



Streetfighter S

Model Year 2013



STREETFIGHTER

Chassis prefix:
Cylinder capacity: 1098

D12000013 - 1098S
SPARE PARTS CATALOGUE
en-US



The present spare parts order exactly the right spare parts.

When ordering specify:

1. the part's code number followed by its description and quantity needed;
2. the motorcycle's serial number, stamped on the steering head.

Reference to right and left apply to the vehicle in terms of its direction of movement.

Spare parts drawings are general and do not represent the part.

The contents of this catalogue are general and can undergo changes without prior notice.

CHARACTERISTICS LEGENDA

CHARACTERISTIC CODE	CHARACTERISTIC DESCRIPTION	VALUE CODE	VALUE DESCRIPTION
MOD	MODEL	F1098S	
XCO	MAIN COLOUR	CG	
XCO	MAIN COLOUR	R	
XCR	FRAME / WHEEL COLOUR	R-B	
XPO	OPTIONS	STD	
XST	STANDARD COUNTRY	AUS	
XST	STANDARD COUNTRY	EUR	
XST	STANDARD COUNTRY	FRA	
XST	STANDARD COUNTRY	JAP	
XST	STANDARD COUNTRY	TWN	



COLOUR	COLOUR CODE	COLOUR DESCRIPTION	FINISHED PRODUCTS
	CG	RACE TITANIUM	(D12005313) F 1098 S 13 EUR CG R-B STD (D12006013) F 1098 S 13 FRA CG R-B STD (D12006113) F 1098 S 13 JAP CG R-B STD (D12006913) F 1098 S 13 AUS CG R-B STD (D12007013) F 1098 S 13 TWN CG R-B STD
	R	RED DUCATI	(D12003313) F 1098 S 13 JAP R R-B STD (D12003713) F 1098 S 13 FRA R R-B STD (D12003913) F 1098 S 13 AUS R R-B STD (D12004013) F 1098 S 13 TWN R R-B STD (D12003113) F 1098 S 13 EUR R R-B STD



General information.....	3
Colours.....	4
Group ELECTRIC.....	8
Drawing 018 - BATTERY [MOD:F1098S;XST:AUS,EUR,FRA,JAP,TWN].....	8
Drawing 020 - HEADLIGHT [MOD:F1098S;XST:AUS,EUR,FRA,JAP,TWN].....	10
Drawing 18A - WIRING HARNESS [MOD:F1098S;XST:AUS,EUR,FRA,JAP,TWN].....	12
Drawing 27A - TAILLIGHT [MOD:F1098S;XST:EUR,FRA,JAP,TWN].....	14
Drawing 27B - TAILLIGHT AUS [MOD:F1098S;XST:AUS].....	16
Group ENGINE.....	18
Drawing 002 - SHIFT CAM - FORK [MOD:F1098S;XST:AUS,EUR,FRA,JAP,TWN].....	18
Drawing 003 - GEAR BOX [MOD:F1098S;XST:AUS,EUR,FRA,JAP,TWN].....	20
Drawing 004 - CLUTCH [MOD:F1098S;XST:AUS,EUR,FRA,JAP,TWN].....	22
Drawing 005 - CLUTCH COVER [MOD:F1098S;XST:AUS,EUR,FRA,JAP,TWN].....	24
Drawing 006 - CRANKSHAFT [MOD:F1098S;XST:AUS,EUR,FRA,JAP,TWN].....	26
Drawing 007 - CYLINDER - PISTON [MOD:F1098S;XST:AUS,EUR,FRA,JAP,TWN].....	28
Drawing 008 - TIMING BELT [MOD:F1098S;XST:AUS,EUR,FRA,JAP,TWN].....	30
Drawing 009 - OIL PUMP - FILTER [MOD:F1098S;XST:AUS,EUR,FRA,JAP,TWN].....	32
Drawing 010 - CRANKCASE [MOD:F1098S;XST:AUS,EUR,FRA,JAP,TWN].....	34
Drawing 011 - GENERATOR COVER - WATER PUMP [MOD:F1098S;XST:AUS,EUR,FRA,JAP,TWN].....	36
Drawing 012 - STARTING MOTOR [MOD:F1098S;XST:AUS,EUR,FRA,JAP,TWN].....	40
Drawing 013 - CAMSHAFT [MOD:F1098S;XST:AUS,EUR,FRA,JAP,TWN].....	42
Drawing 014 - VERTICAL CYLINDER HEAD [MOD:F1098S;XST:AUS,EUR,FRA,JAP,TWN].....	44
Drawing 015 - HORIZONTAL CYLINDER HEAD [MOD:F1098S;XST:AUS,EUR,FRA,JAP,TWN].....	52
Drawing 016 - OIL COOLER [MOD:F1098S;XST:AUS,EUR,FRA,JAP,TWN].....	60
Drawing 017 - THROTTLE BODY [MOD:F1098S;XST:AUS,EUR,FRA,JAP].....	62
Drawing 017 - THROTTLE BODY [MOD:F1098S;XST:TWN].....	64
Drawing 10A - CRANKCASE BEARINGS [MOD:F1098S;XST:AUS,EUR,FRA,JAP,TWN].....	66
Group TOOLS.....	68
Drawing 001 - WORKSHOP SERVICE TOOLS, ENGINE I [MOD:F1098S;XST:AUS,EUR,FRA,JAP,TWN].....	68



Drawing 01A - WORKSHOP SERVICE TOOLS, ENGINE II [MOD:F1098S;XST:AUS,EUR,FRA,JAP,TWN]..... 70

Drawing 01B - WORKSHOP SERVICE TOOLS, FRAME [MOD:F1098S;XST:AUS,EUR,FRA,JAP,TWN]..... 72

Drawing 01C - DDS (2) TESTER [MOD:F1098S;XST:AUS,EUR,FRA,JAP,TWN]..... 74

Group FRAME..... 76

Drawing 019 - EXHAUST SYSTEM [MOD:F1098S;XST:AUS,EUR,FRA,JAP,TWN]..... 76

Drawing 021 - HANDLEBAR [MOD:F1098S;XST:AUS,EUR,FRA,JAP,TWN]..... 80

Drawing 022 - FRAME [MOD:F1098S;XST:AUS,EUR,FRA,JAP,TWN]..... 84

Drawing 023 - CLUTCH MASTER CYLINDER [MOD:F1098S;XST:AUS,EUR,FRA,JAP,TWN]..... 86

Drawing 024 - FRONT BRAKE SYSTEM [MOD:F1098S;XST:AUS,EUR,FRA,JAP,TWN]..... 88

Drawing 025 - REAR BRAKE SYSTEM [MOD:F1098S;XST:AUS,EUR,FRA,JAP,TWN]..... 92

Drawing 026 - WHEELS [MOD:F1098S;XST:AUS,EUR,FRA,JAP,TWN]..... 96

Drawing 027 - REAR FRAME [MOD:F1098S;XST:AUS,EUR,FRA,JAP,TWN]..... 98

Drawing 028 - REAR SHOCK ABSORBER [MOD:F1098S;XST:AUS,EUR,FRA,JAP,TWN]..... 100

Drawing 029 - INTAKE [MOD:F1098S;XST:AUS,EUR,FRA,JAP,TWN]..... 102

Drawing 030 - WATER COOLER [MOD:F1098S;XST:AUS,EUR,FRA,JAP,TWN]..... 104

Drawing 031 - COOLING CIRCUIT [MOD:F1098S;XST:AUS,EUR,FRA,JAP,TWN]..... 106

Drawing 032 - FUEL TANK [MOD:F1098S;XST:AUS,EUR,FRA,JAP]..... 108

Drawing 032 - FUEL TANK [MOD:F1098S;XST:TWN]..... 110

Drawing 033 - SEAT [MOD:F1098S;XST:AUS,EUR,FRA,JAP,TWN]..... 112

Drawing 034 - FAIRING [MOD:F1098S;XST:AUS,EUR,FRA,JAP,TWN]..... 116

Drawing 035 - CANISTER FILTER [MOD:F1098S;XST:TWN]..... 118

Drawing 036 - WARNING LABELS [MOD:F1098S;XST:TWN]..... 120

Drawing 21A - FRONT FORK [MOD:F1098S;XST:AUS,EUR,FRA,JAP,TWN]..... 122

Drawing 22A - SIDE STAND [MOD:F1098S;XST:AUS,EUR,FRA,JAP,TWN]..... 124

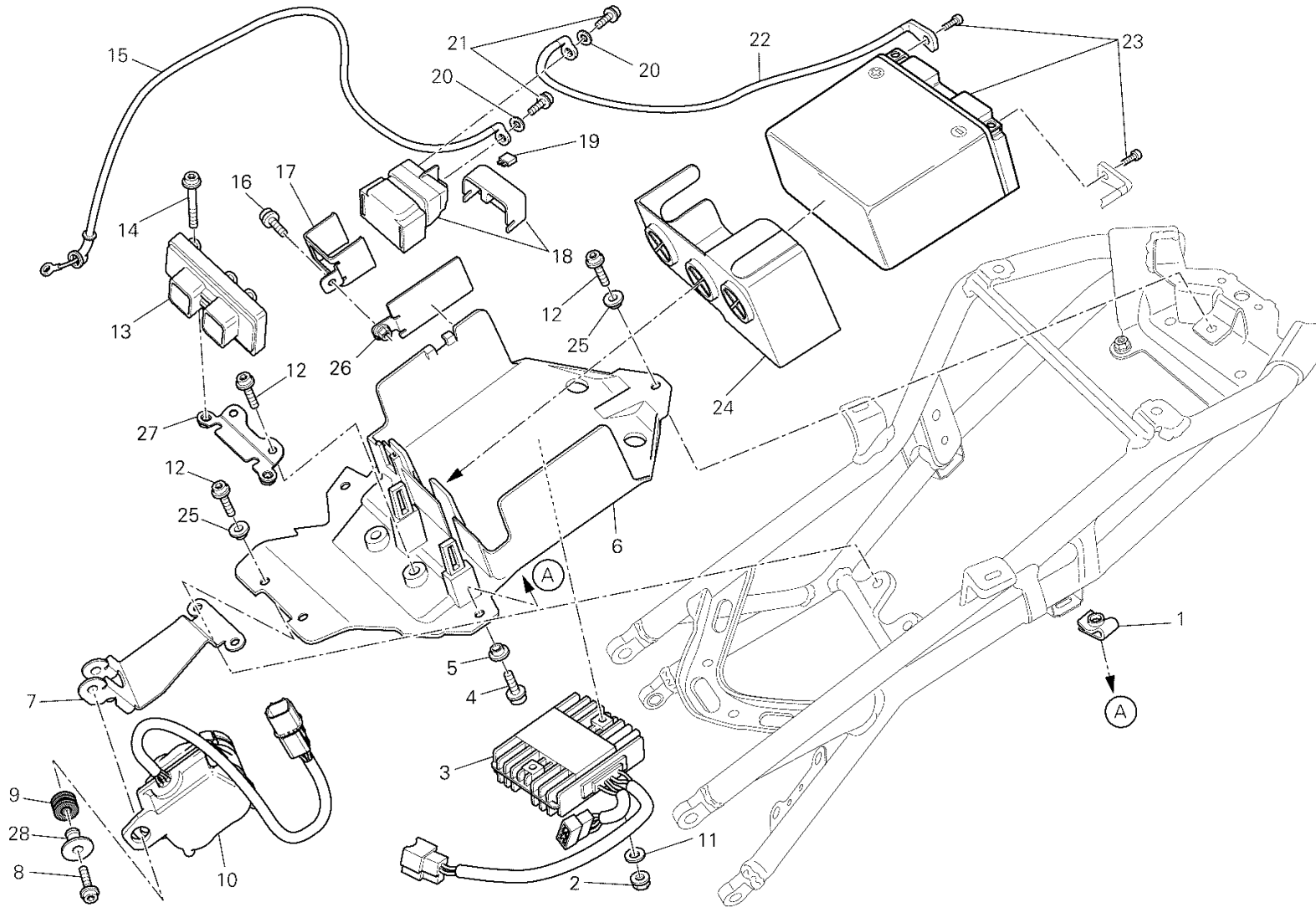
Drawing 26A - REAR WHEEL SPINDLE [MOD:F1098S;XST:AUS,EUR,FRA,JAP,TWN]..... 126

Drawing 28A - SWING ARM [MOD:F1098S;XST:AUS,EUR,FRA,JAP,TWN]..... 128

Drawing 32A - FUEL PUMP [MOD:F1098S;XST:AUS,EUR,FRA,JAP,TWN]..... 130

Alphanumeric index..... 132





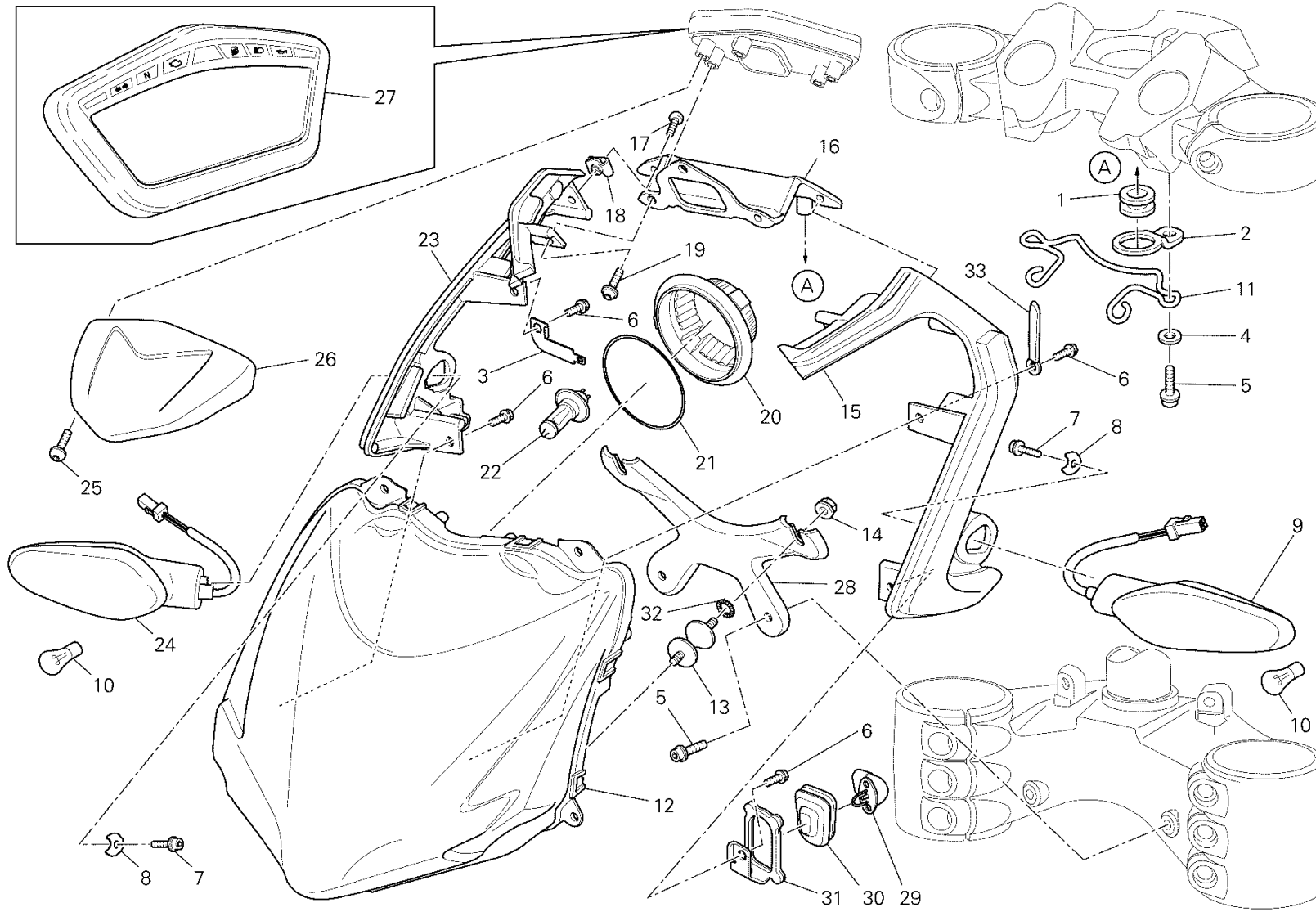
IMP00756

DRAWING 018 - BATTERY [MOD:F1098S;XST:AUS,EUR,FRA,JAP,TWN]

GROUP ELECTRIC



POS.	CODE	DESCRIPTION	QTY	START DATE	END DATE	VALIDITY	NOTES
1	85040551A	QUICK FASTENING	2				
2	75050011B	NUT 6MM	2				
3	54040191A	VOLTAGE REGULATOR	1				
4	77156398B	SCREW TCEIF M5X12	2				
5	71611441A	SPACER	2				
6	82919853A	BATTERY HOLDER	1				
7	8291A682AA	BRACKET	1				
8	77156458B	SCREW TCEIF M5X25	2				
9	76411301B	RUBBER PAD	2				
10	59340392A	ELECTRIC MOTOR, EXHAUST VALVE	1				
11	85211601B	WASHER 6.4X14X1.2	2				
12	77113691A	SCREW TCEIF M6X12	5				
13	28642291A	ENGINE CONTROL UNIT	1				AUS-EUR
	28642291C	ENGINE CONTROL UNIT	1				CHN
	28642291E	ENGINE CONTROL UNIT	1				FRA
	28642291F	ENGINE CONTROL UNIT	1				JAP-TWN
14	77156728B	SCREW TCEIF M6X35	2				
15	51410621A	WIRE STARTER MOTOR	1				
16	77210461B	SCREW TEF M5X8	1				
17	83015491A	BRACKET, STARTER RELAY	1				
18	39740071A	STARTER RELAY	1				
19	38940251A	FUSE 30A	1				
20	85350101A	WASHER, SPRING	2				
21	77156628B	SCREW TCEIF M6X10	2				
22	51410631A	WIRE, BATTERY PLUS LEAD	1				
23	39520132C	BATTERY	1				
24	86610981A	BATTERY CARPET	1				
25	71614011A	SPACER 6.2X8.5X14	3				
26	83015501A	PLATE	1				
27	83015561A	BRACKET ENGINE CONTROL UNIT	1				
28	71614281A	SPACER	2				

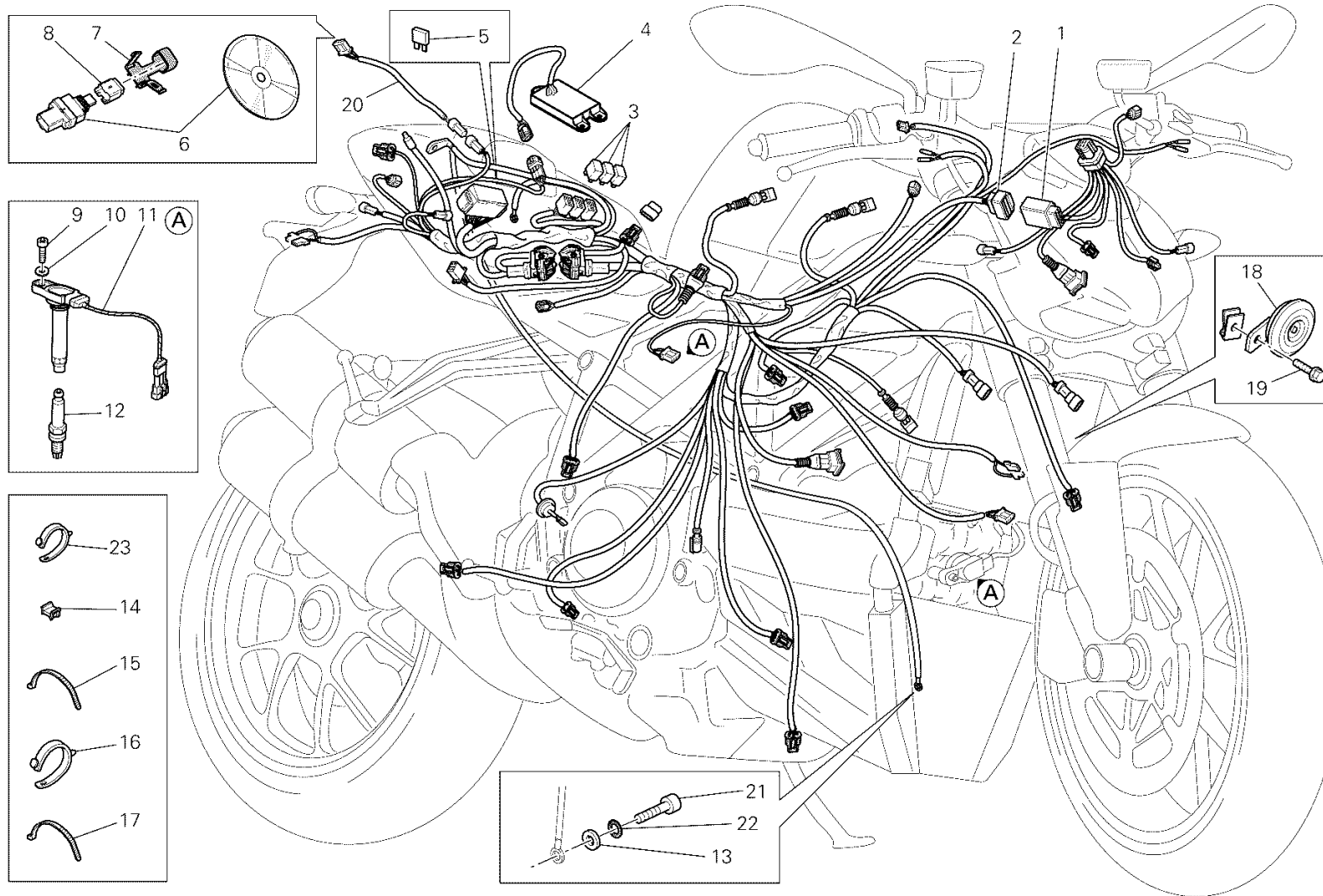


DRAWING 020 - HEADLIGHT [MOD:F1098S;XST:AUS,EUR,FRA,JAP,TWN]

GROUP ELECTRIC



POS.	CODE	DESCRIPTION	QTY	START DATE	END DATE	VALIDITY	NOTES
1	76410641A	VIBRATION DAMPER PAD	2				
2	83014161A	STAY, HEADLIGHT UPPER	2				
3	82715441A	CONNECTOR HOLDER	1				
4	85211761A	WASHER 6.4X12.5X1.6	2				
5	77110391A	SCREW TCEIF M6X16	2				
6	77210611A	SCREW TEF M6X14	4				
7	77156378B	SCREW TCEIF M5X8	2				
8	82714931A	PLATE	2				
9	53010224A	FLASHER LIGHT FRONT LH - REAR RH	1				
10	39040211A	BULB	2				
11	75810321A	FAIRLEAD	1				
12	52010182A	HEADLIGHT FRONT	1				
13	70010481B	DAMPER M6X12	2				
14	75050011B	NUT 6MM	2				
15	82919821A	BRACKET, HEADLIGHT LH	1				
16	82919741A	BRACKET, HEADLIGHT	1				
17	77510331A	SCREW TBEI M5X12	2				
18	85040471A	QUICK FASTENING M5	2				
19	77440041A	SCREW, TAPPING M5X16	3				
20	39040261A	COVER, SOCKET	1				
21	39040271A	GASKET	1				
22	39040291A	BULB	1				
23	82919831A	BRACKET, HEADLIGHT RH	1				
24	53010234A	FLASHER LIGHT FRONT RH- REAR LH	1				
25	77550013C	SCREW TBEI M4X12	2				
26	24713351A	COVER, METER	1				
27	40610972B	INSTRUMENT PANEL	1				
28	83014111A	STAY, HEADLIGHT LOWER	1				
29	55240121A	SENSOR, AIR TEMPERATURE	1				
30	76410971A	RUBBER PAD	1				
31	82715381A	BRACKET, SENSOR TEMPERATURE	1				
32	85550001B	ALUMINIUM GASKET	2				
33	74141931A	BRACKET	1				



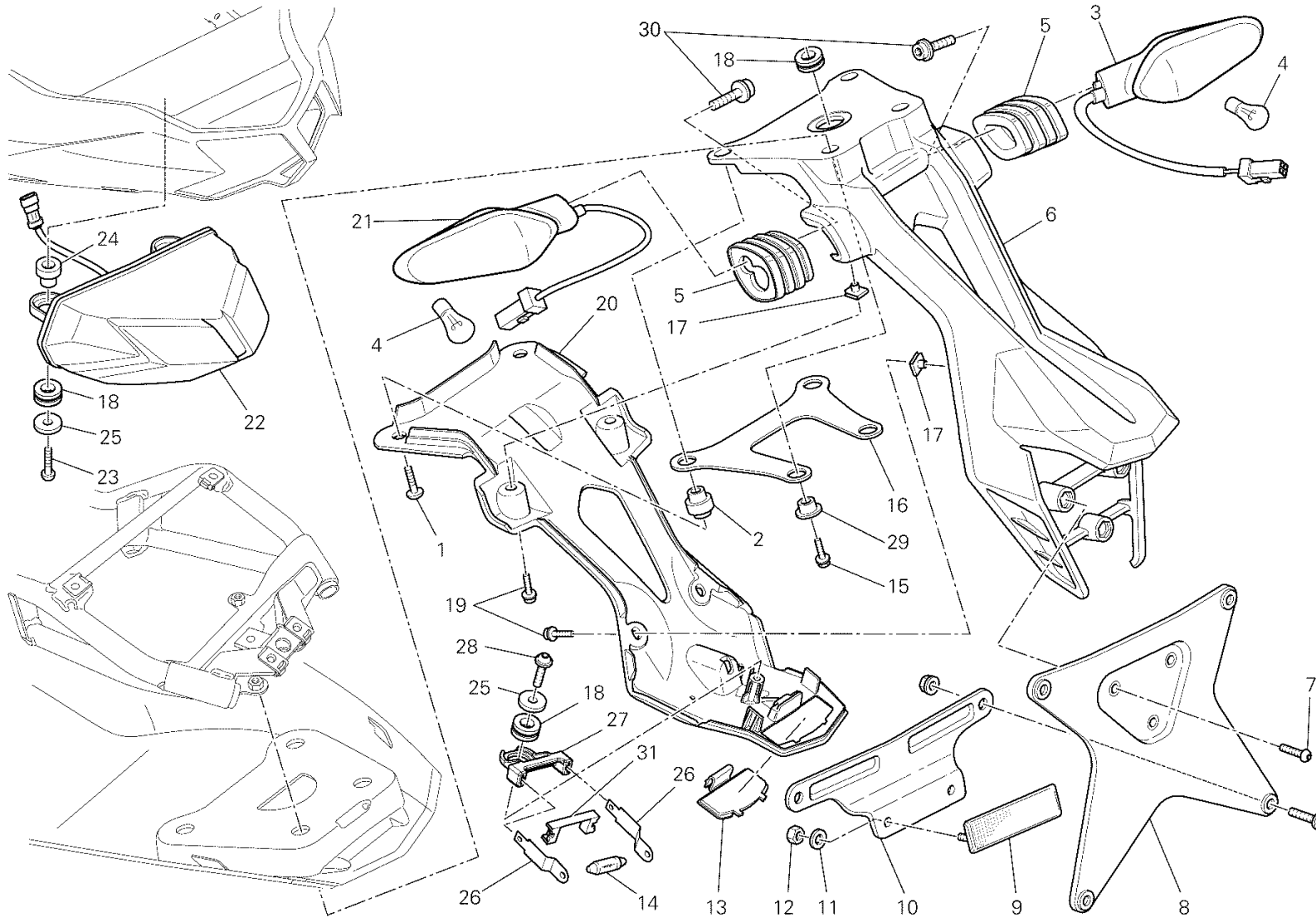
IMP00757

DRAWING 18A - WIRING HARNESS [MOD:F1098S;XST:AUS,EUR,FRA,JAP,TWN]

GROUP ELECTRIC



POS.	CODE	DESCRIPTION	QTY	START DATE	END DATE	VALIDITY	NOTES
1	51016941C	ELECTRIC WIRING FRONT	1				
2	51017761A	ELECTRIC WIRING	1				
3	54140101A	RELAY	3				
4	28611172E	CONTROLLER DIAGNOSTIC TROUBLE CODE	1				
5	38940191A	FUSE 5A	2				
	38940201A	FUSE 10A	1				
	38940211A	FUSE 15A	1				
	38940221A	FUSE 20A	1				
	38940241A	FUSE 7,5A	1				
6	28620401B	DATA ACQUISITION KIT	1				
7	74110401A	CLAMP	1				
8	87210532A	CAP DDA	1				
9	77150663B	SCREW	2				
10	85212641A	WASHER 6.4X12.5X1.6	2				
11	38010145B	IGNITION COIL	2				
12	67040381A	SPARK PLUG NGK MAR10A-J	2				
13	85350091A	WASHER, SPRING	1				
14	85040671A	CLAMP TUCKER	11				
15	74140381A	CLAMP	19				
16	800053724	CLAMP 39MM	10				
17	069191030	CLAMP	23				
18	51640042B	HORN	1				
19	77210501C	SCREW TEF M6X12	1				
20	51015701A	DATA ACQUISITION CABLE	1				
21	77110518B	SCREW TCEI M6X25	1				
22	85550001B	ALUMINIUM GASKET	1				
23	74110121A	CLAMP, RUBBER 62MM	6				



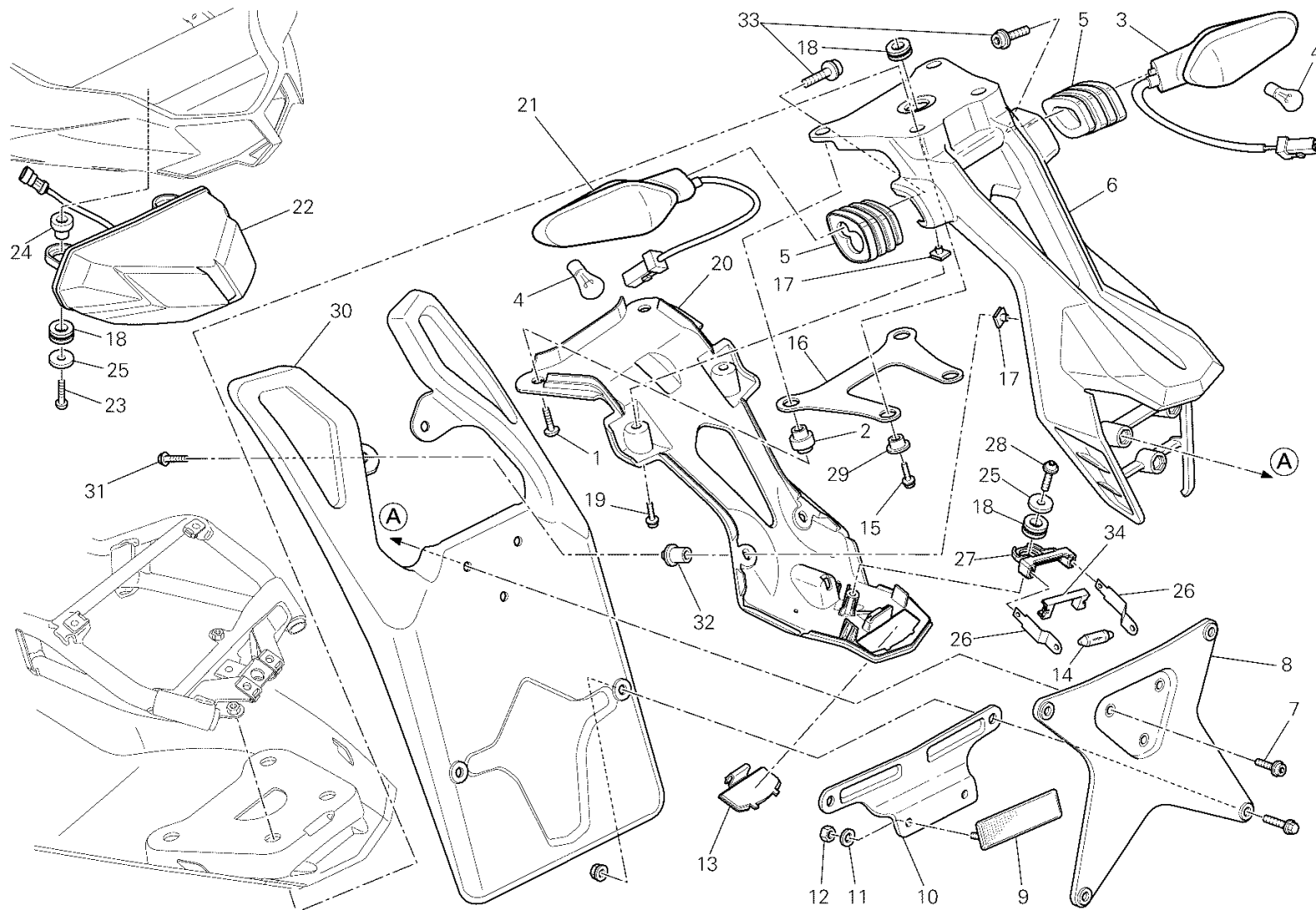
TEL00630

DRAWING 27A - TAILLIGHT [MOD:F1098S;XST:EUR,FRA,JAP,TWN]

GROUP ELECTRIC



POS.	CODE	DESCRIPTION	QTY	START DATE	END DATE	VALIDITY	NOTES
1	77211011B	SCREW TBEI M6X30	2				
2	71611541A	PLATE HOLDER SPACER	2				
3	53010224A	FLASHER LIGHT FRONT LH - REAR RH	1				
4	39040211A	BULB	2				
5	71314702A	SPACER	2				
6	82919811A	PLATE HOLDER	1				
7	77550131A	SCREW	3				
8	56110261A	NUMBER PLATE HOLDER	1				
9	52910061B	REFLEX REFLECTOR, REAR	1				
10	82712981B	BRACKET, REFLECTOR	1				
11	85250011C	WASHER 4.3X9X0.8	2				
12	74950011B	NUT, SPRING	2				
13	24713331A	LENS, LICENCE LIGHT	1				
14	39040162A	BULB 12V-5W C5W	1				
15	77251018B	SCREW TEF M6X20	2				
16	82919801A	STAY COMP.	1				
17	85040471A	QUICK FASTENING M5	5				
18	76410901A	RUBBER PAD	4				
19	77350393B	SCREW TCEIR M5X12	5				
20	24713451A	MUDFLAP	1				
21	53010234A	FLASHER LIGHT FRONT RH- REAR LH	1				
22	52510372A	TAILLIGHT	1				
23	77510451A	SCREW TBEI M5X25	2				
24	71614181A	SPACER	2				
25	85241731A	WASHER 5.5X20X1.5	3				
26	39110033A	BLADE	2				
27	83015483A	BRACKET	1				
28	77440061A	SCREW, TAPPING 4.5X16	1				
29	71611551A	SPACER 6.5X11X17	2				
30	77156398B	SCREW TCEIF M5X12	2				
31	71319241A	SPACER	1				



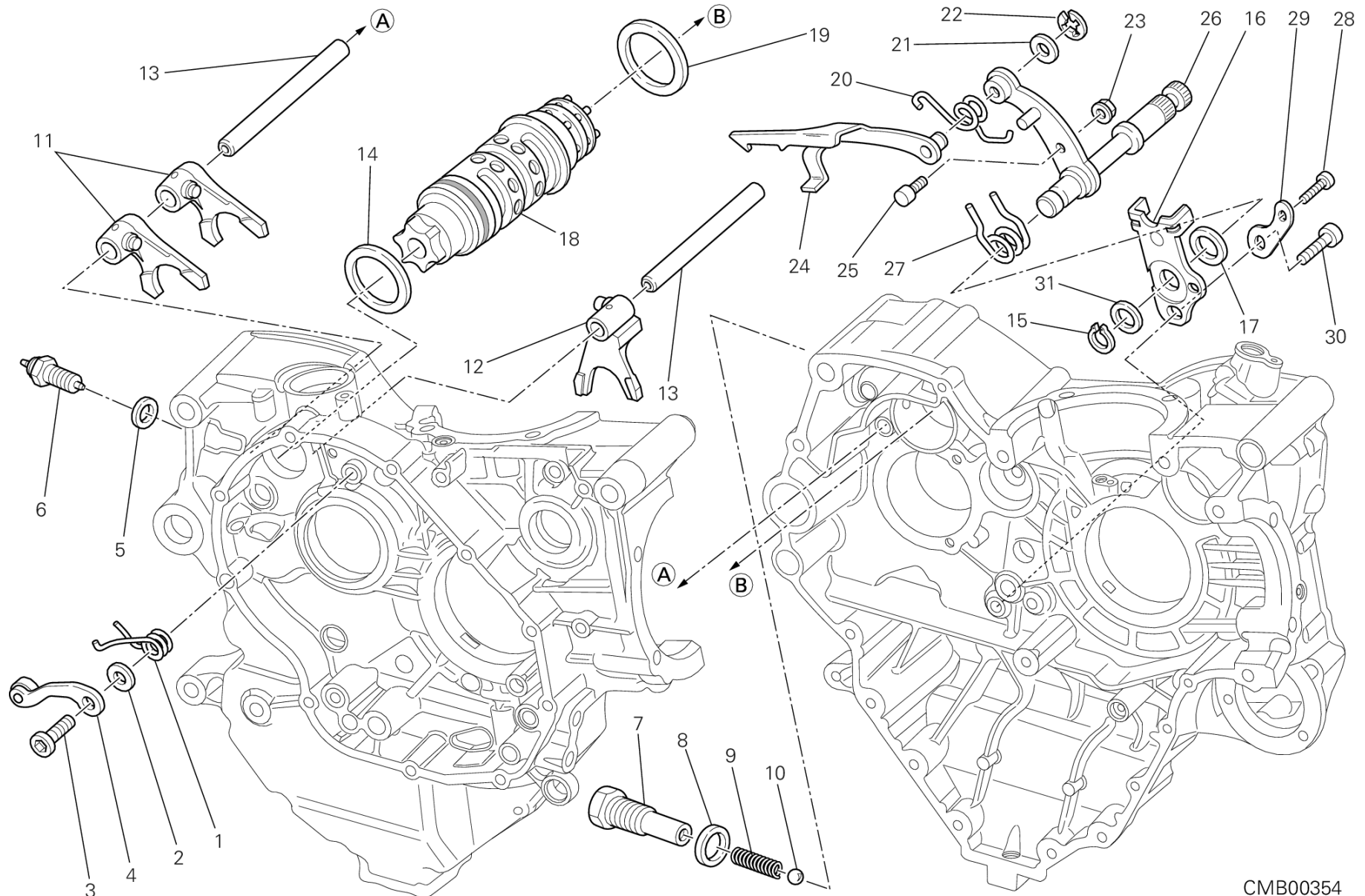
TEL00696

DRAWING 27B - TAILLIGHT AUS [MOD:F1098S;XST:AUS]

GROUP ELECTRIC



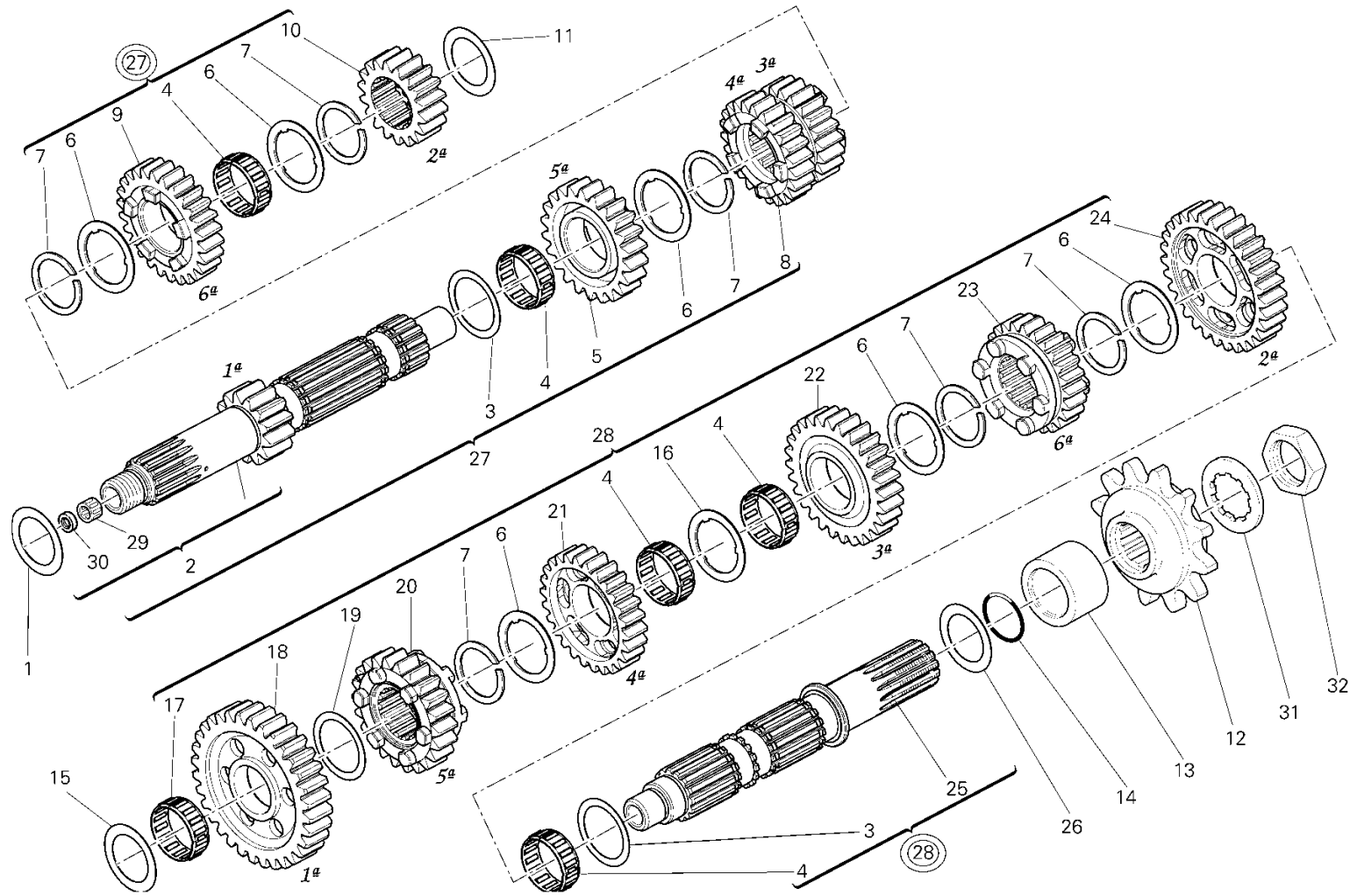
POS.	CODE	DESCRIPTION	QTY	START DATE	END DATE	VALIDITY	NOTES
1	77211011B	SCREW TBEI M6X30	2				
2	71611541A	PLATE HOLDER SPACER	2				
3	53010224A	FLASHER LIGHT FRONT LH - REAR RH	1				
4	39040211A	BULB	2				
5	71314702A	SPACER	2				
6	82919811A	PLATE HOLDER	1				
7	77110391A	SCREW TCEIF M6X16	3				
8	56110261A	NUMBER PLATE HOLDER	1				
9	52910061B	REFLEX REFLECTOR, REAR	1				
10	82712981B	BRACKET, REFLECTOR	1				
11	85250011C	WASHER 4.3X9X0.8	2				
12	74950011B	NUT, SPRING	2				
13	24713331A	LENS, LICENCE LIGHT	1				
14	39040162A	BULB 12V-5W C5W	1				
15	77251018B	SCREW TEF M6X20	2				
16	82919801A	STAY COMP.	1				
17	85040471A	QUICK FASTENING M5	5				
18	76410901A	RUBBER PAD	1				
19	77350393B	SCREW TCEIR M5X12	3				
20	24713451A	MUDFLAP	1				
21	53010234A	FLASHER LIGHT FRONT RH- REAR LH	1				
22	52510372A	TAILLIGHT	1				
23	77510451A	SCREW TBEI M5X25	2				
24	71614181A	SPACER	2				
25	85241731A	WASHER 5.5X20X1.5	3				
26	39110033A	BLADE	2				
27	83015483A	BRACKET	1				
28	77440061A	SCREW, TAPPING 4.5X16	1				
29	71611551A	SPACER 6.5X11X17	2				
30	46013921A	MUDFLAP	1				
31	77240333C	SCREW	2				
32	71314431A	SPACER	2				
33	77156398B	SCREW TCEIF M5X12	2				
34	71319241A	SPACER	1				



CMB00354



POS.	CODE	DESCRIPTION	QTY	START DATE	END DATE	VALIDITY	NOTES
1	79910491A	SPRING, RETURN	1				
2	85210532A	WASHER 8.2X20X1	1				
3	77910391A	SCREW M8X21.5	1				
4	45520181A	GEAR FIXING CLICK ASSEMBLY	1				
5	85250241A	WASHER 10X14X1	1				
6	53910211B	NEUTRAL SWITCH ASSY	1				
7	77912033A	SCREW M16X1.5	1				
8	027291090	GASKET 16.2X24X2	1				
9	066013143	GEAR SELECTOR SPRING	1				
10	768351134	BALL 11MM	1				
11	180Z0031A	GEAR SELECTOR FORK,1ST/4TH-2ND/3RD	2				
12	180Z0041A	FORK-SHIFT, 5TH&6TH	1				
13	82112681A	AXLE, GEAR SHIFT FORK	2				
14	85210051A	THRUST WASHER 1 MM	1				
15	735001542	CIRCLIP 15 DIN 471	1				
16	82610293A	STOPPER PLATE	1				
17	88110121A	CENTERING RING	1				
18	182Z0042A	COMPLETE GEARBOX DRUM	1				
19	85210941A	THRUST WASHER 45.2X49X0.9	1				
20	79914821A	RETURN SPRING	1				
21	040009050	THRUST WASHER 10.5X16X0.5	1				
	076592205	THRUST WASHER 10.5X15X0.2	2				
22	88450341B	SPRING RING	1				
23	74810401A	NUT, FLANGE	1				
24	18010081A	CONTROL FORK	1				
25	066013165	GEARCHANGE LEVER PIN	1				
26	82110011A	GEAR SELECTOR SHAFT	1				
27	079913110	SPRING, SHIFT RETURN	1				
28	77150670ZF	SCREW	1				
29	71319151A	SPACER	1				
30	77151250ZF	SCREW	1				
31	040029125	THRUST WASHER 15.5X22X0.2	2				
	040029126	THRUST WASHER 15.5X22X0.5	1				



CMB00208

Streetfighter S /13

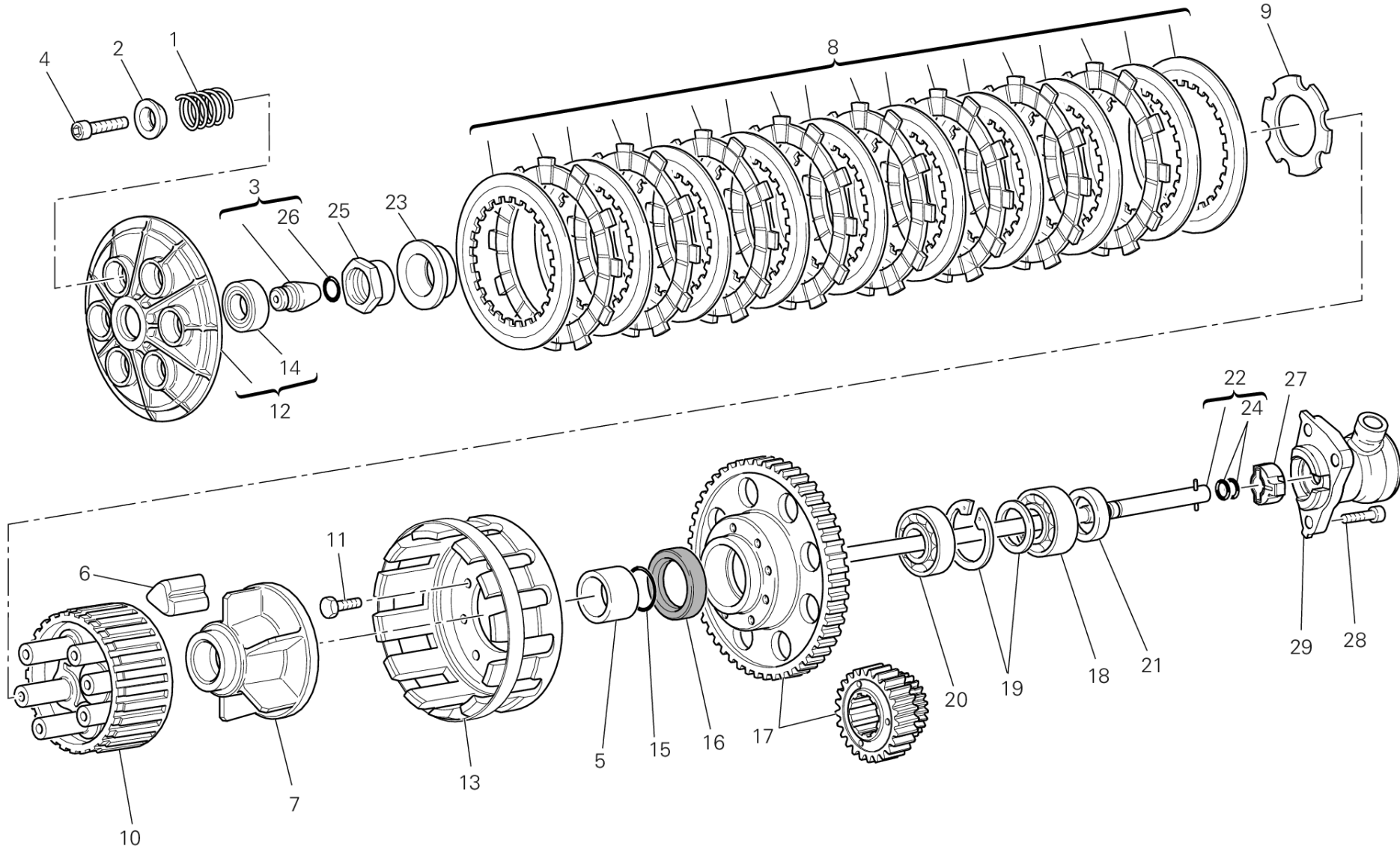
012000013 - 1098S

DRAWING 003 - GEAR BOX [MOD:F1098S;XST:AUS,EUR,FRA,JAP,TWN]

GROUP ENGINE



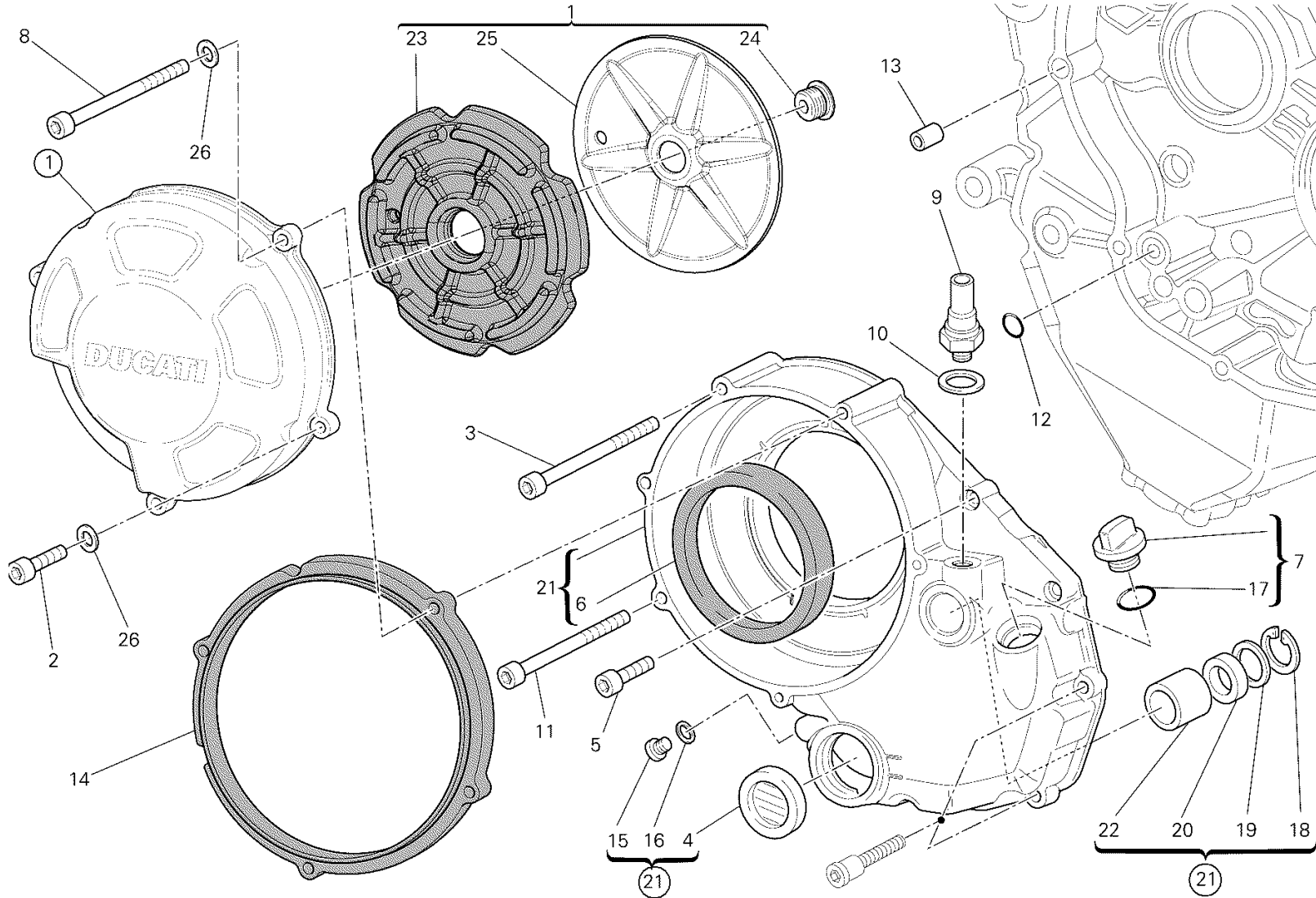
POS.	CODE	DESCRIPTION	QTY	START DATE	END DATE	VALIDITY	NOTES
1	025147054	THRUST WASHER 25.2X32.5X1.2	1				
2	15021051A	MAIN SHAFT T15	1				
3	067016150	THRUST WASHER 0.5 MM	2				
4	70140051A	BEARING, NEEDLE	5				
5	17210043C	GEAR DRIVE 5TH SPEED T23	1				
6	85610011A	THRUST WASHER 0.5 MM	6				
7	067016145	SPRING RING	6				
8	17210033C	GEAR DRIVE 3/4TH SPEED T20/22	1				
9	17210053C	GEAR DRIVE 6TH SPEEDT24	1				
10	17210021B	GEAR, 2ND DRIVE, NT:17	1				
11	71310141E	THRUST WASHER 20.3X32X1.6	1				
12	44910531A	SPROCKET T15	1				
13	71313931A	SPACER, ENGINE SPROCKET	1				
14	46320537A	O-RING	1				
15	71312661A	THRUST WASHER 17.3X31X3.15	1				
16	85610311A	THRUST WASHER 0.5 MM	1				
17	764020002	BEARING, NEEDLE	1				
18	17212182A	DRIVEN GEAR 1ST SPEED T37	1				
19	067016155	THRUST WASHER 1 MM	1				
20	17210103C	DRIVEN GEAR 5TH SPEED T24	1				
21	17210092C	DRIVEN GEAR 4TH SPEED	1				
22	17210081C	DRIVEN GEAR 3RD SPEED T28	1				
23	17210113C	DRIVEN GEAR 6TH SPEED T23	1				
24	17212192A	DRIVEN GEAR 2ND SPEED T30	1				
25	14910611A	LAY SHAFT	1				
26	067016170	THRUST WASHER 0.8 MM	1				
27	15021061A	COMPLETE MAIN SHAFT	1				
28	15020923A	COMPLETE LAY SHAFT	1				
29	70250441A	BEARING, NEEDLE	1				
30	93040022A	SEAL RING	1				
31	85110041A	WASHER, LOCK	1				
32	75010071A	NUT M25X1.5	1				



CMB00356



POS.	CODE	DESCRIPTION	QTY	START DATE	END DATE	VALIDITY	NOTES
1	79912531A	CLUTCH SPRING	6				
2	84110511B	SEAT, CLUTCH SPRING	6				
3	81820091A	PUSH ROD	1				
4	77150438B	SCREW TCEI M5X20	6				
5	71313933A	SPACER	1				
6	76410032B	RUBBER PAD	12				
7	16210011C	BOSS, RUBBER COUPLING	1				
8	19020203A	CLUTCH DISC SET	1				
9	85110011B	WASHER	1				
10	19610011D	BOSS, CLUTCH	1				
11	706108120	SCREW M8X20	8				
12	19420431A	PLATE PRESSURE	1				
13	198Z0011A	CLUTCH HOUSING	1				
14	70250531A	BEARING	1				
15	46320537A	O-RING	1				
16	93040351A	SEAL, OIL 35X47X7	1				
17	170Z0041A	CLUTCH/CRANKSHAFT GEARS	1				
18	70250511A	BEARING 25X47X12	1				
19	88120011A	CIRCLIP	1				
20	70240171A	BEARING 25X30X17	1				
21	066016145	SPACER 25.2X33.7X2.8	1				
22	11721122A	CLUTCH CONTROL ROD	1				
23	71011271A	SPINDLE, TAPER	1				
24	88641731A	O-RING 1.78X4.76	2				
25	75010451A	NUT	1				
26	88641181A	O-RING	1				
27	71319261A	ANTI-ROTATION INSERT	1				
28	77150652BB	SCREW TCEI M6X16	3				
29	19540031C	PISTON ASSEMBLY	1				



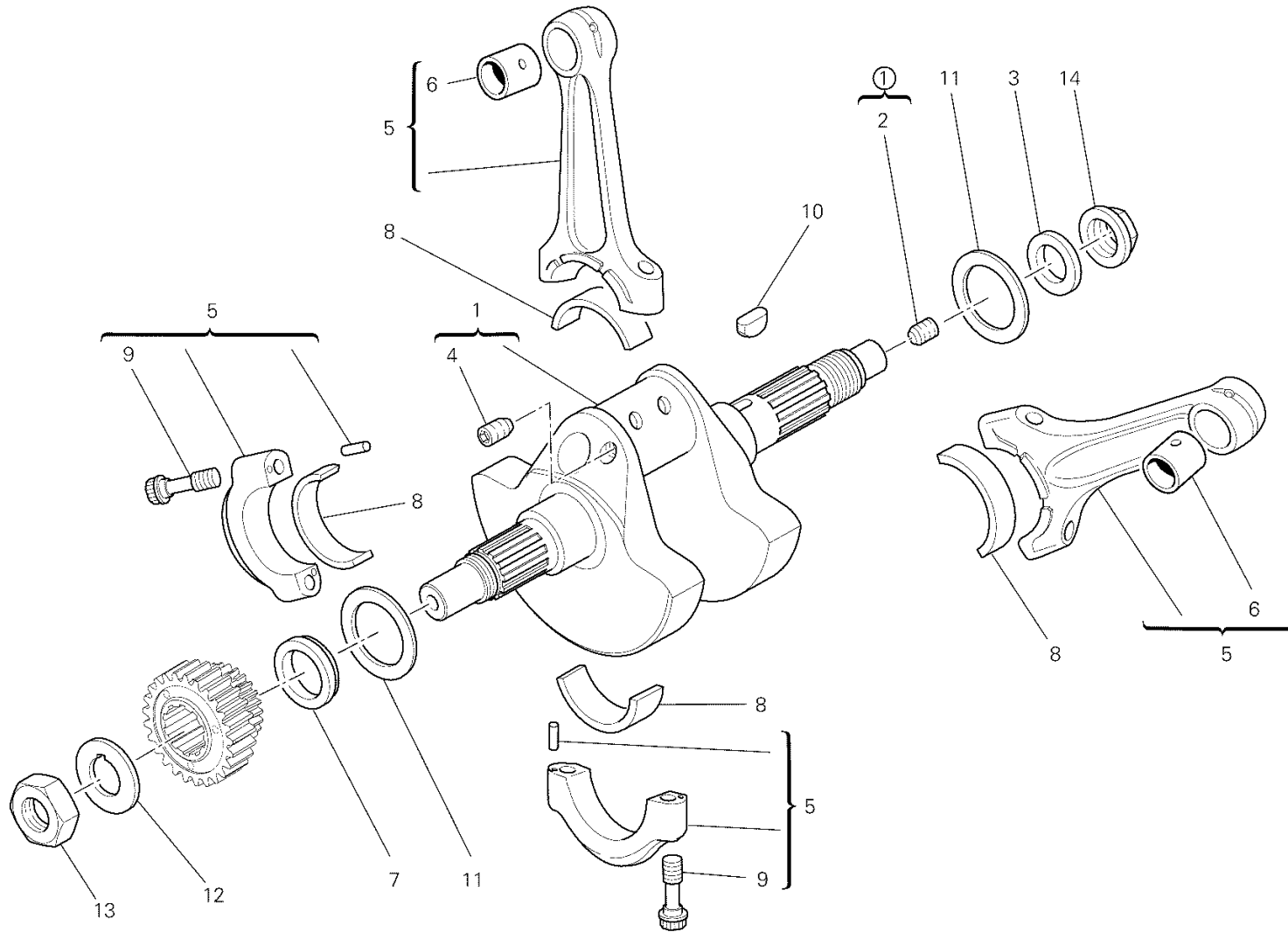
CRT00521

DRAWING 005 - CLUTCH COVER [MOD:F1098S;XST:AUS,EUR,FRA,JAP,TWN]

GROUP ENGINE



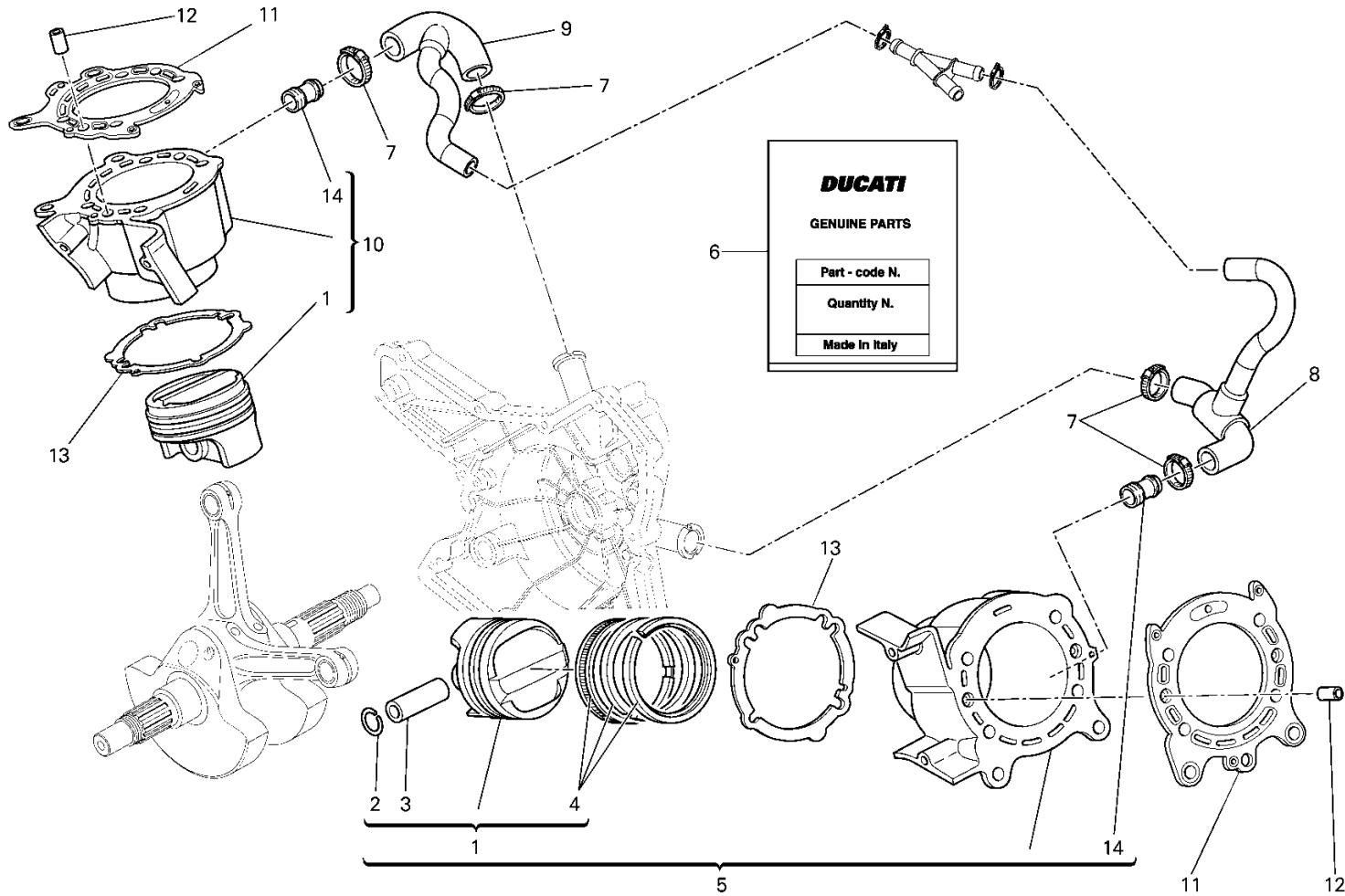
POS.	CODE	DESCRIPTION	QTY	START DATE	END DATE	VALIDITY	NOTES
1	24321251B	COVER CLUTCH SIDE BLACK	1				
2	77113791A	SCREW	2				
3	77150783B	SCREW	1				
4	25440012A	WINDOW, OIL LEVEL CHECK	1				
5	77150693B	SCREW	4				
6	93040341A	SEAL, OIL 75X95X12	1				
7	89320131A	OIL FILLING CAP	1				
8	77113781A	SCREW	2				
9	53940302A	SWITCH ASSY, OIL PRESSURE	1				
10	85211951A	GASKET 10.5X17X2	1				
11	77150793B	SCREW	1				
12	88641321A	O-RING 11.11X1.78	1				
13	71111601A	PIN DOWEL	1				
14	78811063A	CLUTCH COVER GASKET	1				
15	78050012A	PLUG, THREADED M10X1	1				
16	85250241A	WASHER 10X14X1	1				
17	938233075	O-RING 18.72X2.62	1				
18	88450131A	CIRCLIP	1				
19	85211351A	THRUST WASHER 20.8X37.8X1	1				
20	93040211A	OIL SEAL	1				
21	24321151BE	COVER CLUTCH SIDE BLACK	1				
22	066549680	BUSH	1				
23	48610821A	INSULATING PANEL	1				
24	77915011A	SCREW	1				
25	82714331A	PLATE, SOUND ARRESTER DAMPER	1				
26	85212641A	WASHER 6.4X12.5X1.6	4				



IMB00170



POS.	CODE	DESCRIPTION	QTY	START DATE	END DATE	VALIDITY	NOTES
1	14621431B	CRANKSHAFT	1				
2	77911092A	SCREW, SPECIAL	1				
3	85212691A	WASHER	1				
4	77915471A	THREADED DOWEL STEI M8X8	2				
5	15820203A	CONNECTING RODS PAIR	1				
6	71110891A	PLANE BEARING, CONNECTING ROD	2				
7	71010611A	SPACER	1				
8	11210121AB	PLANE BEARING, CONNECTING ROD BLUE	2				
	11210121AC	PLANE BEARING, CONNECTING ROD YELLOW	2				
9	77914043B	BOLT, CONNECTING ROD	4				
10	68010131A	KEY, WOODRUFF 4X5X10	1				
11	85211041H	THRUST WASHER 50X35X2.25	2				
	85211042A	THRUST WASHER 50X35X1.9	2				
	85211042B	THRUST WASHER 50X35X1.95	2				
	85211042C	SHIM 50X35X2	2				
	85211042D	THRUST WASHER 50X35X2.05	2				
	85211042E	THRUST WASHER 50X35X2.1	2				
	85211042F	THRUST WASHER 50X35X2.15	2				
	85211042G	THRUST WASHER 50X35X2.2	2				
	85211042I	THRUST WASHER 50X35X2.3	2				
	85211042J	THRUST WASHER 50X35X2.35	2				
	85211042K	SHIM TH. 2,4	2				
	85211042L	SHIM TH. 2,45	2				
	85211042M	SHIM TH. 2.5	2				
	85211042N	SHIM TH. 2.55	2				
12	85110101A	WASHER, LOCK	1				
13	75010571A	NUT M24X1	1				
14	75010121D	NUT, SPECIAL	1				



IMB00133

Streetfighter S /13

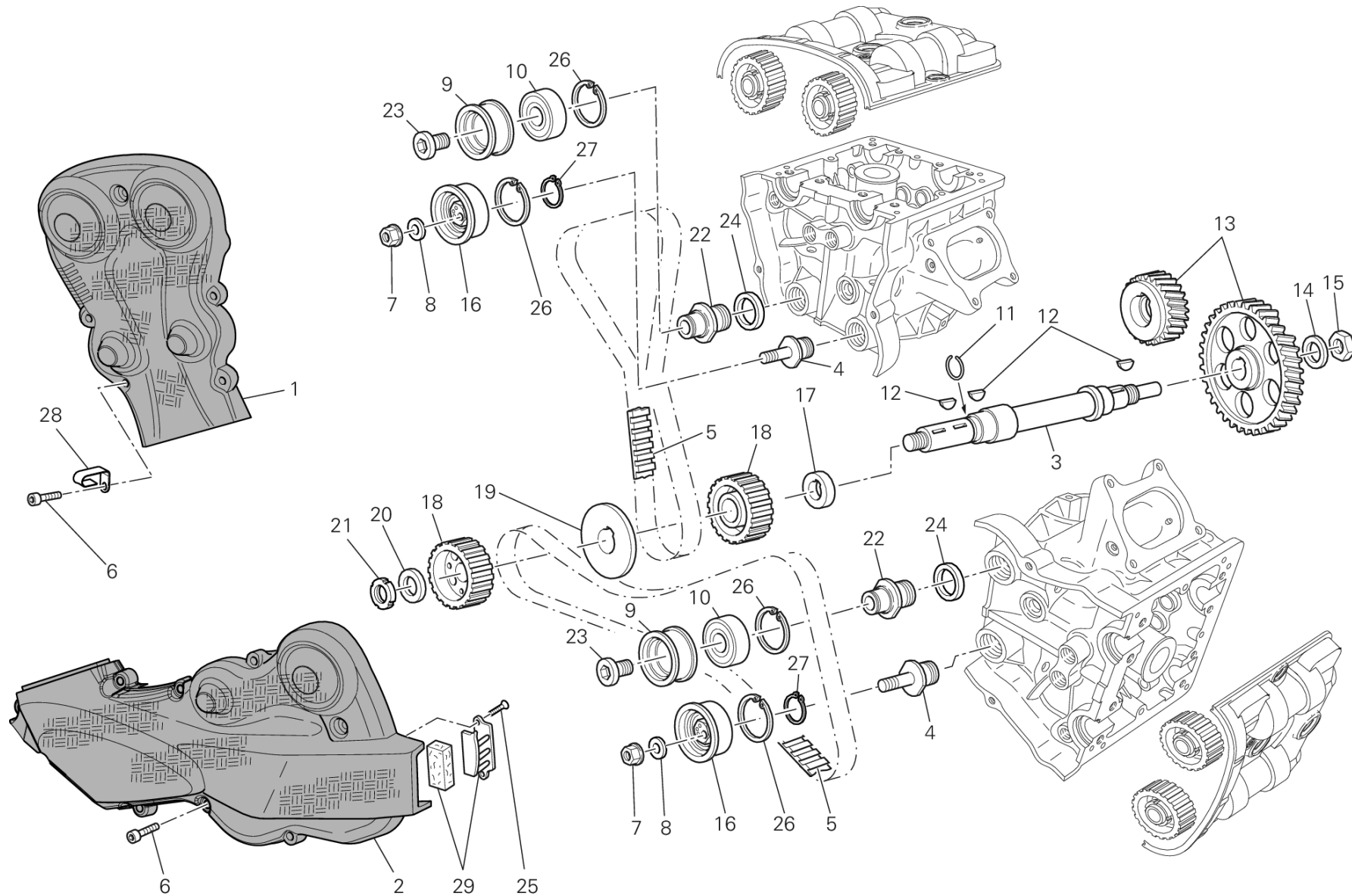
012000013 - 1098S

DRAWING 007 - CYLINDER - PISTON [MOD:F1098S;XST:AUS,EUR,FRA,JAP,TWN]

GROUP ENGINE



POS.	CODE	DESCRIPTION	QTY	START DATE	END DATE	VALIDITY	NOTES
1	12221672A	PISTON ASSY	2				
2	12110791A	CIRCLIP, PISTON PIN	4				
3	12110781B	PISTON PIN	2				
4	12120512A	PISTON RING SET	2				
5	120Z0031B	HORIZONTAL CYLINDER WITH PISTON	1				
6	79120441A	GASKET SET	1				
7	74141921A	CLAMP 16-27 MM	4				
8	80011743A	HORIZONTAL CYLINDER WATER INLET HOSE	1				
9	80011752A	HOSE, WATER INLET VERTICAL CYLINDER	1				
10	120Z0041B	VERTICAL CYLINDER-PISTON ASSY	1				
11	78610922A	GASKET, CYLINDER HEAD	2				
12	71112191A	PIN DOWEL	4				
13	78610941A	GASKET, CYLINDER	2				
14	66810014A	WATER PUMP DELIVERY PIPE UNION	2				



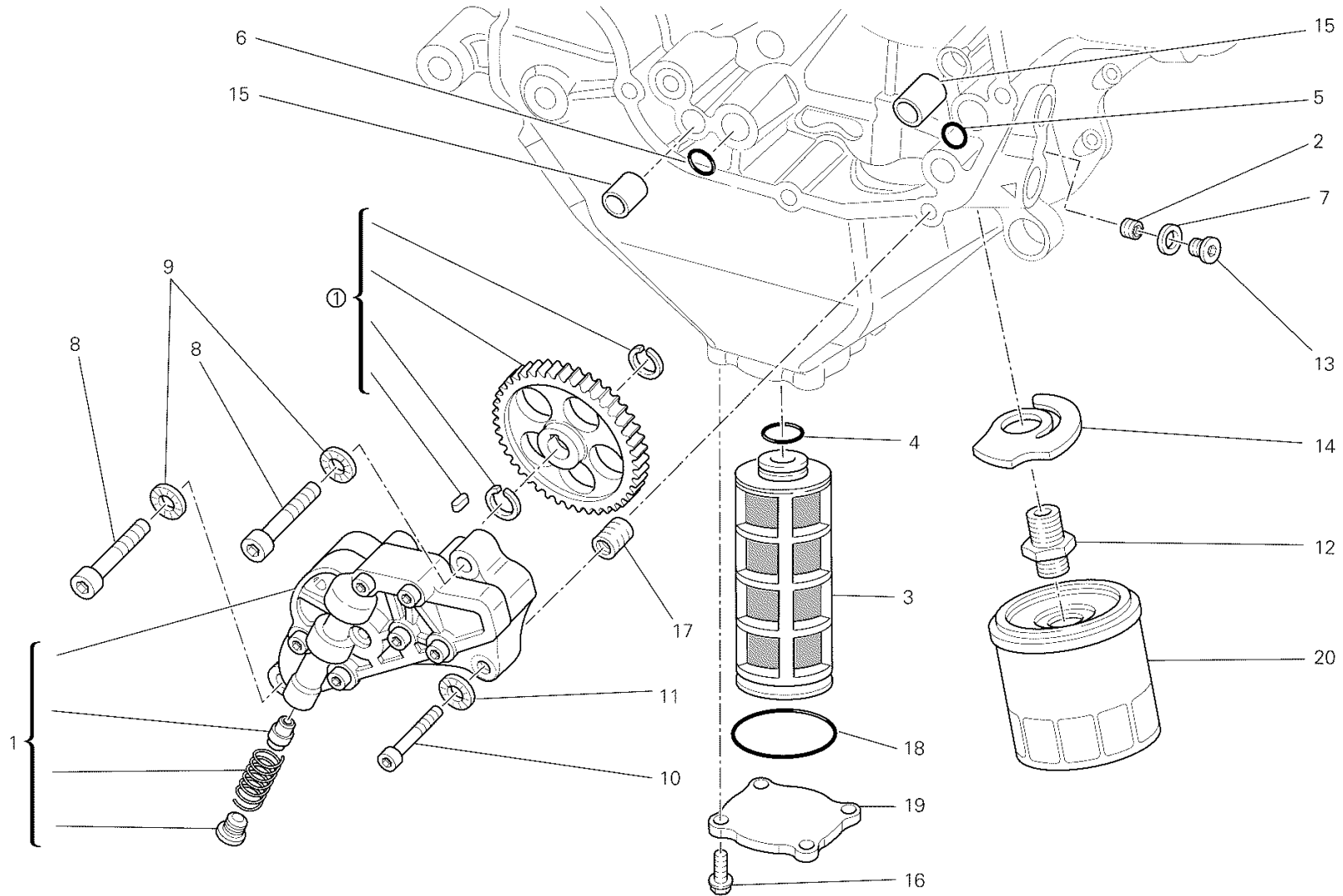
TST00478

DRAWING 008 - TIMING BELT [MOD:F1098S;XST:AUS,EUR,FRA,JAP,TWN]

GROUP ENGINE



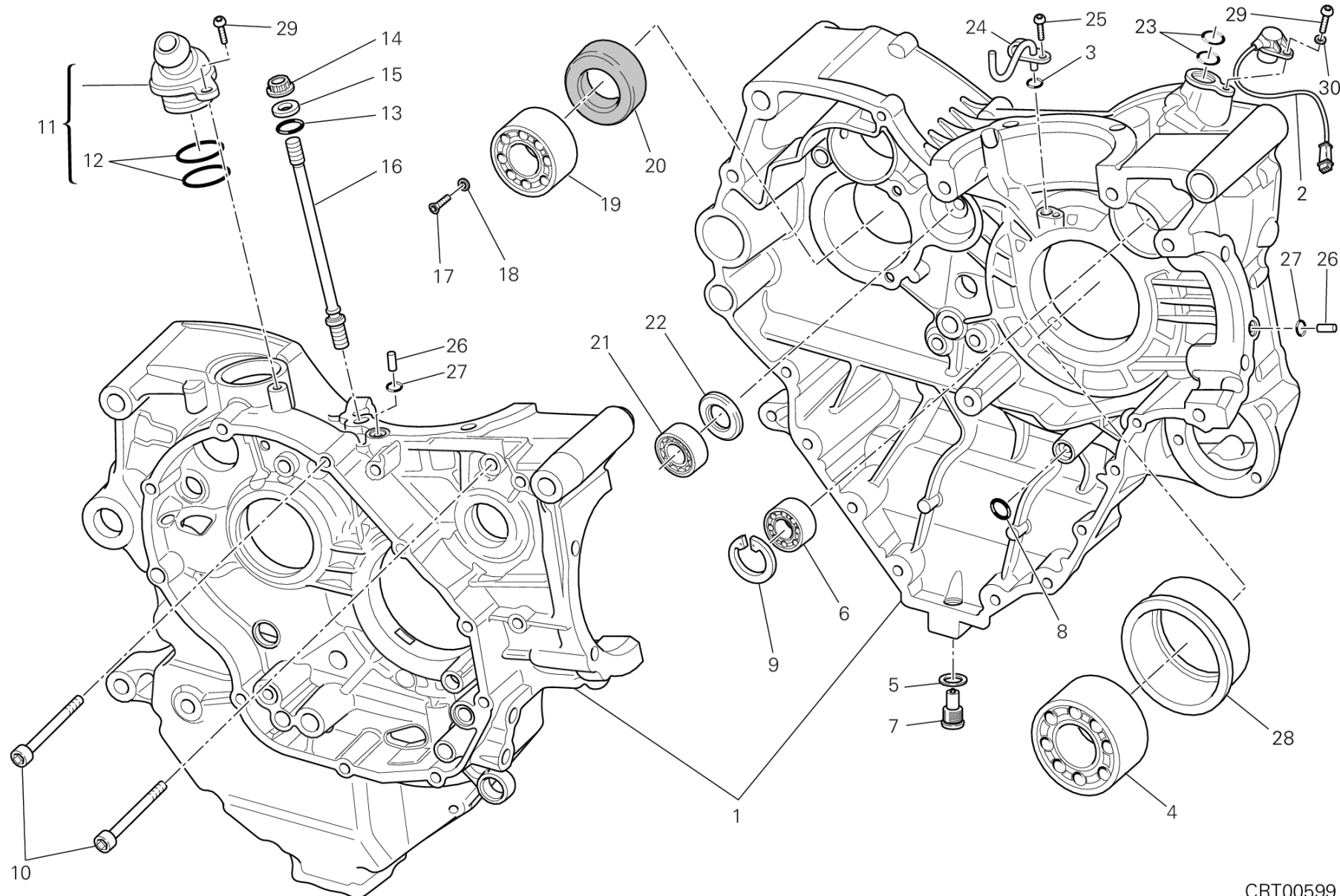
POS.	CODE	DESCRIPTION	QTY	START DATE	END DATE	VALIDITY	NOTES
1	24511091A	COVER, TIMING BELT INSIDE	1				
2	24511081A	HORIZONTAL BELT EXTERNAL COVER	1				
3	14710142A	LAYSHAFT TIMING	1				
4	45110461A	TENSIONER ROLLER PIN	2				
5	73740251A	TIMING DRIVE TOOTHED BELT	2				
6	77113801A	SCREW	13				
7	74940081A	NUT M8	2				
8	85211741A	WASHER 8X18X1.4	2				
9	45110182A	SPINDLE, TAPER	2				
10	70240581A	BEARING	2				
11	88210031A	SNAP RING	1				
12	68010131A	KEY, WOODRUFF 4X5X10	3				
13	171Z0031A	TIMING GEARS SET	1				
14	85110131A	WASHER, LOCK	1				
15	75011601A	NUT M14X1X7	1				
16	45120241A	COMPLETE MOVABLE TENSIONER ROLLER	2				
17	71611281A	SPACER	1				
18	25510104B	PULLEY, TIMING BELT	2				
19	85610622A	WASHER, BELT PULLEY	1				
20	71610722A	SPACER	1				
21	70350062A	ELASTIC-STOP RING NUT	1				
22	45110171A	STRETCHING PIN	2				
23	77911871A	SCREW	2				
24	71314091A	SPACER	2				
25	77250341C	SCREW	2				
26	735033804	CIRCLIP	4				
27	735002054	SPRING RING	2				
28	83014941B	CLAMP, WIRE	1				
29	24521071A	BRACKET, FILTER	1				



RAF00440



POS.	CODE	DESCRIPTION	QTY	START DATE	END DATE	VALIDITY	NOTES
1	174Z0021A	OIL PUMP	1				
2	77840041A	THREADED DOWEL M10X1	1				
3	89410201A	STRAINER, OIL	1				
4	88640331A	O-RING 17.96X2.62	1				
5	88641321A	O-RING 11.11X1.78	1				
6	88640371A	O-RING 14X1.78	1				
7	85211951A	GASKET 10.5X17X2	1				
8	77151298B	SCREW TCEI M8X40	2				
9	85211741A	WASHER 8X18X1.4	2				
10	77110518B	SCREW TCEI M6X25	1				
11	85211721A	WASHER 6X14.2X1.3	1				
12	81510281A	BOLT UNION	1				
13	77911622A	SCREW TCEI M10X1.5X16	1				
14	79920772A	BYPASS SPRING	1				
15	075949280	LOCATING DOWEL	2				
16	77210601A	SCREW TEF M6X16	4				
17	067049310	BUSH	1				
18	88640341A	O-RING 37.77X2.62	1				
19	24712901AB	COVER, OIL ELEMENT	1				
20	44440035A	FILTER, OIL	1				



CRT00599

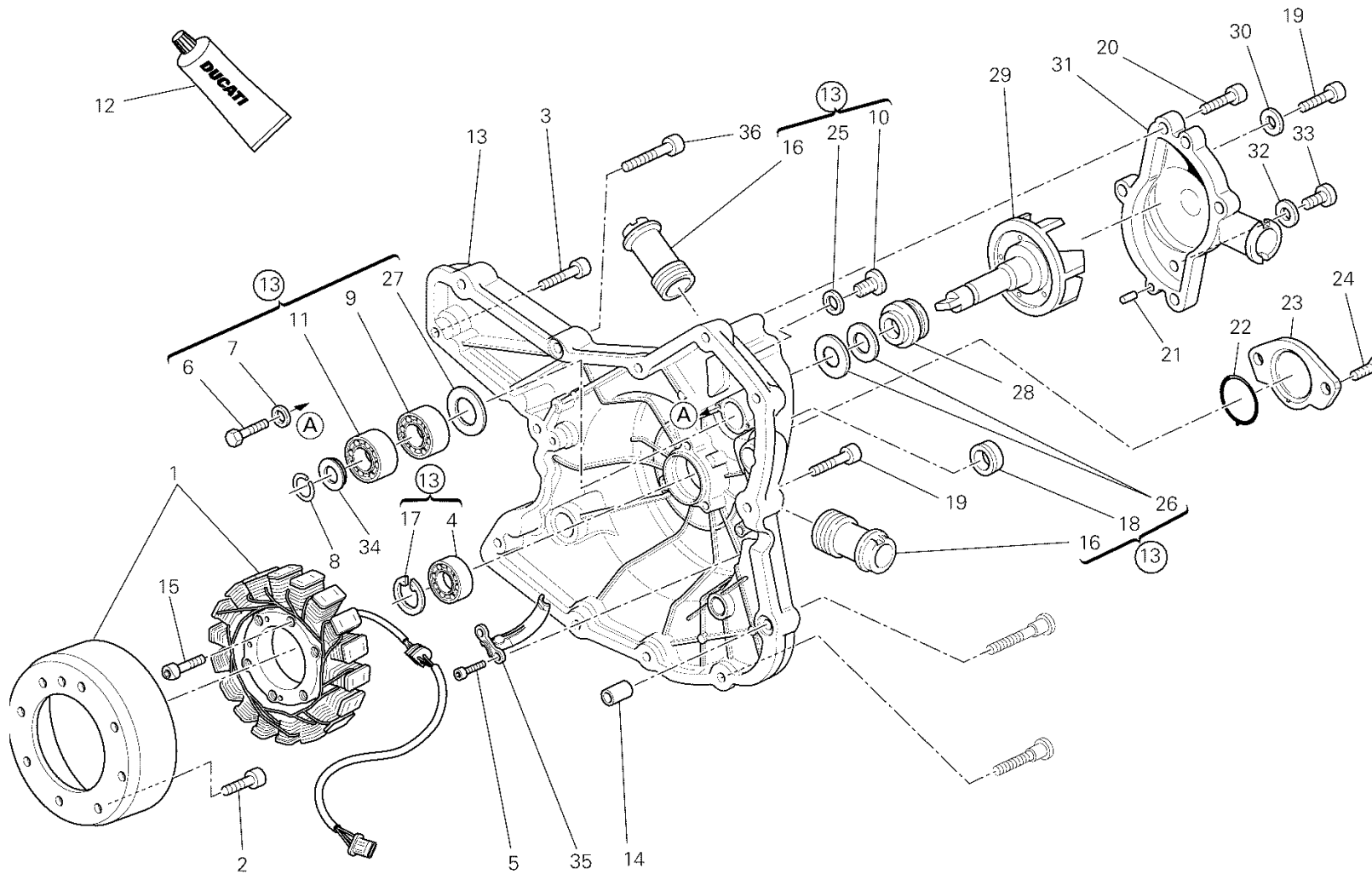


POS.	CODE	DESCRIPTION	QTY	START DATE	END DATE	VALIDITY	NOTES
1	22522861B	COMPLETE HALF-CRANKCASES PAIR	1				
2	55241321B	SENSOR, TIMING & RPM	1				
3	88650131A	O-RING 3.68X1.78	1				
4	751913380	BEARING	1				
5	85250421A	COPPER GASKET 12.2X18X1.5 MM	1				
6	70250081A	BALL BEARING 6003 TN9 C3	1				
7	89320062A	PLUG, OIL DRAIN	1				
8	88641321A	O-RING 11.11X1.78	1				
9	735033380	CIRCLIP	1				
10	77151398B	SCREW TCEI M8X90	2				
11	59320421A	VALVE, BREATHER	1				
12	46320222A	O-RING	2				
13	88641181A	O-RING	8				
14	74810501A	NUT M10X1.5	8				
15	85610642A	WASHER, SPECIAL 10.5X21X2	8				
16	76610553B	STUD BOLT FASTENING HEAD CYLINDER	8				
17	720941616	SCREW TSPEI M6X12	2				
18	85611481A	WASHER	1				
19	70240131A	BEARING	1				
20	93040221A	SEAL, OIL 35X52X7	1				
21	70240331A	BEARING 17X40X12	1				
22	037049250	WASHER	1				
23	88640331A	O-RING 17.96X2.62	2				
24	87511461B	JET	1				
25	77510311B	SCREW TBEI M5X10	1				
26	86010051B	DOWEL	2				
27	88610241A	O-RING 5.23X2.62	2				
28	71011411A	BUSHING	1				
29	77550211A	SCREW TBEI M6X16	2				
30	85310031A	SPRING WASHER 6 MM	1				



DRAWING 011 - GENERATOR COVER - WATER PUMP [MOD:F1098S;XST:AUS,EUR,FRA,JAP,TWN]

GROUP ENGINE



CRT00523

DRAWING 011 - GENERATOR COVER - WATER PUMP

[MOD:F1098S;XST:AUS,EUR,FRA,JAP,TWN]

GROUP ENGINE

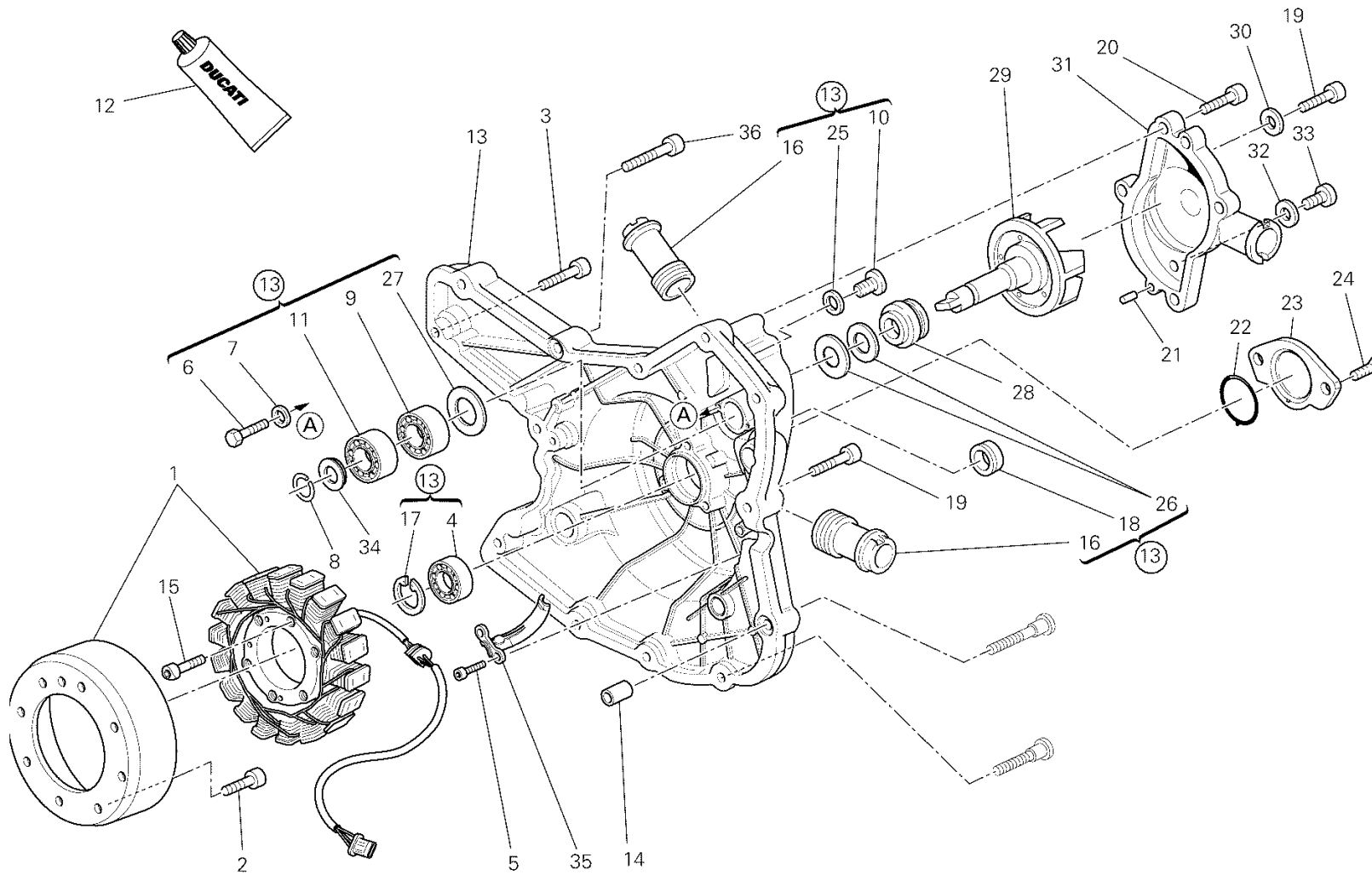


POS.	CODE	DESCRIPTION	QTY	START DATE	END DATE	VALIDITY	NOTES
1	26440611A	GENERATOR "KOKUSAN"	1				
2	77253330ZF	SCREW	8				
3	77150673B	SCREW	2				
4	70250081A	BALL BEARING 6003 TN9 C3	1				
5	77150648B	SCREW TCEI M6X14	2				
6	77052508B	SCREW TE M6X16	2				
7	85211721A	WASHER 6X14.2X1.3	2				
8	88450111A	CIRCLIP	1				
9	70240102A	BEARING	1				
10	77910262A	SCREW M12X1	1				
11	70240091A	BALL BEARING 6000	1				
12	942470014	LIQUID GASKET	1				
13	24220882BC	GENERATOR COVER	1				
14	71111601A	PIN DOWEL	2				
15	77110471A	SCREW	3				
16	66810014A	WATER PUMP DELIVERY PIPE UNION	2				
17	735033380	CIRCLIP	1				
18	937831524	SEAL, OIL 15X24X6	1				
19	77150693B	SCREW	9				
20	77150663B	SCREW	4				
21	86010041A	PIN DOWEL	2				
22	88610951A	O-RING 32.99X2.62	1				
23	24713051AF	COVER, SENSOR	1				
24	77750493C	SCREW	2				
25	85250261A	GASKET, ALUMINIUM 12X16X1.5	1				
26	93050051A	MECHANICAL SEAL	1				
27	71311281B	SPACER	1				
28	93050062B	MECHANICAL SEAL	1				
29	25120081A	WATER PUMP ROTOR	1				
30	85250231A	GASKET	1				
31	24721301AC	WATER PUMP COVER ASSY	1				
32	85250241A	WASHER 10X14X1	1				
33	78050012A	PLUG, THREADED M10X1	1				
34	85211141A	WASHER 10X17X1.8	1				
35	83012351A	CABLE GUIDE	1				



DRAWING 011 - GENERATOR COVER - WATER PUMP [MOD:F1098S;XST:AUS,EUR,FRA,JAP,TWN]

GROUP ENGINE



CRT00523

DRAWING 011 - GENERATOR COVER - WATER PUMP

[MOD:F1098S;XST:AUS,EUR,FRA,JAP,TWN]

GROUP ENGINE



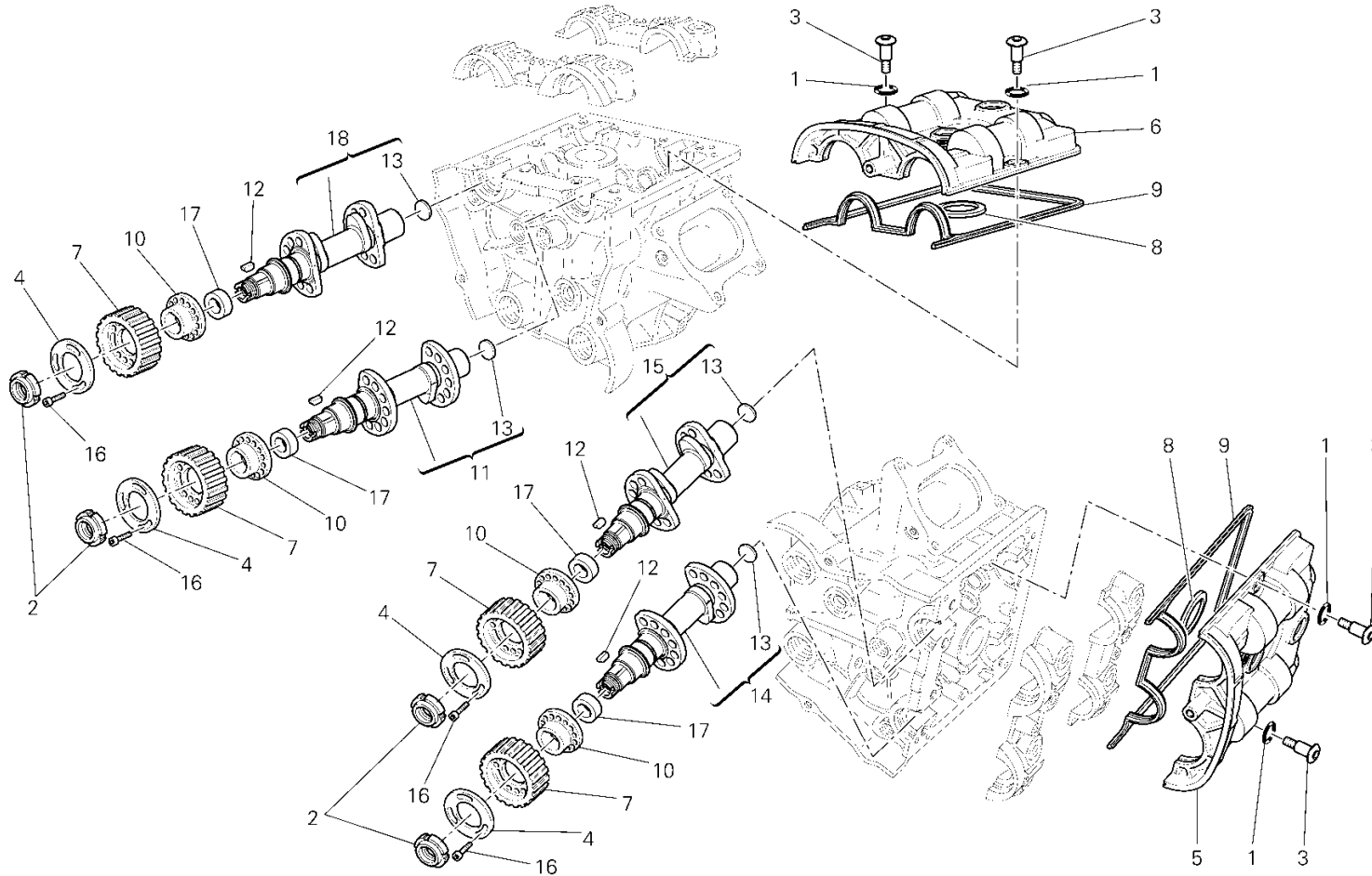
POS.	CODE	DESCRIPTION	QTY	START DATE	END DATE	VALIDITY	NOTES
36	77150713B	SCREW	1				

DRAWING 012 - STARTING MOTOR [MOD:F1098S;XST:AUS,EUR,FRA,JAP,TWN]

GROUP ENGINE



POS.	CODE	DESCRIPTION	QTY	START DATE	END DATE	VALIDITY	NOTES
1	27040104A	STARTING MOTOR	1				
2	85310031A	SPRING WASHER 6 MM	1				
3	75011211A	NUT	1				
4	78810542A	ENGINE STARTER GASKET	1				
5	77110491A	SCREW TCEI M6X18	2				
6	77110521A	SCREW TCEI M6X30	1				
7	88110341A	BUSH	1				
8	82113471A	STARTER REDUCTION SHAFT	1				
9	71319191A	SPACER	1				
10	176Z0021A	IDLE GEAR T74/13	1				
11	70140351A	CLUTCH, ONE WAY	1				
12	70010361A	DAMPER	1				
13	160Z0011A	FLANGE STARTING CLUTCH	1				
14	173Z0021A	ELECTRIC STARTER DRIVEN GEAR	1				
15	70240181A	BEARING, NEEDLE	1				
16	276Z0011A	IGNITION FLYWHEEL	1				
17	85610751A	WASHER, THRUST	1				



TST00358

Streetfighter S /13

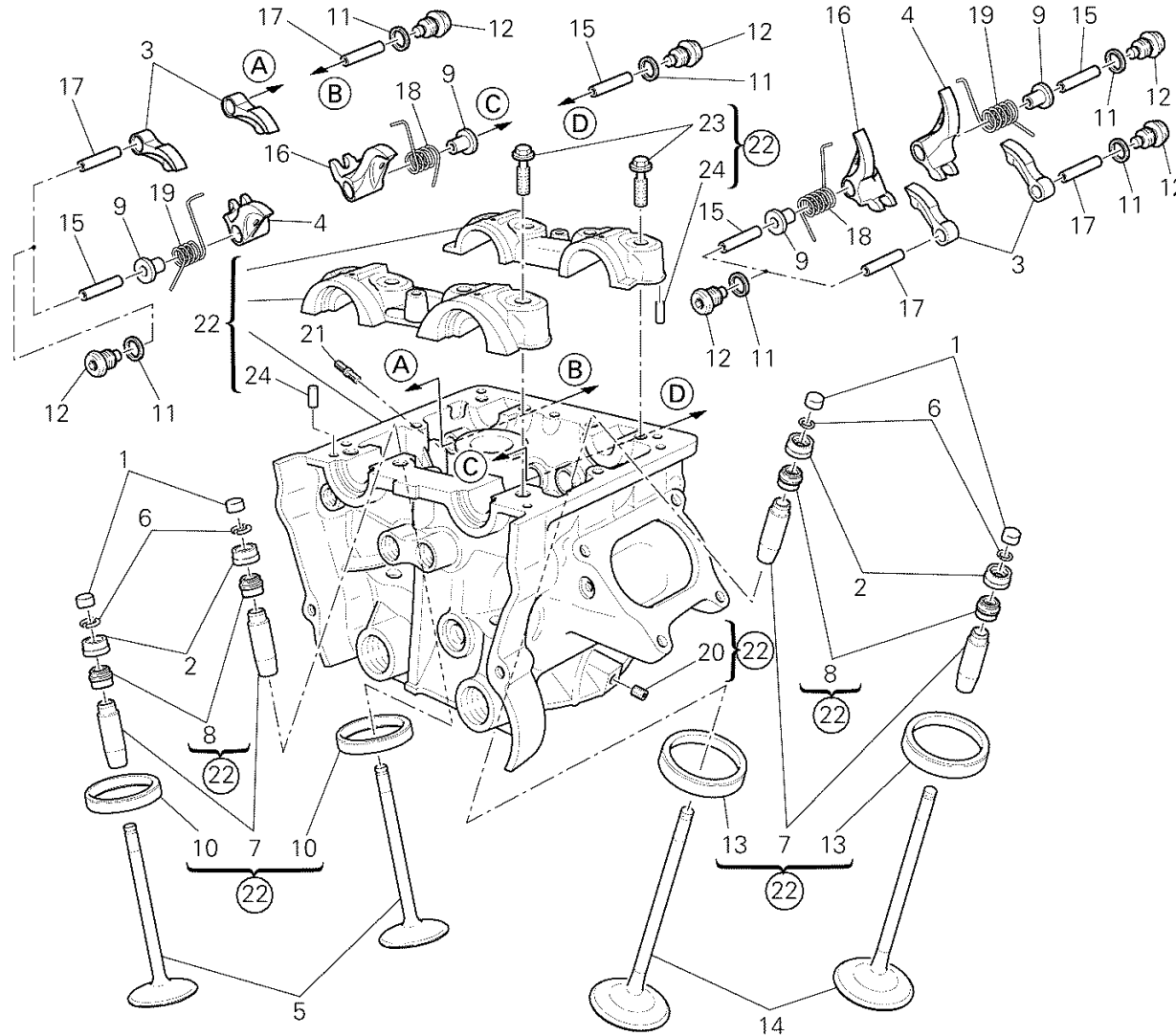
012000013 - 1098S

DRAWING 013 - CAMSHAFT [MOD:F1098S;XST:AUS,EUR,FRA,JAP,TWN]

GROUP ENGINE



POS.	CODE	DESCRIPTION	QTY	START DATE	END DATE	VALIDITY	NOTES
1	88650511A	O-RING 12.39X3.53	8				
2	70350022A	RING NUT M17X1	4				
3	77915093A	SCREW, SPECIAL	8				
4	85610743A	WASHER, SPECIAL	4				
5	24712871B	COVER CYLINDER HEAD, HORIZONTAL	1				
6	24712881B	COVER CYLINDER HEAD, VERTICAL	1				
7	25510193A	TIMING BELT PULLEY, DRIVEN T20	4				
8	78810941A	SEAL, SPARK PLUG HOLE	2				
9	78810931A	GASKET CYLINDER HEAD COVER	2				
10	16010941A	SPACER	4				
11	14823071C	VERTICAL INTAKE CAMSHAFT	1				
12	68050061A	WOODRUFF KEY 3X5	4				
13	87310051A	PLUG 18 MM	4				
14	14823081C	HORIZONTAL EXHAUST CAMSHAFT	1				
15	14823061C	HORIZONTAL INTAKE CAMSHAFT	1				
16	77950302A	SCREW TC M6X12	12				
17	93050071A	SEAL, OIL BAVISLRX7 24-35-7	4				
18	14823091C	VERTICAL EXHAUST CAMSHAFT	1				



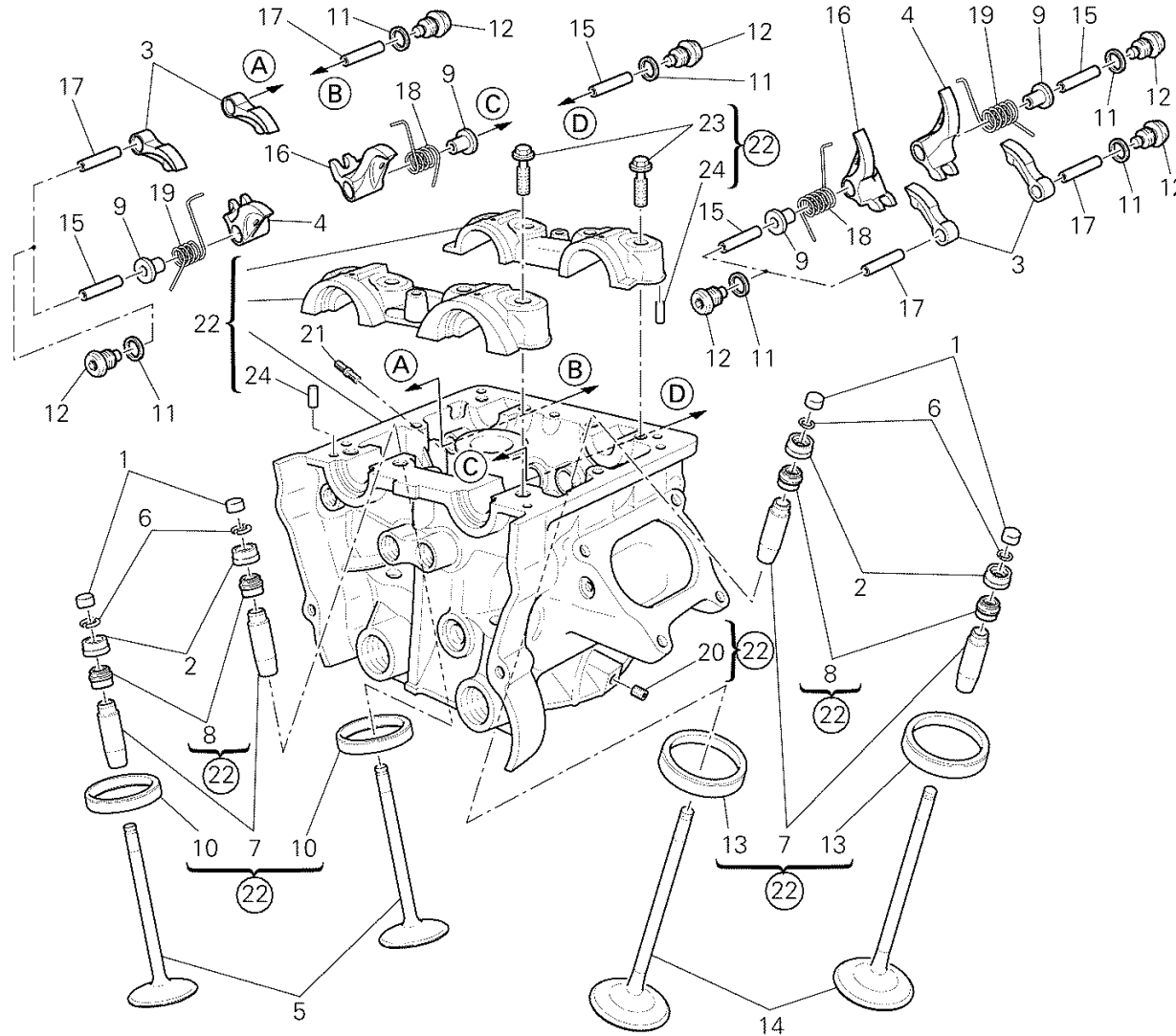
TST00414

DRAWING 014 - VERTICAL CYLINDER HEAD [MOD:F1098S;XST:AUS,EUR,FRA,JAP,TWN]

GROUP ENGINE



POS.	CODE	DESCRIPTION	QTY	START DATE	END DATE	VALIDITY	NOTES
1	84010011A	ADJUSTER, OPENING ROCKER ARM 2.00 MM	4				
	84010021A	ADJUSTER, OPENING ROCKER ARM 2.05 MM	4				
	84010031A	ADJUSTER, OPENING ROCKER ARM 2.10 MM	4				
	84010041A	ADJUSTER, OPENING ROCKER ARM 2.15 MM	4				
	84010051A	ADJUSTER, OPENING ROCKER ARM 2.20 MM	4				
	84010061A	ADJUSTER, OPENING ROCKER ARM 2.25 MM	4				
	84010071A	ADJUSTER, OPENING ROCKER ARM 2.30 MM	4				
	84010081A	ADJUSTER, OPENING ROCKER ARM 2.35 MM	4				
	84010091A	ADJUSTER, OPENING ROCKER ARM 2.40 MM	4				
	84010101A	ADJUSTER, OPENING ROCKER ARM 2.45 MM	4				
	84010111A	ADJUSTER, OPENING ROCKER ARM 2.50 MM	4				
	84010121A	ADJUSTER, OPENING ROCKER ARM 2.55 MM	4				
	84010131A	ADJUSTER, OPENING ROCKER ARM 2.60 MM	4				
	84010141A	ADJUSTER, OPENING ROCKER ARM 2.65 MM	4				
	84010151A	ADJUSTER, OPENING ROCKER ARM 2.70 MM	4				
	84010161A	ADJUSTER, OPENING ROCKER ARM 2.75 MM	4				
	84010171A	ADJUSTER, OPENING ROCKER ARM 2.80 MM	4				
	84010181A	ADJUSTER, OPENING ROCKER ARM 2.85 MM	4				
	84010191A	ADJUSTER, OPENING ROCKER ARM 2.90 MM	4				
	84010201A	ADJUSTER, OPENING ROCKER ARM 2.95 MM	4				
	84010211A	ADJUSTER, OPENING ROCKER ARM 3.00 MM	4				
	84010221A	ADJUSTER, OPENING ROCKER ARM 3.05 MM	4				
	84010231A	ADJUSTER, OPENING ROCKER ARM 3.10 MM	4				
	84010241A	ADJUSTER, OPENING ROCKER ARM 3.15 MM	4				
	84010251A	ADJUSTER, OPENING ROCKER ARM 3.20 MM	4				
	84010271A	ADJUSTER, OPENING ROCKER ARM 3.30 MM	4				
	84010281A	ADJUSTER, OPENING ROCKER ARM 3.35 MM	4				
	84010291A	ADJUSTER, OPENING ROCKER ARM 3.40 MM	4				
	84010301A	ADJUSTER, OPENING ROCKER ARM 3.45 MM	4				
	84010311A	ADJUSTER, OPENING ROCKER ARM 1.80 MM	4				
	84010321A	ADJUSTER, OPENING ROCKER ARM 1.85 MM	4				
	84010331A	ADJUSTER, OPENING ROCKER ARM 1.90 MM	4				
	84010341A	ADJUSTER, OPENING ROCKER ARM 1.95 MM	4				
2	84010412B	ADJUSTER, CLOSING ROCKER ARM 2.20 MM	4				
	84010422B	ADJUSTER, CLOSING ROCKER ARM 2.25 MM	4				



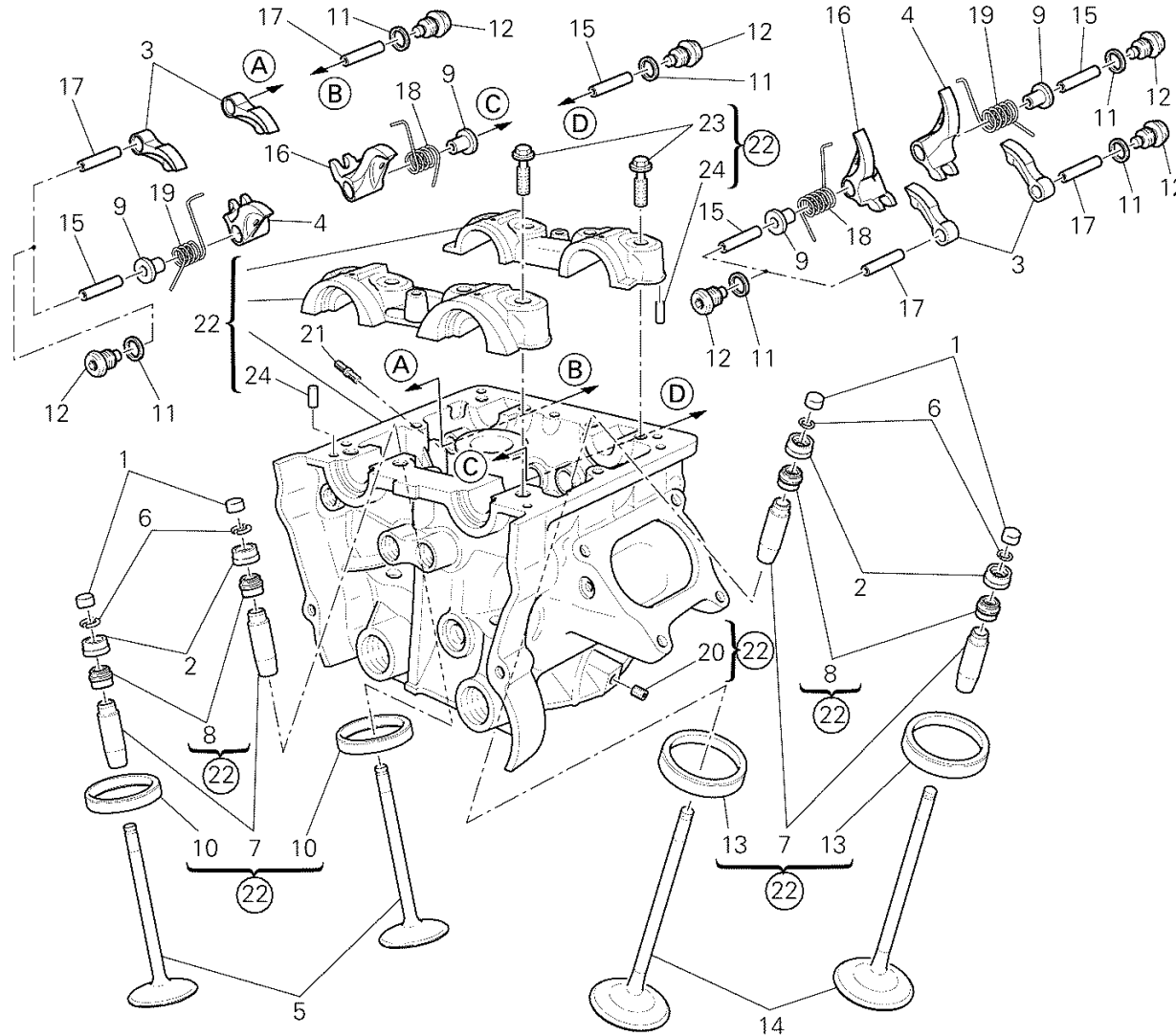
TST00414

DRAWING 014 - VERTICAL CYLINDER HEAD [MOD:F1098S;XST:AUS,EUR,FRA,JAP,TWN]

GROUP ENGINE



POS.	CODE	DESCRIPTION	QTY	START DATE	END DATE	VALIDITY	NOTES
	84010432B	ADJUSTER, CLOSING ROCKER ARM 2.30 MM	4				
	84010442B	ADJUSTER, CLOSING ROCKER ARM 2.35 MM	4				
	84010452B	ADJUSTER, CLOSING ROCKER ARM 2.40 MM	4				
	84010462B	ADJUSTER, CLOSING ROCKER ARM 2.45 MM	4				
	84010472B	ADJUSTER, CLOSING ROCKER ARM 2.50 MM	4				
	84010482B	ADJUSTER, CLOSING ROCKER ARM 2.55 MM	4				
	84010492B	ADJUSTER, CLOSING ROCKER ARM 2.60 MM	4				
	84010502B	ADJUSTER, CLOSING ROCKER ARM 2.65 MM	4				
	84010512B	ADJUSTER, CLOSING ROCKER ARM 2.70 MM	4				
	84010522B	ADJUSTER, CLOSING ROCKER ARM 2.75 MM	4				
	84010532B	ADJUSTER, CLOSING ROCKER ARM 2.80 MM	4				
	84010542B	ADJUSTER, CLOSING ROCKER ARM 2.85 MM	4				
	84010552B	ADJUSTER, CLOSING ROCKER ARM 2.90 MM	4				
	84010562B	ADJUSTER, CLOSING ROCKER ARM 2.95 MM	4				
	84010572B	ADJUSTER, CLOSING ROCKER ARM 3.00 MM	4				
	84010582B	ADJUSTER, CLOSING ROCKER ARM 3.05 MM	4				
	84010592B	ADJUSTER, CLOSING ROCKER ARM 3.10 MM	4				
	84010602B	ADJUSTER, CLOSING ROCKER ARM 3.15 MM	4				
	84010612B	ADJUSTER, CLOSING ROCKER ARM 3.20 MM	4				
	84010622B	ADJUSTER, CLOSING ROCKER ARM 3.25 MM	4				
	84010632B	ADJUSTER, CLOSING ROCKER ARM 3.30 MM	4				
	84010642B	ADJUSTER, CLOSING ROCKER ARM 3.35 MM	4				
	84010652B	ADJUSTER, CLOSING ROCKER ARM 3.40 MM	4				
	84010662B	ADJUSTER, CLOSING ROCKER ARM 3.45 MM	4				
	84010672B	ADJUSTER, CLOSING ROCKER ARM 3.50 MM	4				
	84010682B	ADJUSTER, CLOSING ROCKER ARM 3.55 MM	4				
	84010692B	ADJUSTER, CLOSING ROCKER ARM 3.60 MM	4				
	84010702B	ADJUSTER, CLOSING ROCKER ARM 3.65 MM	4				
	84010712B	ADJUSTER, CLOSING ROCKER ARM 3.70 MM	4				
	84010722B	ADJUSTER, CLOSING ROCKER ARM 3.75 MM	4				
	84010732B	ADJUSTER, CLOSING ROCKER ARM 3.80 MM	4				
	84010742B	ADJUSTER, CLOSING ROCKER ARM 3.85 MM	4				
	84010752B	ADJUSTER, CLOSING ROCKER ARM 3.90 MM	4				
	84010762B	ADJUSTER, CLOSING ROCKER ARM 3.95 MM	4				
	84010772B	ADJUSTER, CLOSING ROCKER ARM 4.00 MM	4				



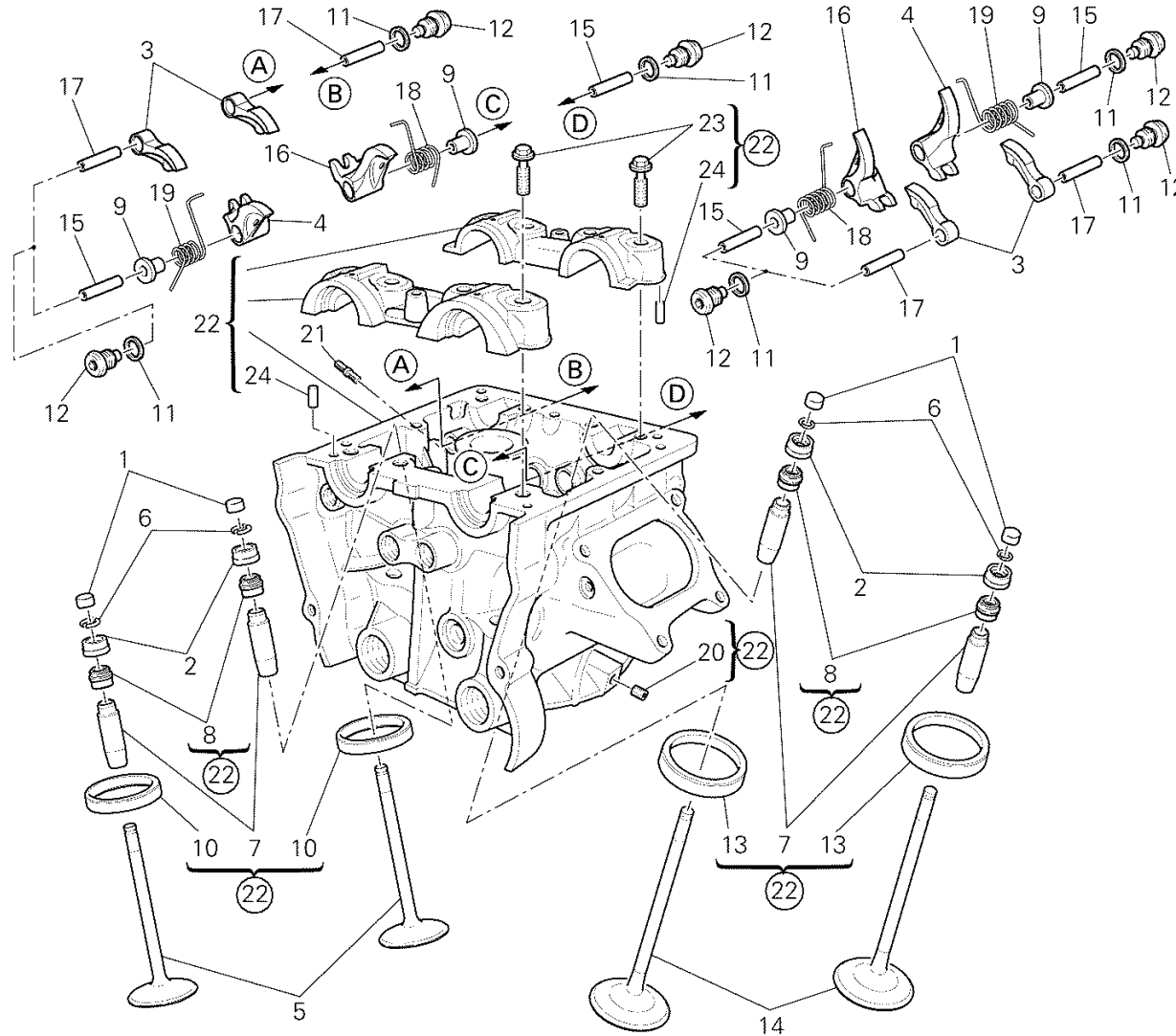
TST00414

DRAWING 014 - VERTICAL CYLINDER HEAD [MOD:F1098S;XST:AUS,EUR,FRA,JAP,TWN]

GROUP ENGINE



POS.	CODE	DESCRIPTION	QTY	START DATE	END DATE	VALIDITY	NOTES
	84010782B	ADJUSTER, CLOSING ROCKER ARM 4.05 MM	4				
	84010792B	ADJUSTER, CLOSING ROCKER ARM 4.10 MM	4				
	84010802B	ADJUSTER, CLOSING ROCKER ARM 4.15 MM	4				
	84010812B	ADJUSTER, CLOSING ROCKER ARM 4.20 MM	4				
	84010822B	ADJUSTER, CLOSING ROCKER ARM 4.25 MM	4				
	84010832B	ADJUSTER, CLOSING ROCKER ARM 4.30 MM	4				
	84010842B	ADJUSTER, CLOSING ROCKER ARM 4.35 MM	4				
	84010852B	ADJUSTER, CLOSING ROCKER ARM 4.40 MM	4				
	84010862B	ADJUSTER, CLOSING ROCKER ARM 4.45 MM	4				
	84010872B	ADJUSTER, CLOSING ROCKER ARM 4.50 MM	4				
3	20810321A	OPEN. ROCKER ARM	4				
4	20910501A	CLOSING ROCKER ARM LEFT	2				
5	21110701B	EXHAUST VALVE	2				
6	66910011E	C RING	8				
7	30310631BB	GUIDE, VALVE OVERSIZED 0.03 MM	4				
	30310631BC	GUIDE, VALVE OVERSIZED 0.06 MM	4				
	30310631BD	GUIDE, VALVE OVERSIZED 0.09 MM	4				
8	76410871A	SEAL VALVE STEM	4				
9	71312921A	SPACER	4				
10	30410631AB	SEAT, EXHAUST VALVE +0.03 MM	2				
	30410631AC	SEAT, EXHAUST VALVE +0.06 MM	2				
	30410871A	SEAT, EXHAUST VALVE	2				
11	85250261B	GASKET, ALUMINIUM 12X16X1.5	8				
12	78010512A	PLUG	8				
13	30410641BB	SEAT, INLET VALVE +0.03 MM	2				
	30410641BC	SEAT, INLET VALVE +0.06 MM	2				
	30410861A	SEAT, INTAKE VALVE	2				
14	21010721A	INTAKE VALVE	2				
15	82112231B	AXLE, ROCKER ARM CLOSING	4				
16	20910491A	CLOSING ROCKER ARM RIGHT	2				
17	82112221B	AXLE, ROCKER ARM OPENING	4				
18	79914861A	VALVE RETURN SPRING RH.	2				
19	79914851A	VALVE RETURN SPRING LH.	2				
20	41760113A	THREADED DOWEL STEI M6X8	1				
21	76640191A	STUD BOLT M6X16	3				



TST00414

DRAWING 014 - VERTICAL CYLINDER HEAD [MOD:F1098S;XST:AUS,EUR,FRA,JAP,TWN]

GROUP ENGINE

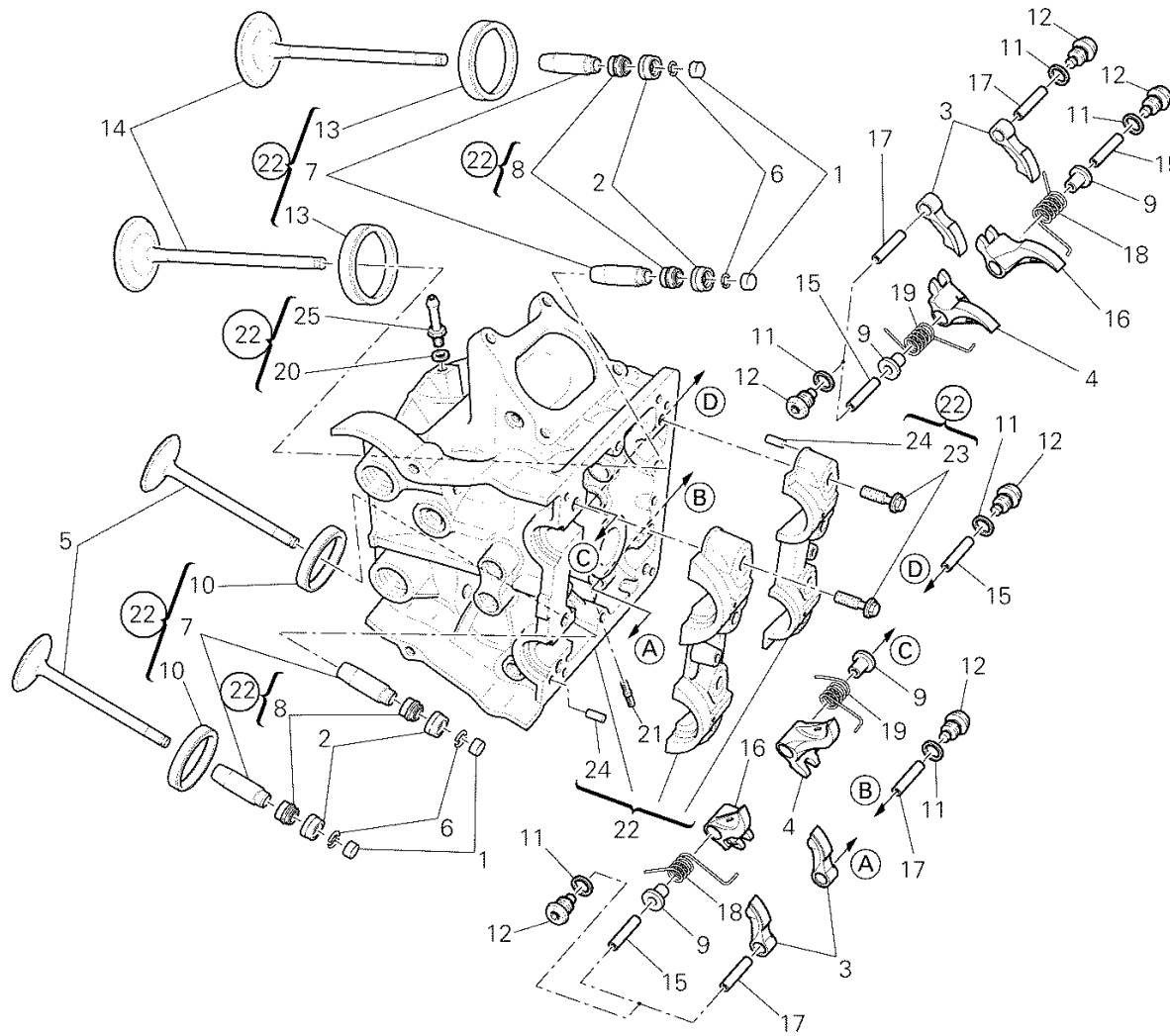


POS.	CODE	DESCRIPTION	QTY	START DATE	END DATE	VALIDITY	NOTES
22	30122396BB	COMPLETE VERTICAL HEAD	1				
23	77914211A	SCREW TEF M8X32	8				
24	86050061A	PIN M5X10	4				



DRAWING 015 - HORIZONTAL CYLINDER HEAD [MOD:F1098S;XST:AUS,EUR,FRA,JAP,TWN]

GROUP ENGINE



TST00415

DRAWING 015 - HORIZONTAL CYLINDER HEAD

[MOD:F1098S;XST:AUS,EUR,FRA,JAP,TWN]

GROUP ENGINE

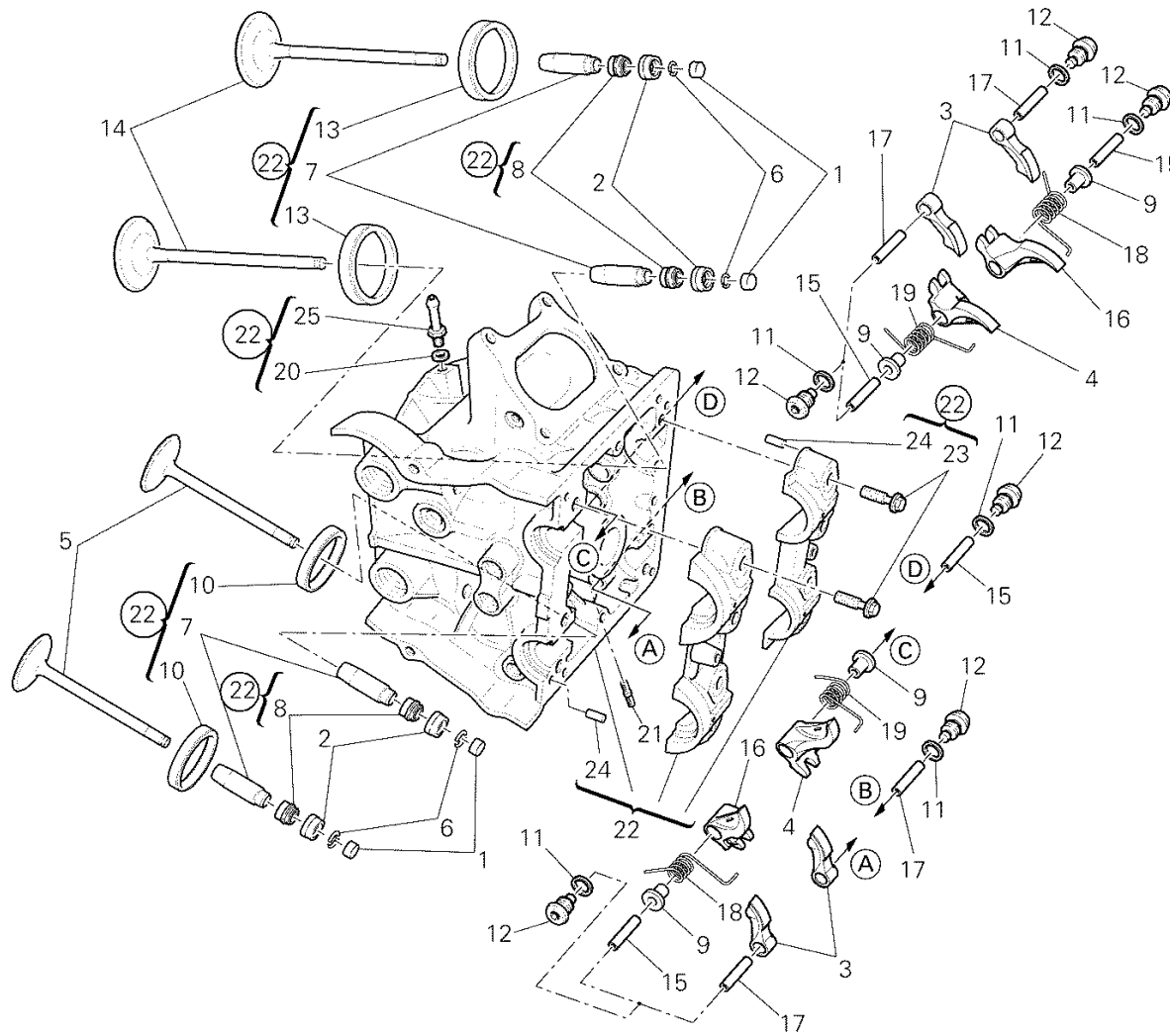


POS.	CODE	DESCRIPTION	QTY	START DATE	END DATE	VALIDITY	NOTES
1	84010011A	ADJUSTER, OPENING ROCKER ARM 2.00 MM	4				
	84010021A	ADJUSTER, OPENING ROCKER ARM 2.05 MM	4				
	84010031A	ADJUSTER, OPENING ROCKER ARM 2.10 MM	4				
	84010041A	ADJUSTER, OPENING ROCKER ARM 2.15 MM	4				
	84010051A	ADJUSTER, OPENING ROCKER ARM 2.20 MM	4				
	84010061A	ADJUSTER, OPENING ROCKER ARM 2.25 MM	4				
	84010071A	ADJUSTER, OPENING ROCKER ARM 2.30 MM	4				
	84010081A	ADJUSTER, OPENING ROCKER ARM 2.35 MM	4				
	84010091A	ADJUSTER, OPENING ROCKER ARM 2.40 MM	4				
	84010101A	ADJUSTER, OPENING ROCKER ARM 2.45 MM	4				
	84010111A	ADJUSTER, OPENING ROCKER ARM 2.50 MM	4				
	84010121A	ADJUSTER, OPENING ROCKER ARM 2.55 MM	4				
	84010131A	ADJUSTER, OPENING ROCKER ARM 2.60 MM	4				
	84010141A	ADJUSTER, OPENING ROCKER ARM 2.65 MM	4				
	84010151A	ADJUSTER, OPENING ROCKER ARM 2.70 MM	4				
	84010161A	ADJUSTER, OPENING ROCKER ARM 2.75 MM	4				
	84010171A	ADJUSTER, OPENING ROCKER ARM 2.80 MM	4				
	84010181A	ADJUSTER, OPENING ROCKER ARM 2.85 MM	4				
	84010191A	ADJUSTER, OPENING ROCKER ARM 2.90 MM	4				
	84010201A	ADJUSTER, OPENING ROCKER ARM 2.95 MM	4				
	84010211A	ADJUSTER, OPENING ROCKER ARM 3.00 MM	4				
	84010221A	ADJUSTER, OPENING ROCKER ARM 3.05 MM	4				
	84010231A	ADJUSTER, OPENING ROCKER ARM 3.10 MM	4				
	84010241A	ADJUSTER, OPENING ROCKER ARM 3.15 MM	4				
	84010251A	ADJUSTER, OPENING ROCKER ARM 3.20 MM	4				
	84010261A	ADJUSTER, OPENING ROCKER ARM 3.25 MM	4				
	84010271A	ADJUSTER, OPENING ROCKER ARM 3.30 MM	4				
	84010281A	ADJUSTER, OPENING ROCKER ARM 3.35 MM	4				
	84010291A	ADJUSTER, OPENING ROCKER ARM 3.40 MM	4				
	84010301A	ADJUSTER, OPENING ROCKER ARM 3.45 MM	4				
	84010311A	ADJUSTER, OPENING ROCKER ARM 1.80 MM	4				
	84010321A	ADJUSTER, OPENING ROCKER ARM 1.85 MM	4				
	84010331A	ADJUSTER, OPENING ROCKER ARM 1.90 MM	4				
	84010341A	ADJUSTER, OPENING ROCKER ARM 1.95 MM	4				
2	84010412B	ADJUSTER, CLOSING ROCKER ARM 2.20 MM	4				



DRAWING 015 - HORIZONTAL CYLINDER HEAD [MOD:F1098S;XST:AUS,EUR,FRA,JAP,TWN]

GROUP ENGINE



TST00415

DRAWING 015 - HORIZONTAL CYLINDER HEAD

[MOD:F1098S;XST:AUS,EUR,FRA,JAP,TWN]

GROUP ENGINE

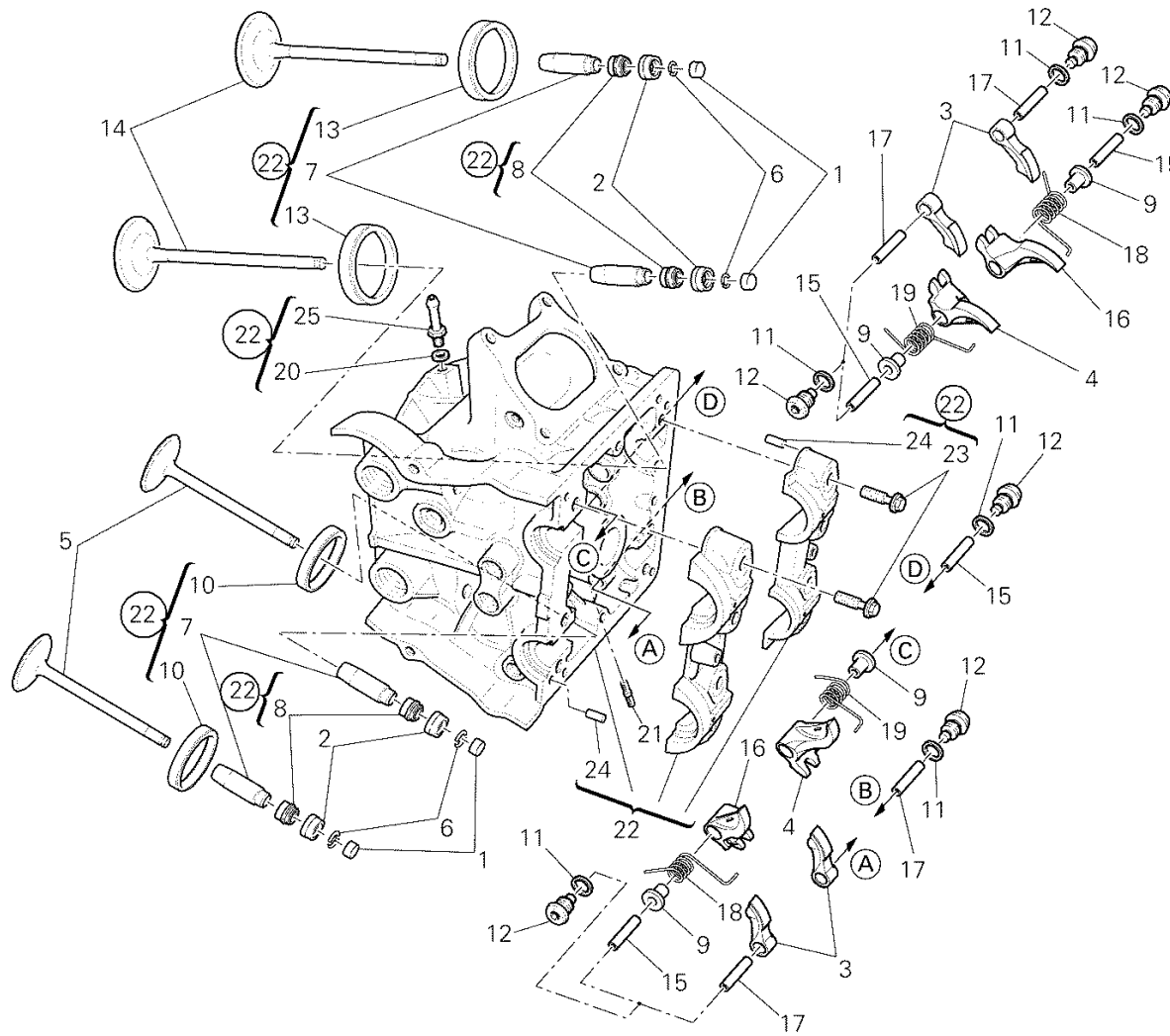


POS.	CODE	DESCRIPTION	QTY	START DATE	END DATE	VALIDITY	NOTES
	84010422B	ADJUSTER, CLOSING ROCKER ARM 2.25 MM	4				
	84010432B	ADJUSTER, CLOSING ROCKER ARM 2.30 MM	4				
	84010442B	ADJUSTER, CLOSING ROCKER ARM 2.35 MM	4				
	84010452B	ADJUSTER, CLOSING ROCKER ARM 2.40 MM	4				
	84010462B	ADJUSTER, CLOSING ROCKER ARM 2.45 MM	4				
	84010472B	ADJUSTER, CLOSING ROCKER ARM 2.50 MM	4				
	84010482B	ADJUSTER, CLOSING ROCKER ARM 2.55 MM	4				
	84010492B	ADJUSTER, CLOSING ROCKER ARM 2.60 MM	4				
	84010502B	ADJUSTER, CLOSING ROCKER ARM 2.65 MM	4				
	84010512B	ADJUSTER, CLOSING ROCKER ARM 2.70 MM	4				
	84010522B	ADJUSTER, CLOSING ROCKER ARM 2.75 MM	4				
	84010532B	ADJUSTER, CLOSING ROCKER ARM 2.80 MM	4				
	84010542B	ADJUSTER, CLOSING ROCKER ARM 2.85 MM	4				
	84010552B	ADJUSTER, CLOSING ROCKER ARM 2.90 MM	4				
	84010562B	ADJUSTER, CLOSING ROCKER ARM 2.95 MM	4				
	84010572B	ADJUSTER, CLOSING ROCKER ARM 3.00 MM	4				
	84010582B	ADJUSTER, CLOSING ROCKER ARM 3.05 MM	4				
	84010592B	ADJUSTER, CLOSING ROCKER ARM 3.10 MM	4				
	84010602B	ADJUSTER, CLOSING ROCKER ARM 3.15 MM	4				
	84010612B	ADJUSTER, CLOSING ROCKER ARM 3.20 MM	4				
	84010622B	ADJUSTER, CLOSING ROCKER ARM 3.25 MM	4				
	84010632B	ADJUSTER, CLOSING ROCKER ARM 3.30 MM	4				
	84010642B	ADJUSTER, CLOSING ROCKER ARM 3.35 MM	4				
	84010652B	ADJUSTER, CLOSING ROCKER ARM 3.40 MM	4				
	84010662B	ADJUSTER, CLOSING ROCKER ARM 3.45 MM	4				
	84010672B	ADJUSTER, CLOSING ROCKER ARM 3.50 MM	4				
	84010682B	ADJUSTER, CLOSING ROCKER ARM 3.55 MM	4				
	84010692B	ADJUSTER, CLOSING ROCKER ARM 3.60 MM	4				
	84010702B	ADJUSTER, CLOSING ROCKER ARM 3.65 MM	4				
	84010712B	ADJUSTER, CLOSING ROCKER ARM 3.70 MM	4				
	84010722B	ADJUSTER, CLOSING ROCKER ARM 3.75 MM	4				
	84010732B	ADJUSTER, CLOSING ROCKER ARM 3.80 MM	4				
	84010742B	ADJUSTER, CLOSING ROCKER ARM 3.85 MM	4				
	84010752B	ADJUSTER, CLOSING ROCKER ARM 3.90 MM	4				
	84010762B	ADJUSTER, CLOSING ROCKER ARM 3.95 MM	4				



DRAWING 015 - HORIZONTAL CYLINDER HEAD [MOD:F1098S;XST:AUS,EUR,FRA,JAP,TWN]

GROUP ENGINE



TST00415

DRAWING 015 - HORIZONTAL CYLINDER HEAD

[MOD:F1098S;XST:AUS,EUR,FRA,JAP,TWN]

GROUP ENGINE

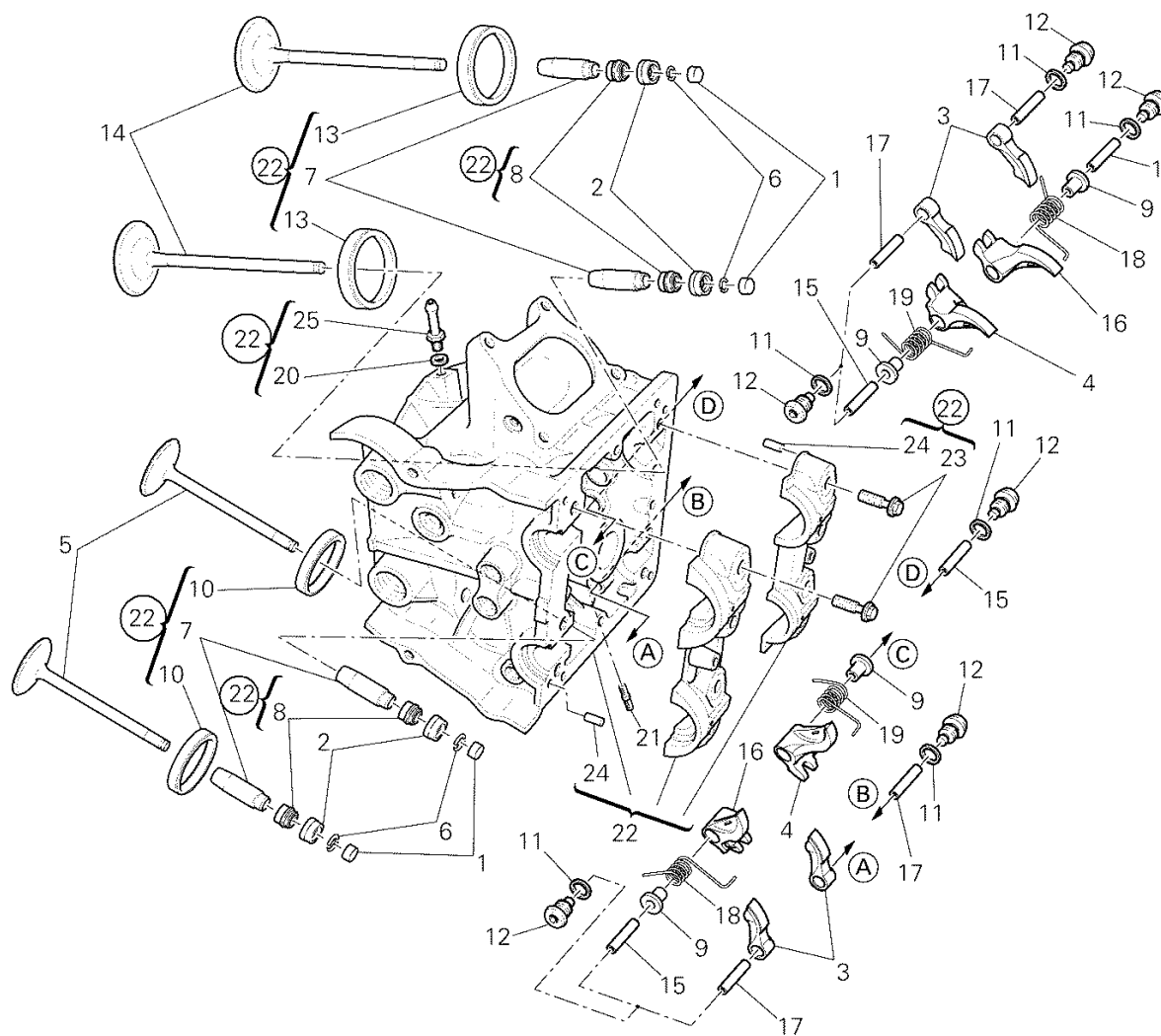


POS.	CODE	DESCRIPTION	QTY	START DATE	END DATE	VALIDITY	NOTES
	84010772B	ADJUSTER, CLOSING ROCKER ARM 4.00 MM	4				
	84010782B	ADJUSTER, CLOSING ROCKER ARM 4.05 MM	4				
	84010792B	ADJUSTER, CLOSING ROCKER ARM 4.10 MM	4				
	84010802B	ADJUSTER, CLOSING ROCKER ARM 4.15 MM	4				
	84010812B	ADJUSTER, CLOSING ROCKER ARM 4.20 MM	4				
	84010822B	ADJUSTER, CLOSING ROCKER ARM 4.25 MM	4				
	84010832B	ADJUSTER, CLOSING ROCKER ARM 4.30 MM	4				
	84010842B	ADJUSTER, CLOSING ROCKER ARM 4.35 MM	4				
	84010852B	ADJUSTER, CLOSING ROCKER ARM 4.40 MM	4				
	84010862B	ADJUSTER, CLOSING ROCKER ARM 4.45 MM	4				
	84010872B	ADJUSTER, CLOSING ROCKER ARM 4.50 MM	4				
3	20810321A	OPEN. ROCKER ARM	4				
4	20910501A	CLOSING ROCKER ARM LEFT	2				
5	21110701B	EXHAUST VALVE	2				
6	66910011E	C RING	8				
7	30310631BB	GUIDE, VALVE OVERSIZED 0.03 MM	4				
	30310631BC	GUIDE, VALVE OVERSIZED 0.06 MM	4				
	30310631BD	GUIDE, VALVE OVERSIZED 0.09 MM	4				
8	76410871A	SEAL VALVE STEM	4				
9	71312921A	SPACER	4				
10	30410631AB	SEAT, EXHAUST VALVE +0.03 MM	2				
	30410631AC	SEAT, EXHAUST VALVE +0.06 MM	2				
	30410871A	SEAT, EXHAUST VALVE	2				
11	85250261B	GASKET, ALUMINIUM 12X16X1.5	8				
12	78010512A	PLUG	8				
13	30410641BB	SEAT, INLET VALVE +0.03 MM	2				
	30410641BC	SEAT, INLET VALVE +0.06 MM	2				
	30410861A	SEAT, INTAKE VALVE	2				
14	21010721A	INTAKE VALVE	2				
15	82112231B	AXLE, ROCKER ARM CLOSING	4				
16	20910491A	CLOSING ROCKER ARM RIGHT	2				
17	82112221B	AXLE, ROCKER ARM OPENING	4				
18	79914861A	VALVE RETURN SPRING RH.	2				
19	79914851A	VALVE RETURN SPRING LH.	2				
20	85250231A	GASKET	1				



DRAWING 015 - HORIZONTAL CYLINDER HEAD [MOD:F1098S;XST:AUS,EUR,FRA,JAP,TWN]

GROUP ENGINE



TST00415

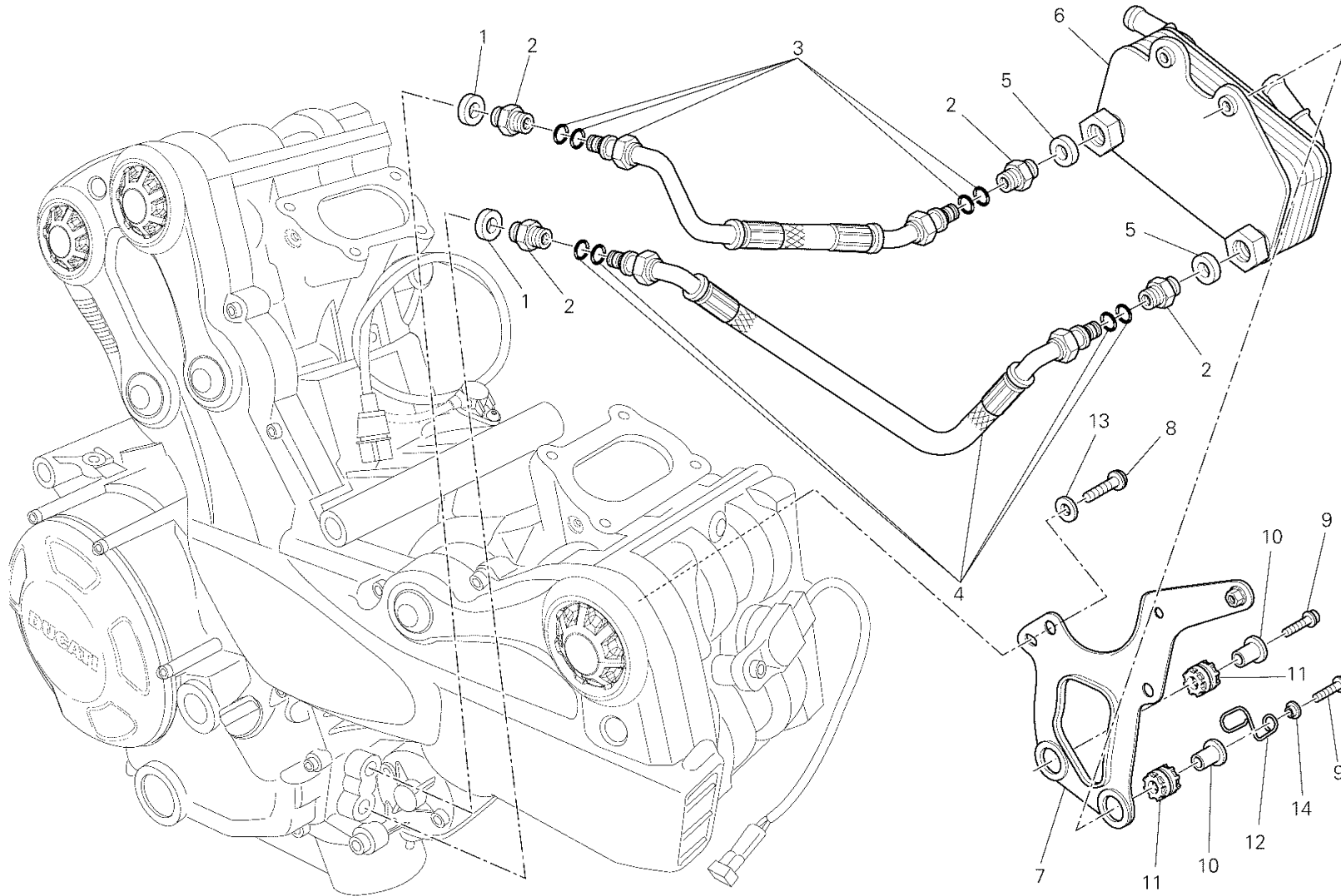
DRAWING 015 - HORIZONTAL CYLINDER HEAD

[MOD:F1098S;XST:AUS,EUR,FRA,JAP,TWN]

GROUP ENGINE



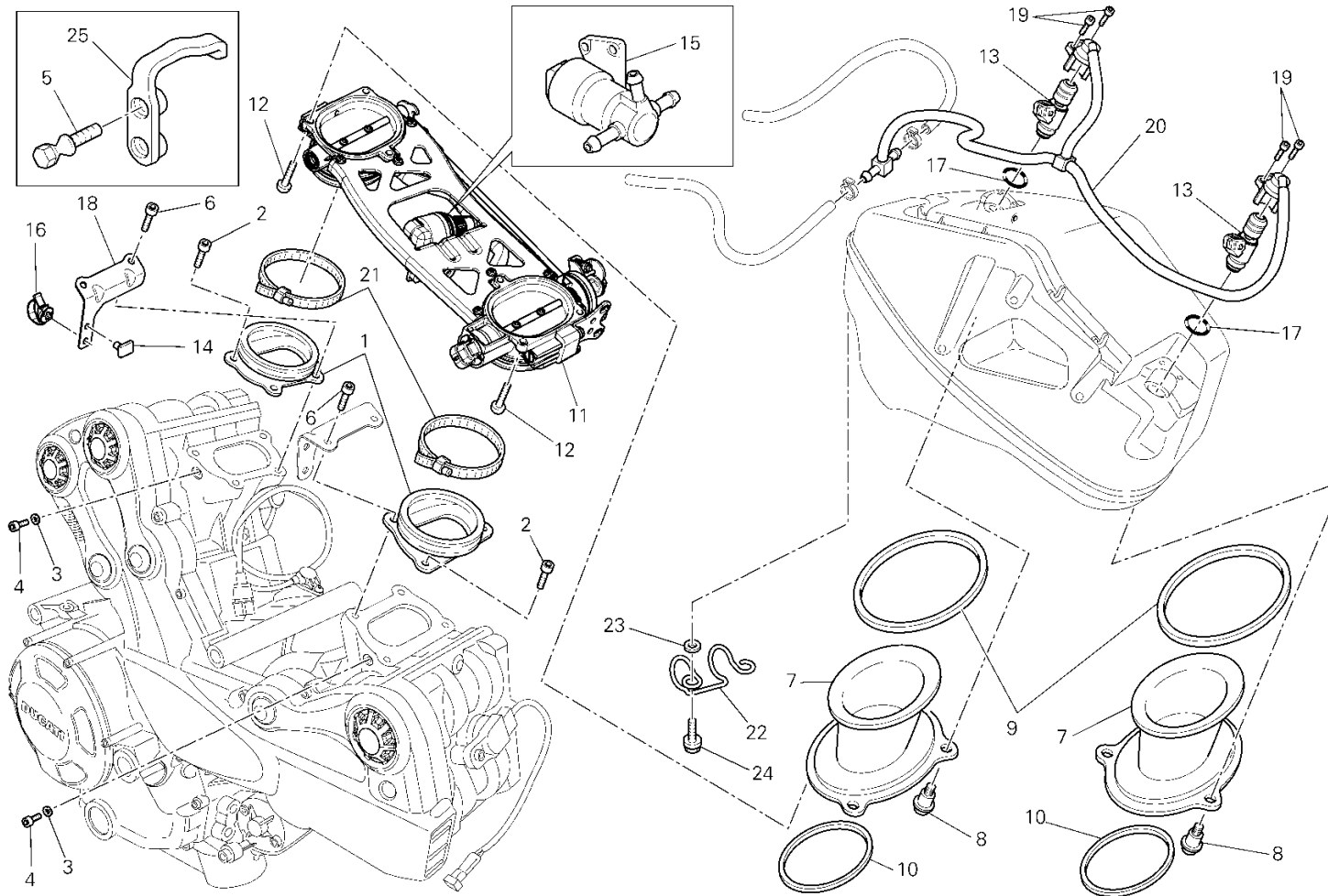
POS.	CODE	DESCRIPTION	QTY	START DATE	END DATE	VALIDITY	NOTES
21	76640191A	STUD BOLT M6X16	3				
22	30122386BB	COMPLETE HORIZONTAL HEAD	1				
23	77914211A	SCREW TEF M8X32	8				
24	86050061A	PIN M5X10	4				
25	81411881A	NIPPLE, HOSE	1				



RAF00397



POS.	CODE	DESCRIPTION	QTY	START DATE	END DATE	VALIDITY	NOTES
1	78710111A	GASKET, ALUMINIUM 14X22X2	2				
2	81510221A	NIPPLE, HOSEM14X1.5	4				
3	54910901A	OIL DELIVERY PIPE	1				
4	54910911A	PIPE	1				
5	42020064A	ALUMINIUM GASKET	2				
6	54710011A	OIL COOLER	1				
7	83015301A	STAY, OIL COOLER	1				
8	77210893B	SCREW TBEI M6X14	2				
9	77156688B	SCREW TCEIF M6X22X18	2				
10	71610031A	SPACER	2				
11	76410241A	VIBRATION DAMPER PAD	2				
12	88110581A	GUIDE, CABLE	1				
13	85211761A	WASHER 6.4X12.5X1.6	1				
14	71614121A	SPACER	1				



IMP00549

Streetfighter S /13

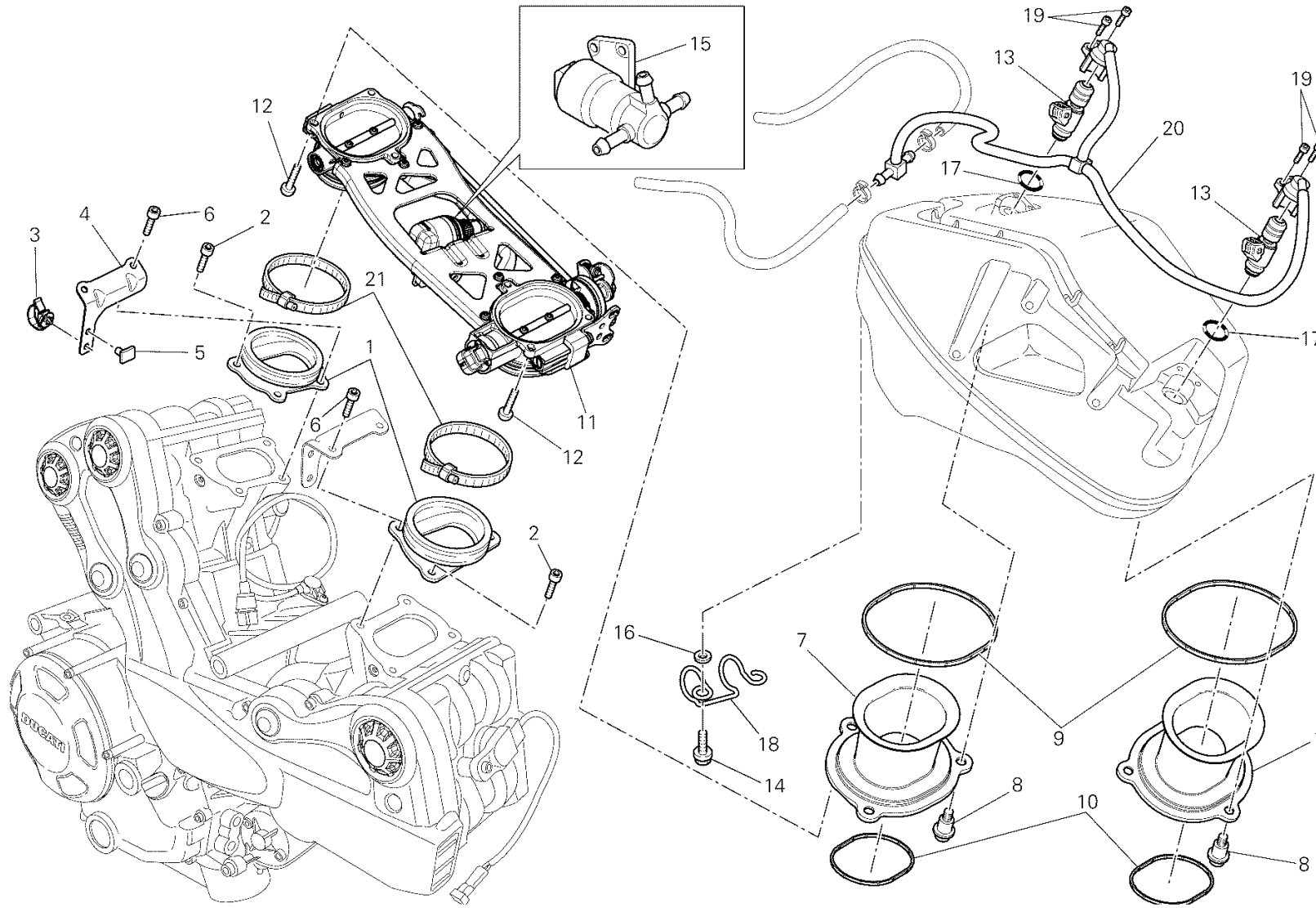
012000013 - 1098S

DRAWING 017 - THROTTLE BODY [MOD:F1098S;XST:AUS,EUR,FRA,JAP]

GROUP ENGINE



POS.	CODE	DESCRIPTION	QTY	START DATE	END DATE	VALIDITY	NOTES
1	14010481B	INTAKE MANIFOLD	2				
2	77150658B	SCREW TCEI M6X16	4				
3	85250231A	GASKET	2				
4	77350618B	SCREW TCEIR M6X8	2				
5	77915301A	SCREW, SPECIAL	2				FRA
6	77112331A	SCREW TCEI M6X16	4				
7	13510232A	DUCT, AIR INLET	2				
8	77210852A	SCREW TCEI M5X9	6				
9	78810962A	GASKET AIR FUNNEL	2				
10	78810972A	GASKET	2				
11	28240793B	COMPLETE THROTTLE BODY	1				
12	77510171C	SCREW TBEI M5X16	6				
13	28040161A	INJECTOR	2				
14	85040431A	QUICK FASTENING	1				
15	28340241A	STEPPER MOTOR	1				
16	75840171A	CLAMP	1				
17	88640891A	O-RING 18.64X3.53	2				
18	82715431A	PLATE, CABLE STOPPER	1				
19	77310051A	SCREW TCEIR M4X10	4				
20	59020254A	COMPLETE PIPE SET	1				
21	74141891A	CLAMP 65-85 MM	2				
22	75810392A	HOSE GUIDE	1				
23	85240131A	WASHER 5.3X15X1	2				
24	77211101A	SCREW TEF M5X10	2				
25	82714482A	PLATE	1				FRA



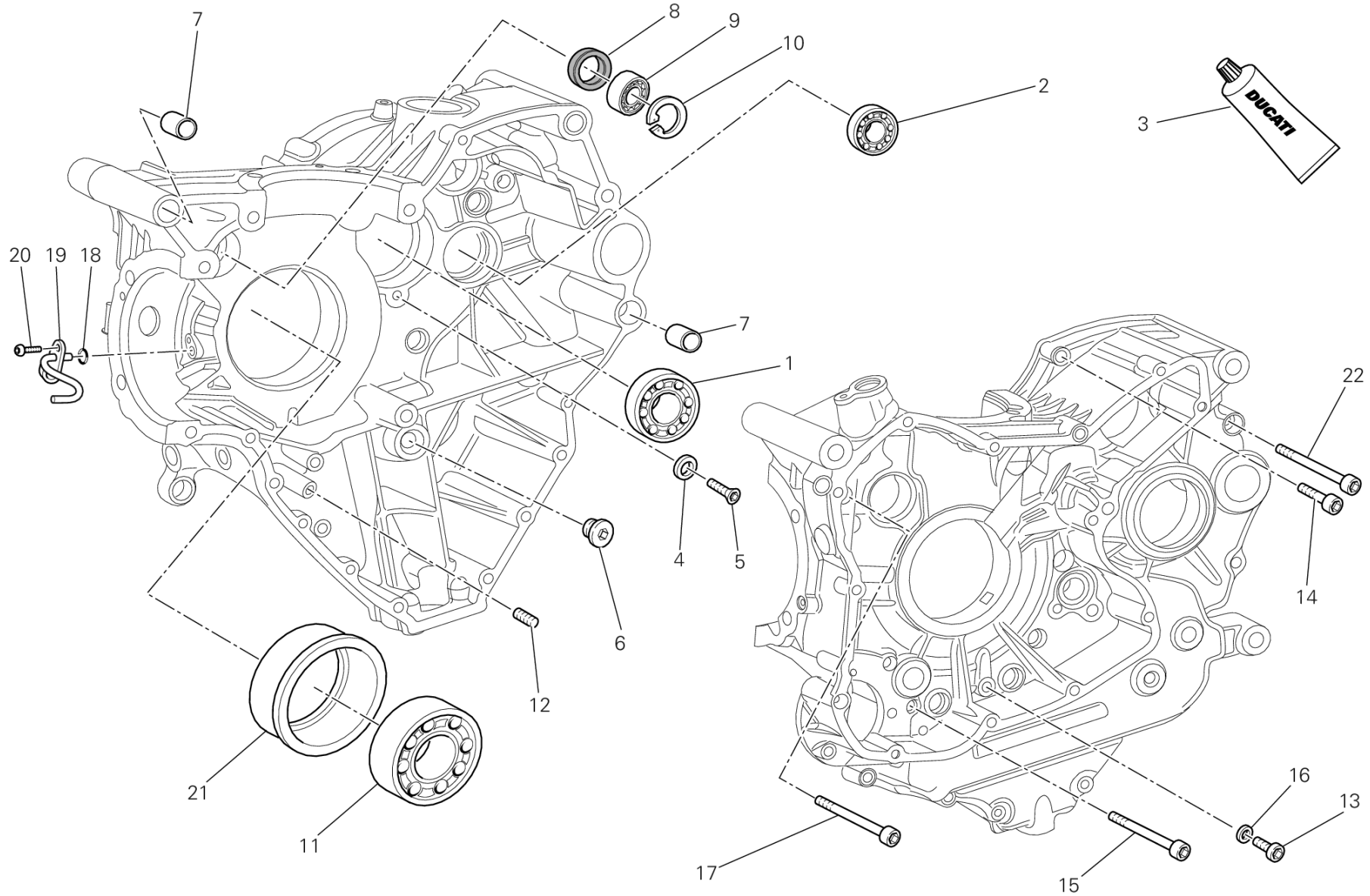
IMP00572

DRAWING 017 - THROTTLE BODY [MOD:F1098S;XST:TWN]

GROUP ENGINE



POS.	CODE	DESCRIPTION	QTY	START DATE	END DATE	VALIDITY	NOTES
1	14010481B	INTAKE MANIFOLD	2				
2	77150658B	SCREW TCEI M6X16	4				
3	75840171A	CLAMP	1				
4	82715431A	PLATE, CABLE STOPPER	1				
5	85040431A	QUICK FASTENING	1				
6	77112331A	SCREW TCEI M6X16	4				
7	13510232A	DUCT, AIR INLET	2				
8	77210852A	SCREW TCEI M5X9	6				
9	78810962A	GASKET AIR FUNNEL	2				
10	78810972A	GASKET	2				
11	28240793B	COMPLETE THROTTLE BODY	1				
12	77510171C	SCREW TBEI M5X16	6				
13	28040161A	INJECTOR	2				
14	77211101A	SCREW TEF M5X10	2				
15	28340241A	STEPPER MOTOR	1				
16	85240131A	WASHER 5.3X15X1	2				
17	88640891A	O-RING 18.64X3.53	2				
18	75810392A	HOSE GUIDE	1				
19	77310051A	SCREW TCEIR M4X10	4				
20	59020254A	COMPLETE PIPE SET	1				
21	74141891A	CLAMP 65-85 MM	2				



CRT00600

DRAWING 10A - CRANKCASE BEARINGS [MOD:F1098S;XST:AUS,EUR,FRA,JAP,TWN]

GROUP ENGINE

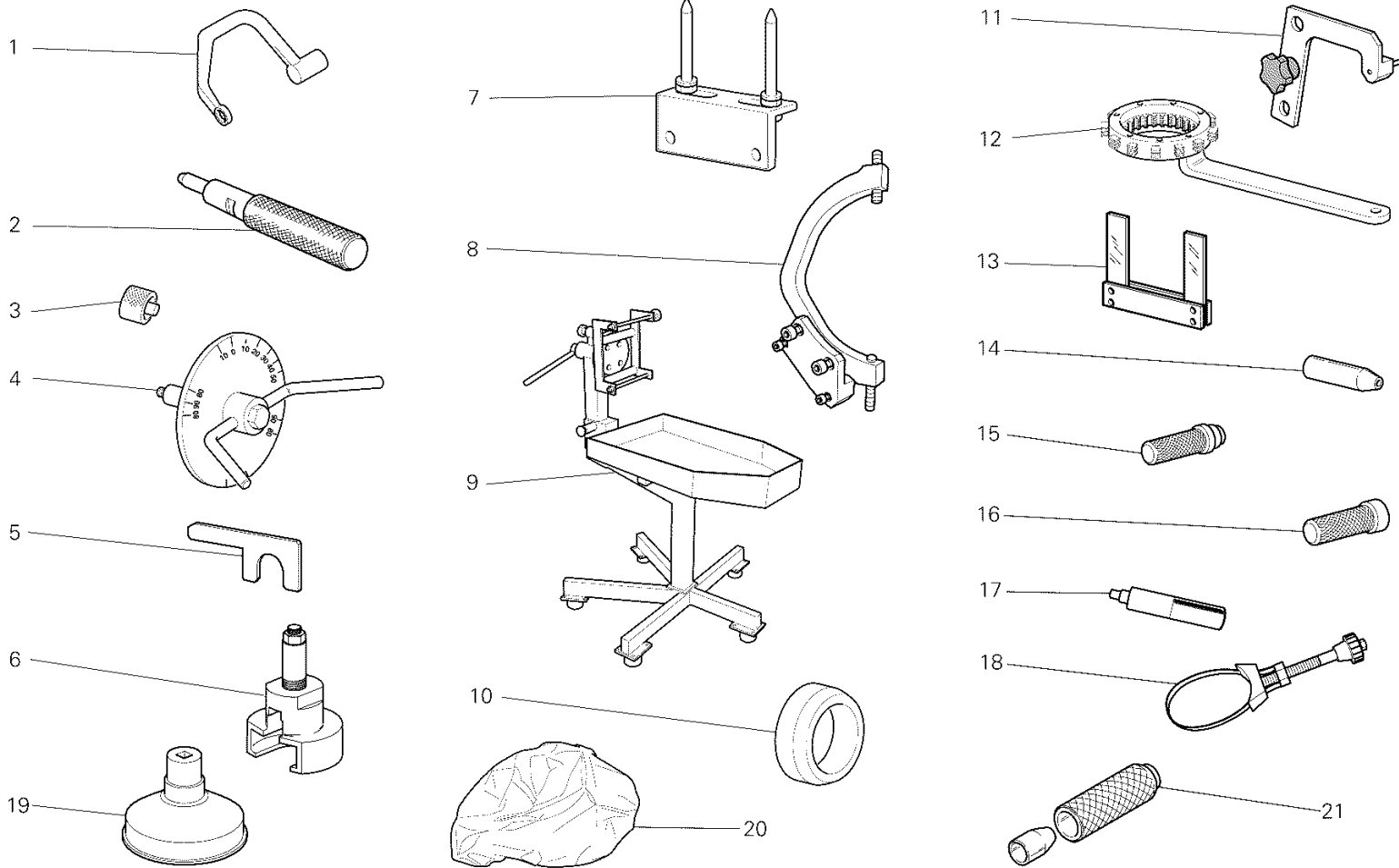


POS.	CODE	DESCRIPTION	QTY	START DATE	END DATE	VALIDITY	NOTES
1	70250191A	BEARING 25X62X17	1				
2	70240331A	BEARING 17X40X12	1				
3	942470014	LIQUID GASKET	1				
4	71311401A	SPACER	2				
5	720941616	SCREW TSPEI M6X12	2				
6	78010721A	PLUG BY-PASS M16X1.5	1				
7	71110951A	PIN DOWEL	2				
8	93041231A	SEAL, OIL 18X30X6	1				
9	757941542	BEARING	1				
10	735033380	CIRCLIP	1				
11	70240201A	BEARING	1				
12	77950621A	THREADED DOWEL M10X1	1				
13	77350618B	SCREW TCEIR M6X8	1				
14	77150723B	SCREW TCEI M6X35 UNI 5931	8				
15	77150808B	SCREW TCEI M6X75	2				
16	85250231A	GASKET	1				
17	77151398B	SCREW TCEI M8X90	2				
18	88650131A	O-RING 3.68X1.78	1				
19	87511461B	JET	1				
20	77510311B	SCREW TBEI M5X10	1				
21	71011421A	BUSHING	1				
22	77151363B	SCREW TCEI M8X75 UNI 5931	3				



DRAWING 001 - WORKSHOP SERVICE TOOLS, ENGINE I [MOD:F1098S;XST:AUS,EUR,FRA,JAP,TWN]

GROUP TOOLS



ATR00263

DRAWING 001 - WORKSHOP SERVICE TOOLS, ENGINE I

[MOD:F1098S;XST:AUS,EUR,FRA,JAP,TWN]



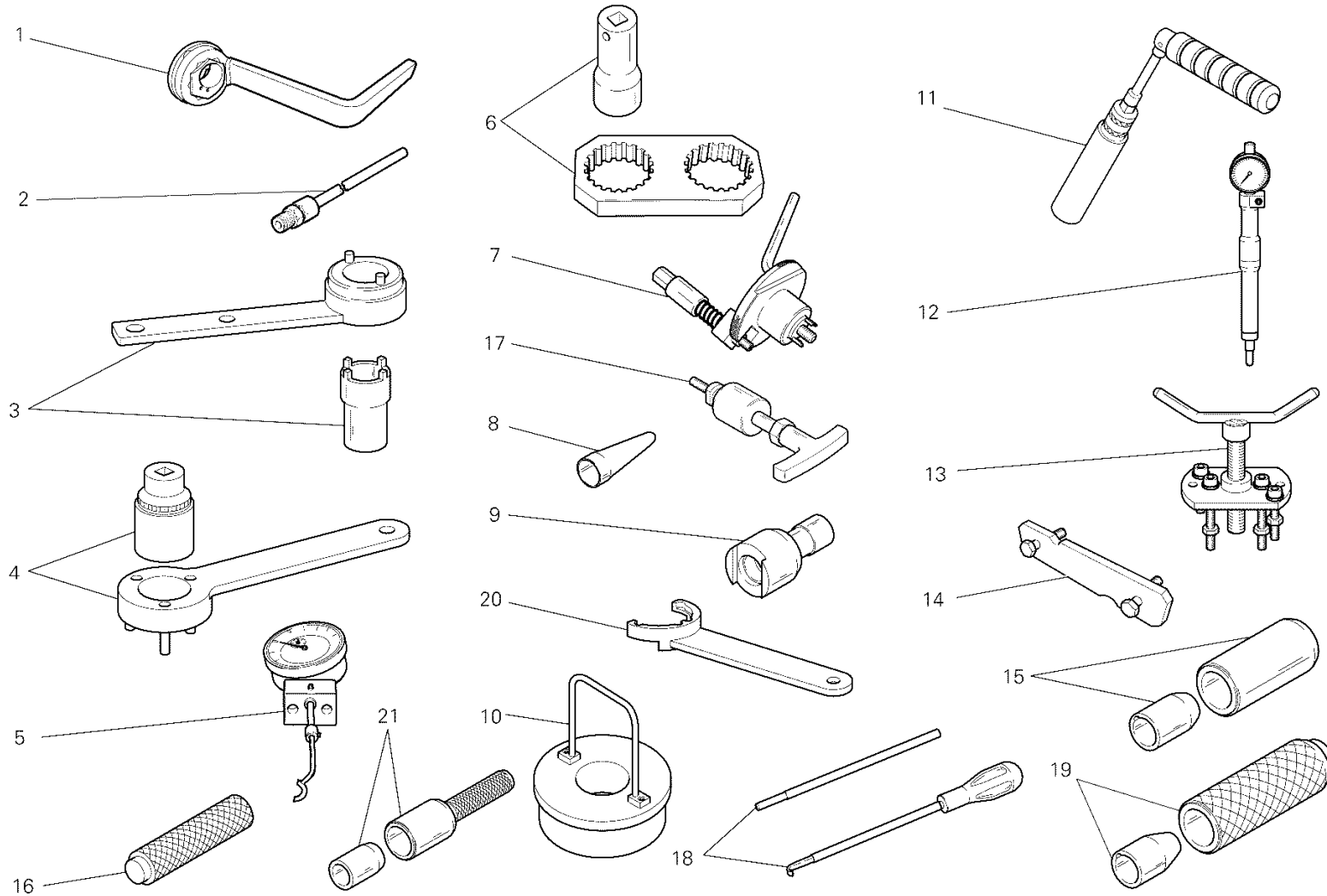
GROUP TOOLS

POS.	CODE	DESCRIPTION	QTY	START DATE	END DATE	VALIDITY	NOTES
1	887132676	HEAD NUTS HOLDER WRENCH (M10)	1				
2	887132442	TOOL, OIL SEAL MOUNTING (Ø7)	1				
3	887651298	SPACER FOR CHECKING LOWER VALVE SHIM	1				
4	887651657	DEGREE WHEEL HOLDER TOOL	1				
5	887132878	SPACER AND FORK FEELER GAUGE 0.2/0.3 MM	1				
6	887132092	EXTRACTOR FOR PRIMARY DRIVE GEAR	1				
7	887132103	HEAD MOUNTING BASE	1				
8	887133367	FLYWHEEL WRENCH	1				
9	887131832	BENCH FOR ENGINE REPAIR	1				
10	887005665	SLEEVE FOR INSTALLING CLUTCHBELL GEAR	1				
11	887133334	PLATE POSITIONING GEAR ENGAGEMENT FORK	1				
12	887132133	WRENCH HOLD CLUCH HOUSING DRUM STEADY	1				
13	887651000	FORK FEELER GAUGE 0.1 MM	1				
	887651005	FORK FEELER GAUGE 0.2 MM	1				
	887651006	FORK FEELER GAUGE 0.3 MM	1				
14	887005749	CRANKCASES ASSEMBLING CAP	1				
15	887130869	TOOL, WATER PUMP FRONT SEAL ASSEMBLING	1				
16	887130870	TOOL ASSEMBLING WATER PUMP FRONT SEAL	1				
17	887132669	TOOL ROLLER CAGE FITTING	1				
18	887132906	WRENCH, OIL FILTER CARTRIDGE	1				
19	887130944	WRENCH TO TIGHTEN OIL FILTER CARTRIDGE	1				
20	887131886	ENGINE CANVAS	1				
21	887133394	TOOL SNAP RING INSTALLATION	1				



DRAWING 01A - WORKSHOP SERVICE TOOLS, ENGINE II [MOD:F1098S;XST:AUS,EUR,FRA,JAP,TWN]

GROUP TOOLS



ATR00264

DRAWING 01A - WORKSHOP SERVICE TOOLS, ENGINE II

[MOD:F1098S;XST:AUS,EUR,FRA,JAP,TWN]



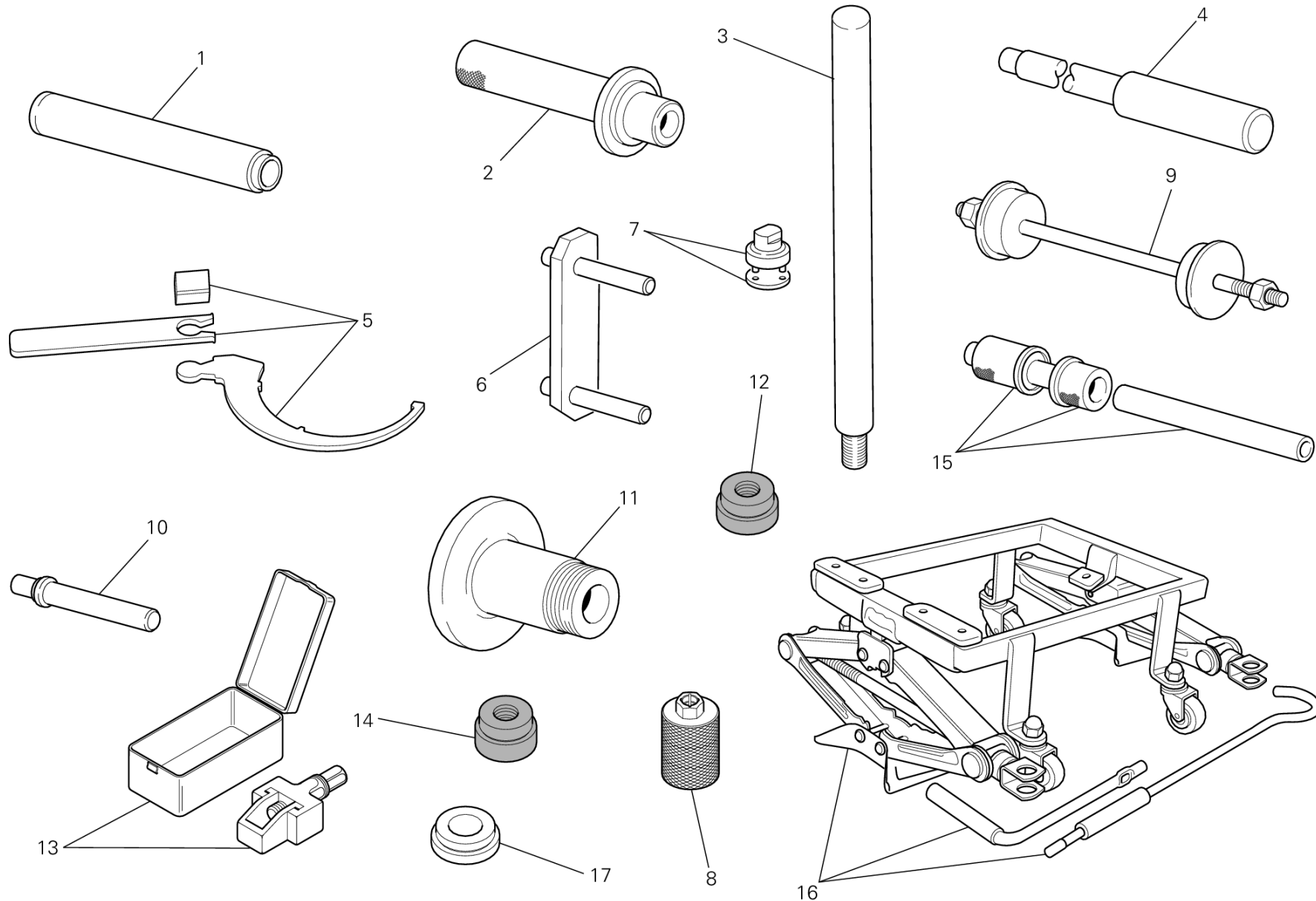
GROUP TOOLS

POS.	CODE	DESCRIPTION	QTY	START DATE	END DATE	VALIDITY	NOTES
1	887133497	WRENCH FOR TENSIONING MOBILE BELT TENSIO	1				
2	887131010	CONNECTOR FOR EXHAUST GAS TAKE-UP POINT	1				
3	887131805	DRIVING ROLLER TIGHTENING TOOL	1				
4	887132102	PRIMARY DRIVE GEAR TIGHTENING TOOL	1				
5	887651518	VALVE LIFT GAUGE	1				
6	887131806	REACTION TOOL BELT ROLLER TIGHTENING	1				
7	887132011	CRANKSHAFT RESET TOOL	1				
8	887131920	TOOL TO FIT O-RINGS ONTO STUD BOLTS	1				
9	887131821	WRENCH TO TIGHTEN TENSIONING BOLTS	1				
10	887132870	TOOL, CON-ROD GUIDING	1				
11	887132877	SPARK PLUG WRENCH	1				
12	887132090	T.D.C. CONTROL GAUGE	1				
13	887131749	DRIVE ROLLER PULLER	1				
14	887651623	BELT ROLLER TIMING TOOL	1				
15	887132861	TOOL TO FIT SEALS ON CAMSHAFTS	1				
16	887131980	DRIFT TO DRIVE RETAINERS ONTO SHAFTS	1				
17	887131994	ROCKER PIN EXTRACTOR	1				
18	887132069	ROCKER SPRING PRE-LOAD COMPOUND KIT	1				
19	887132834	TOOL SNAP RING INSTALLATION	1				
20	887133219	TIMING BELT ROLLER REACTION TOOL	1				
21	887133521	PUNCH TOOL DRIVING SEAL RING	1				



DRAWING 01B - WORKSHOP SERVICE TOOLS, FRAME [MOD:F1098S;XST:AUS,EUR,FRA,JAP,TWN]

GROUP TOOLS



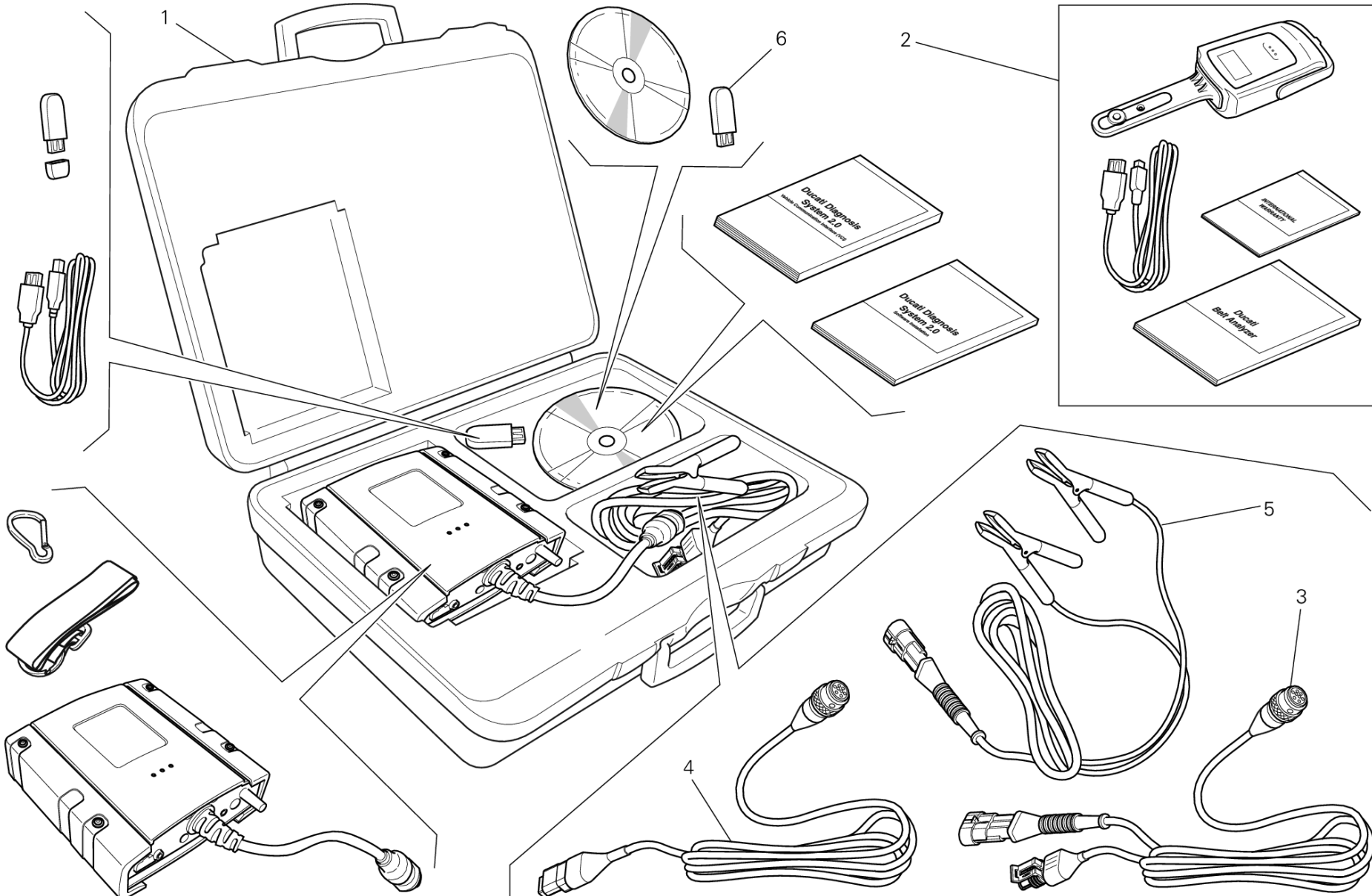
DRAWING 01B - WORKSHOP SERVICE TOOLS, FRAME

[MOD:F1098S;XST:AUS,EUR,FRA,JAP,TWN]



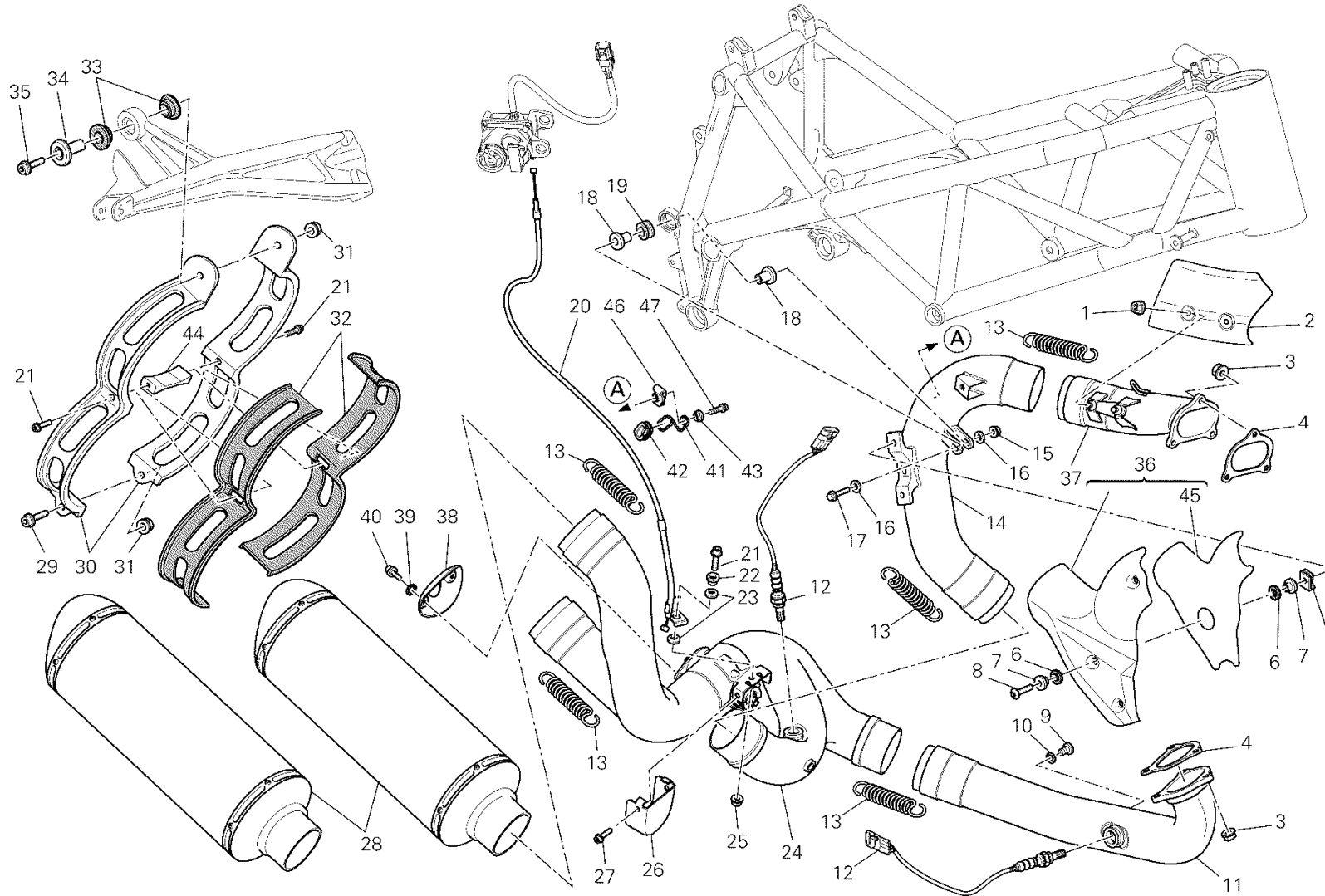
GROUP TOOLS

POS.	CODE	DESCRIPTION	QTY	START DATE	END DATE	VALIDITY	NOTES
1	887131072	DRIVING STOPPER FOR THE HALF BEARING	1				
2	887131068	STOPPER ASSEMBLING ROLLER BEARING	1				
3	887132855	BAR BUSHING SUPPORT	1				
4	887131074	TOOL DISASSEMBLING SWINGARM PIVOT	1				
5	887133211	SPANNER FOR ADJUSTING THE ECCENTRIC HUB	1				
6	887131515	FRAME/MOTOR SUPPORT	1				
7	887131058	SPANNER TO ASSEMBLE THE STEERING SLEEVE	1				
8	887132854	BUSH INSTALLING/REMOVING PLUG	1				
9	887131062	TOOL ASSEMBLING STEERING TUBE BEARING	1				
10	887131071	STOPPER ASSEMBLING ROLLER BEARING	1				
11	887132951	TOOL BALANCING REAR WHEEL	1				
12	887132857	TOOL REMOVING SLIDING BUSHINGS	1				
13	887132562	TOOL FOR ASSEMBLING CHAIN	1				
14	887132858	TOOL INSTALLING SLIDING BUSHINGS	1				
15	887132409	TOOL ASSEMBLING SWINGARM BALL BEARING	1				
16	887133220	BENCH FOR ENGINE REPAIR	1				
17	887132856	TOOL BAR GUIDE	1				





POS.	CODE	DESCRIPTION	QTY	START DATE	END DATE	VALIDITY	NOTES
1	979000252	DDS 2 (Ducati Diagnosis System 2.0)	1			MOD:F1098S;XST:AUS,EUR,FRA,JAP;	
2	979000253	BELT TENSIONING KIT	1			MOD:F1098S;XST:AUS,EUR,FRA,JAP;	
3	979000254	MAIN CABLE	1			MOD:F1098S;XST:AUS,EUR,FRA,JAP;	
4	979000255	MAIN CABLE (CAN)	1			MOD:F1098S;XST:AUS,EUR,FRA,JAP;	
5	979000256	MAIN CABLE DDS	1			MOD:F1098S;XST:AUS,EUR,FRA,JAP;	
6	28620441A	CHIAVE "PC HASP DDS2.0"	1			MOD:F1098S;XST:AUS,EUR,FRA,JAP;	



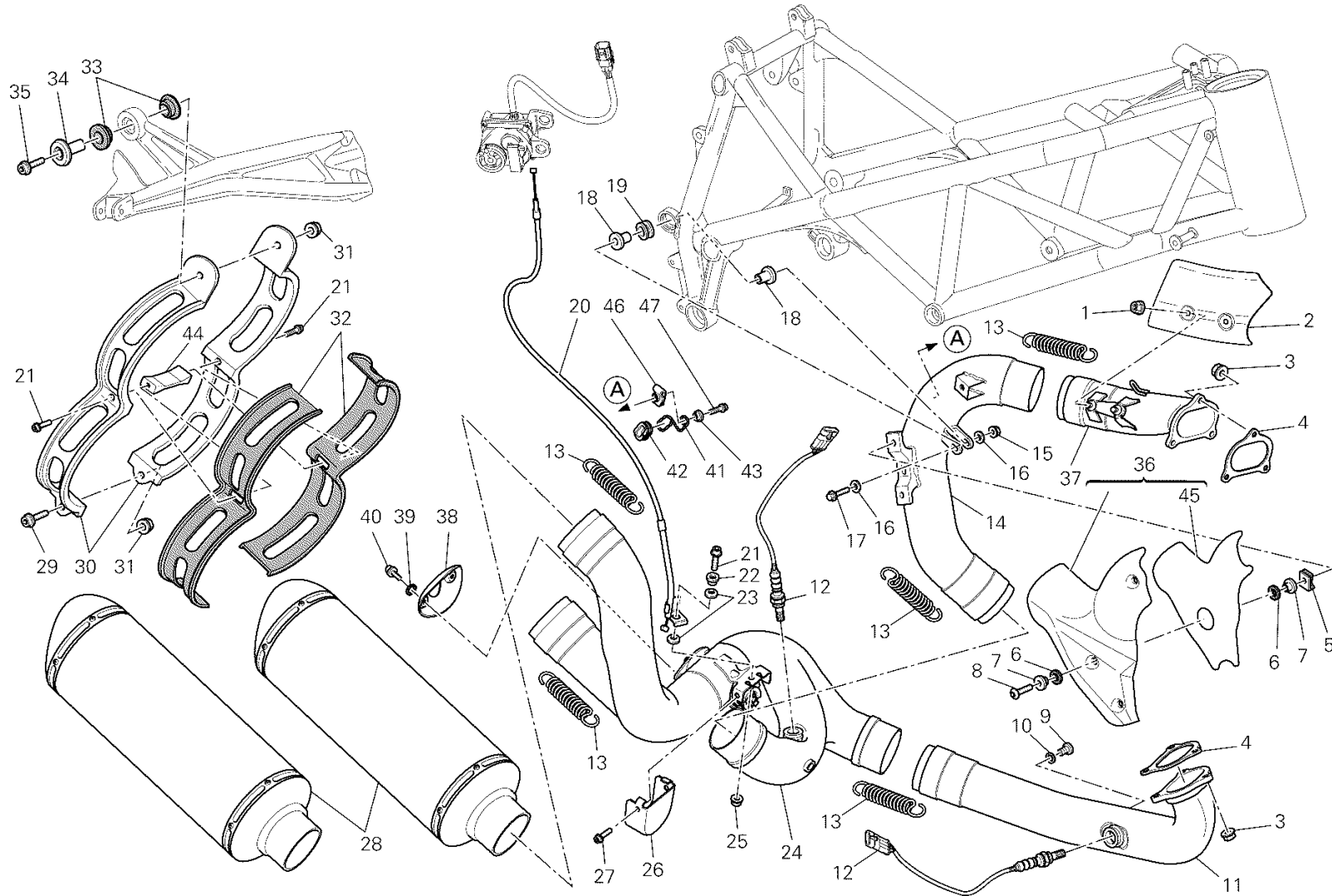
SCR00159

DRAWING 019 - EXHAUST SYSTEM [MOD:F1098S;XST:AUS,EUR,FRA,JAP,TWN]

GROUP FRAME



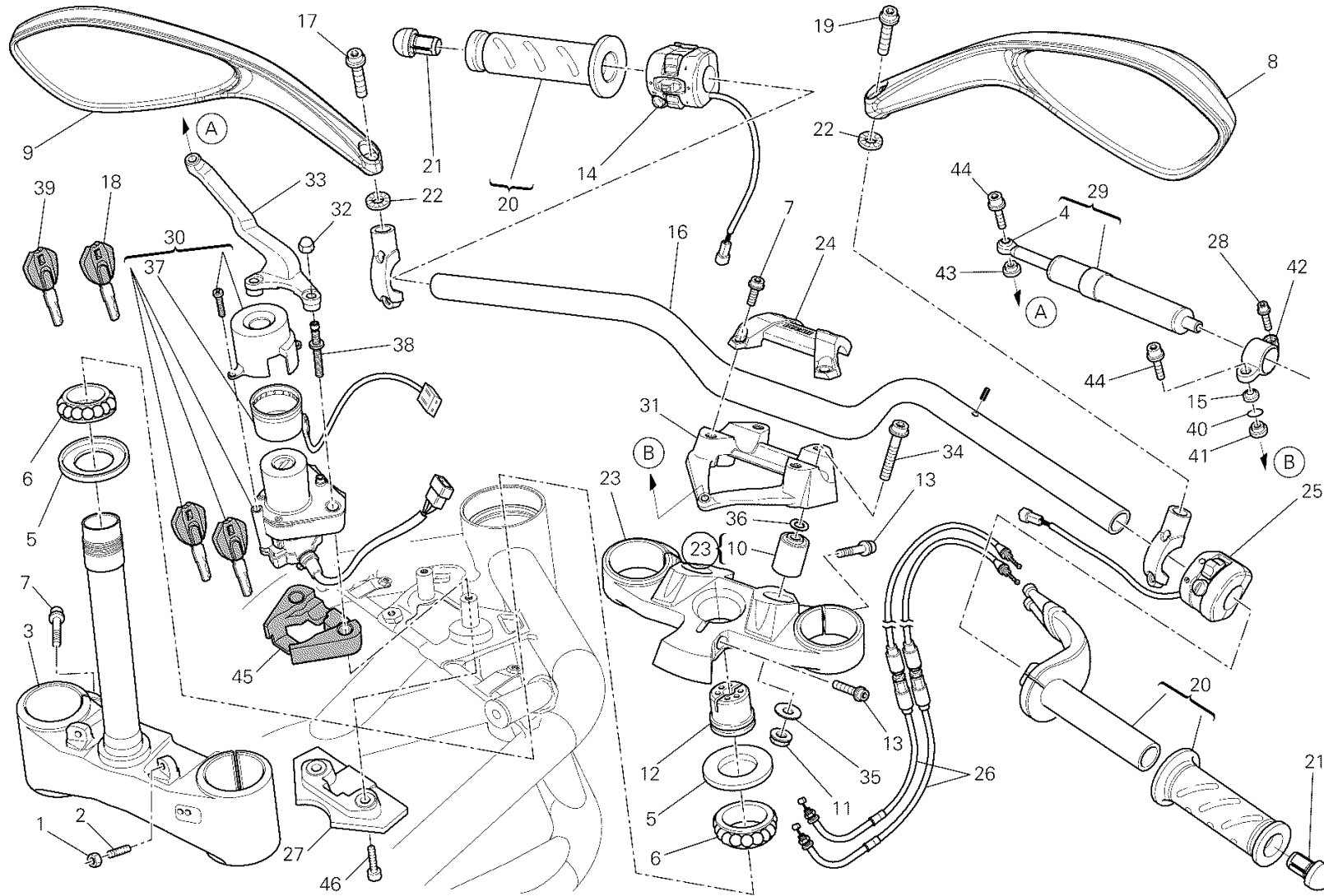
POS.	CODE	DESCRIPTION	QTY	START DATE	END DATE	VALIDITY	NOTES
1	74810361A	NUT 6MM	2				
2	46012862B	PROTECTOR, HEAT	1				
3	74810241A	NUT	6				
4	79010151A	GASKET, EXHAUST PIPE	2				
5	85041581A	CLIP NUT	3				
6	85210721A	WASHER	6				
7	71614221A	SPACER	6				
8	77210893B	SCREW TBEI M6X14	3				
9	78020011A	PLUG	2				
10	85250241A	WASHER 10X14X1	2				
11	57012591B	HORIZONTAL EXHAUST PIPE	1				
12	55211111A	SENSOR LAMBDA SOND	2				
13	79912632A	SPRING, EXHAUST PIPE	5				
14	57112602A	VERTICAL EXHAUST PIPE	1				
15	74941118B	NUT 6MM	1				
16	85211861A	WASHER 6.4X16X0.5	2				
17	77250381AB	SCREW TEF M6X30	1				
18	71614141A	SPACER	2				
19	76410641A	VIBRATION DAMPER PAD	1				
20	73220281A	CABLE	1				
21	77156408B	SCREW TCEIF M5X14	3				
22	71611441A	SPACER	1				
23	79940091A	SPRING WASHER	2				
24	57012741C	PIPE, EXHAUST CENTER	1				
25	74810351B	NUT	1				
26	46012931A	GUARD	1				
27	77156618B	SCREW	2				
28	57311121B	SILENCER	2				AUS-EUR-FRA-CHN
	57311171D	SILENCER	1				JAP-TWN
29	77157258B	SCREW TCEIF M8X25	1				
30	74110471A	SILENCER CLAMP	2				
31	74941128B	NUT M8	2				
32	78810831A	GASKET, CLAMP	2				
33	76410011A	DAMPER	2				
34	71314361A	COLLAR, SILENCER MOUNTING	1				



SCR00159



POS.	CODE	DESCRIPTION	QTY	START DATE	END DATE	VALIDITY	NOTES
35	77355068B	SCREW TCEIR M8X35	1				
36	46023591A	COVER, EXHAUST TUBE	1				
37	16013674A	EXHAUST PIPE, VERTICAL HEAD	1				
38	46012751A	GUARD, EXHAUST VALVE	1				
39	46240461A	WASHER, SPRING	2				
40	77240253C	SCREW	2				
41	88110781A	GUIDE, CABLE	1				
42	76411051A	RUBBER PAD	1				
43	71614121A	SPACER	1				
44	74110482A	SPACER	1				
45	46014051A	PROTECTOR, HEAT	1				
46	85040381A	QUICK FASTENING	1				
47	77156638B	SCREW TCEIF M6X12	1				



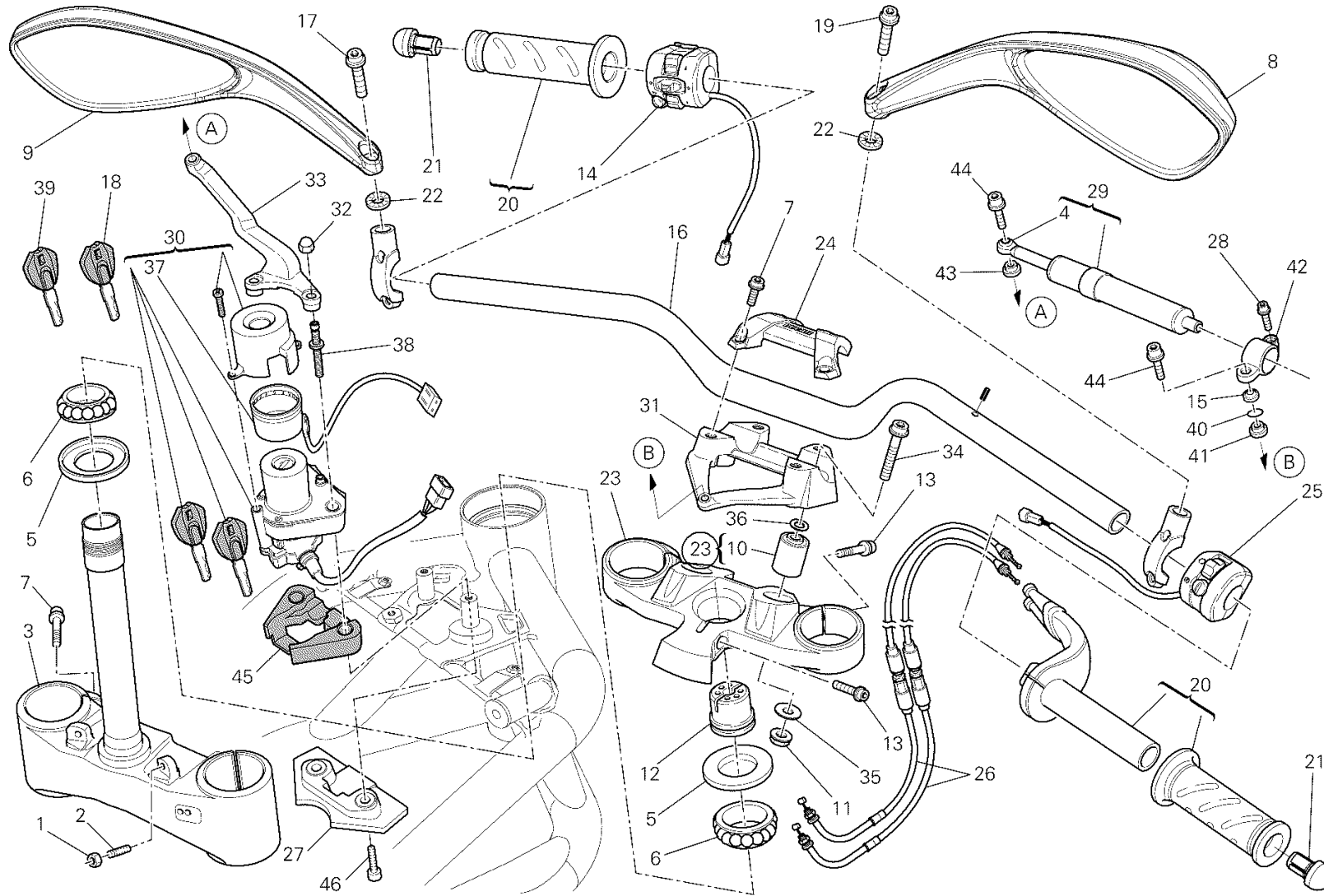
SOS00609

DRAWING 021 - HANDLEBAR [MOD:F1098S;XST:AUS,EUR,FRA,JAP,TWN]

GROUP FRAME



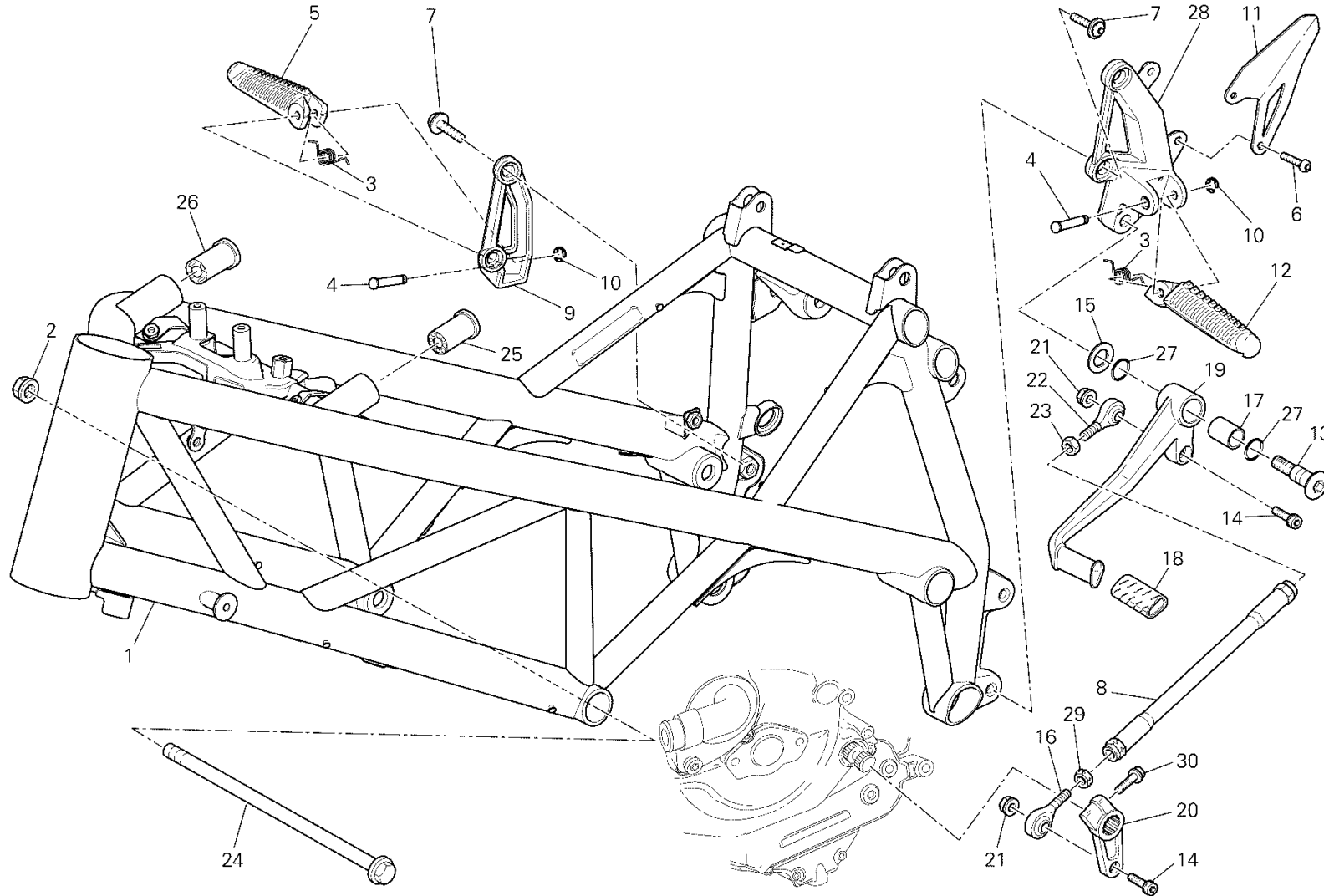
POS.	CODE	DESCRIPTION	QTY	START DATE	END DATE	VALIDITY	NOTES
1	74750031A	NUT 6MM	2				
2	77912981A	SCREW, SPECIAL	2				
3	34220571A	STEERING CROWN WITH PIN	1				
4	84820021A	BALL JOINT, STEERING DAMPER	1				
5	93010041B	SEAL RING	2				
6	70241231A	BEARING, STEERING NTN SF07A17P	2				
7	77157258B	SCREW TCEIF M8X25	10				
8	52340222A	RIGHT MIRROR	1				
9	52340232A	LEFT MIRROR	1				
10	70010541A	CUSHION, HANDLEBAR	2				
11	74840241AB	NUT M10X1.25X10	2				
12	70310131A	THREAD, STEERING HEAD TOP	1				
13	77157278B	SCREW TCEIF M8X30	3				
14	65110112C	LEFT SWITCH	1				
15	84840011A	BALL JOINT	1				
16	36011362AA	HANDLEBAR	1				
17	77113741A	SCREW TCEIF M8X25	1				
18	59840291A	KEY, NON INDENTED WITHOUT TRANSPONDER	1				
19	77113731A	SCREW TCEIF M8X25, LEFT THREAD	1				
20	65420161A	THROTTLE CONTROL	1				
21	87210581A	BALANCER SET, HANDLE BAR	2				
22	85140061A	SPRING WASHER 8 MM	2				
23	34120712AA	STEERING HEAD	1				
24	36011022A	SINGLE U-BOLT UPPER	1				
25	65010092I	RIGHT SWITCH	1				
26	65620971A	CABLE	1				
27	70010631A	VIBRATION DAMPER	1				
28	77110391A	SCREW TCEIF M6X16	1				
29	36420091A	STEERING DAMPER	1				
30	65240211A	MAIN SWITCH	1				
31	36011002A	HOLDER, HANDLE LOWER	1				
32	74940021A	NUT, SELF-LOCKING M6	2				
33	83015271A	BRACKET	1				
34	77159408B	SCREW TCEIF M10X1.25X65	2				
35	85210491B	WASHER 10.5X28X1.5	2				



SOS00609



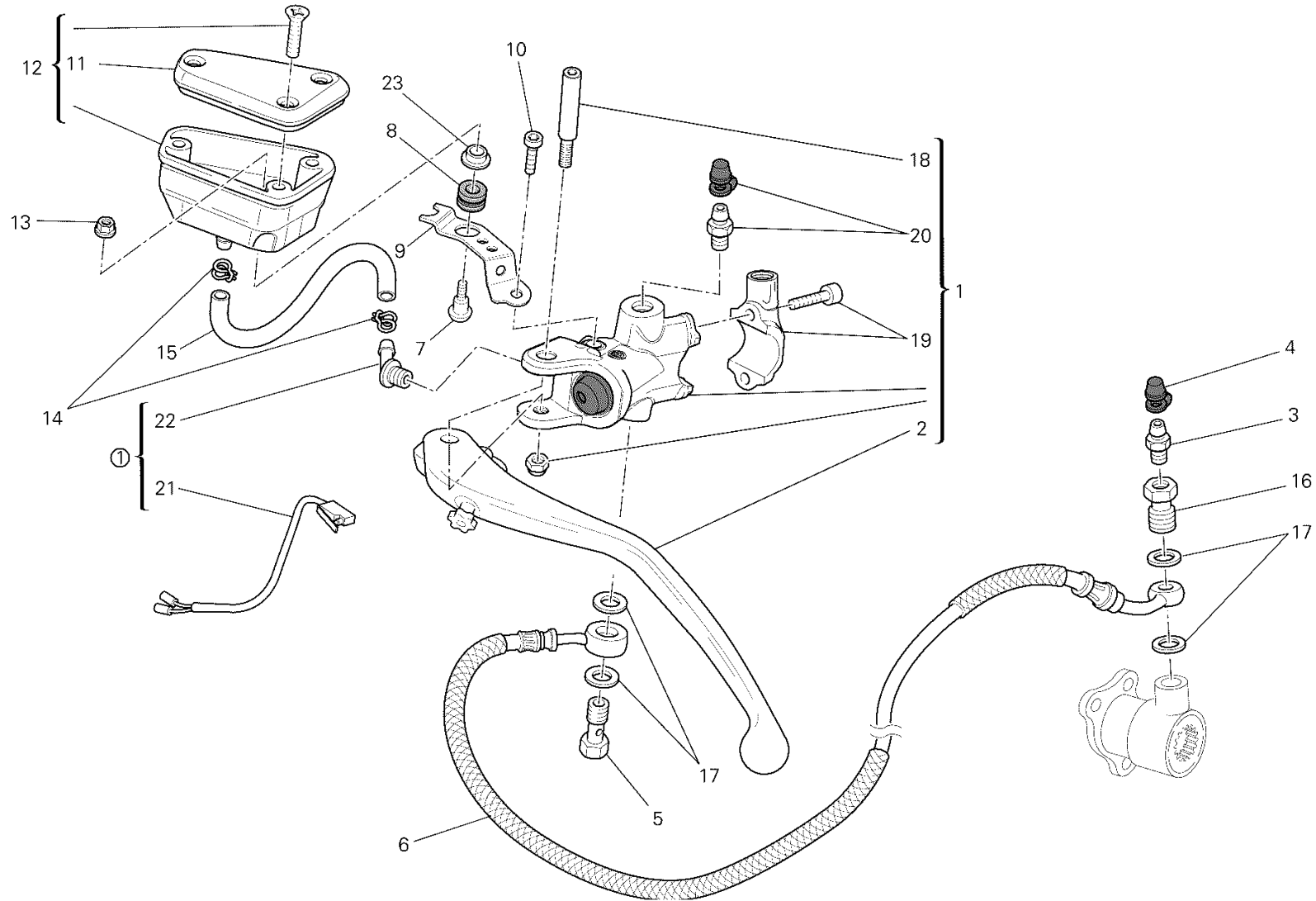
POS.	CODE	DESCRIPTION	QTY	START DATE	END DATE	VALIDITY	NOTES
36	85250401A	WASHER 10.5X18X1.6	2				
37	51840051B	COIL ANTENNA, IMMOBILIZER	1				
38	77915911A	SCREW, SPECIAL	2				
39	59840341A	WRENCH WITH TRANSPONDER	1				
40	88650141A	O-RING	1				
41	71312101A	SPACER	1				
42	80811181A	CLAMPER, STEERING DAMPER	1				
43	71614121A	SPACER	1				
44	77110461A	SCREW TCEIF M6X22	2				
45	86611161A	VIBRATION DAMPER	1				
46	77310021A	SCREW TCEIR M6X25	2				



TEL00694



POS.	CODE	DESCRIPTION	QTY	START DATE	END DATE	VALIDITY	NOTES
1	47012132AA	FRAME RED	1				
2	74840021A	NUT M12	2				
3	79911661B	SPRING. FOOTREST	2				
4	82110511AB	FOOTREST PIN	2				
5	46410561A	RIGHT FOOTREST	1				
6	77510511B	SCREW TBEI M5X10	2				
7	77210772AB	SCREW	4				
8	11710882A	ROD, GEAR SHIFT LINK	1				
9	82411551A	BRACKET FRONT RIGHT FOOTREST	1				
10	88450031A	CIRCLIP E-TYPE	2				
11	46013311A	GUARD FRONT STEP LH	1				
12	46410551A	LEFT FOOTREST	1				
13	82111701B	PIN PEDAL	1				
14	77156678B	SCREW TCEIF M6X20	2				
15	85211511A	WASHER	1				
16	84850011A	BALL JOINT, LEFT	1				
17	71210341A	BUSH	1				
18	76410112A	COVER PEDAL	1				
19	45612031A	PEDAL, GEAR CHANGE	1				
20	45610461B	LEVER SHIFT PEDAL	1				
21	74940041A	NUT, SELF-LOCKING M6	2				
22	84850021A	BALL JOINT, RIGHT	1				
23	74750101A	NUT 6MM	1				
24	77914842B	SCREW, SPECIAL	2				
25	76410511A	RUBBER PAD	1				
26	76410501A	RUBBER PAD	1				
27	88641161A	O-RING	2				
28	82411541A	BRACKET FRONT LEFT FOOTREST	1				
29	74750011AB	NUT, LEFT THREAD M6	1				
30	77110191A	SCREW TCEIF M6X20	1				



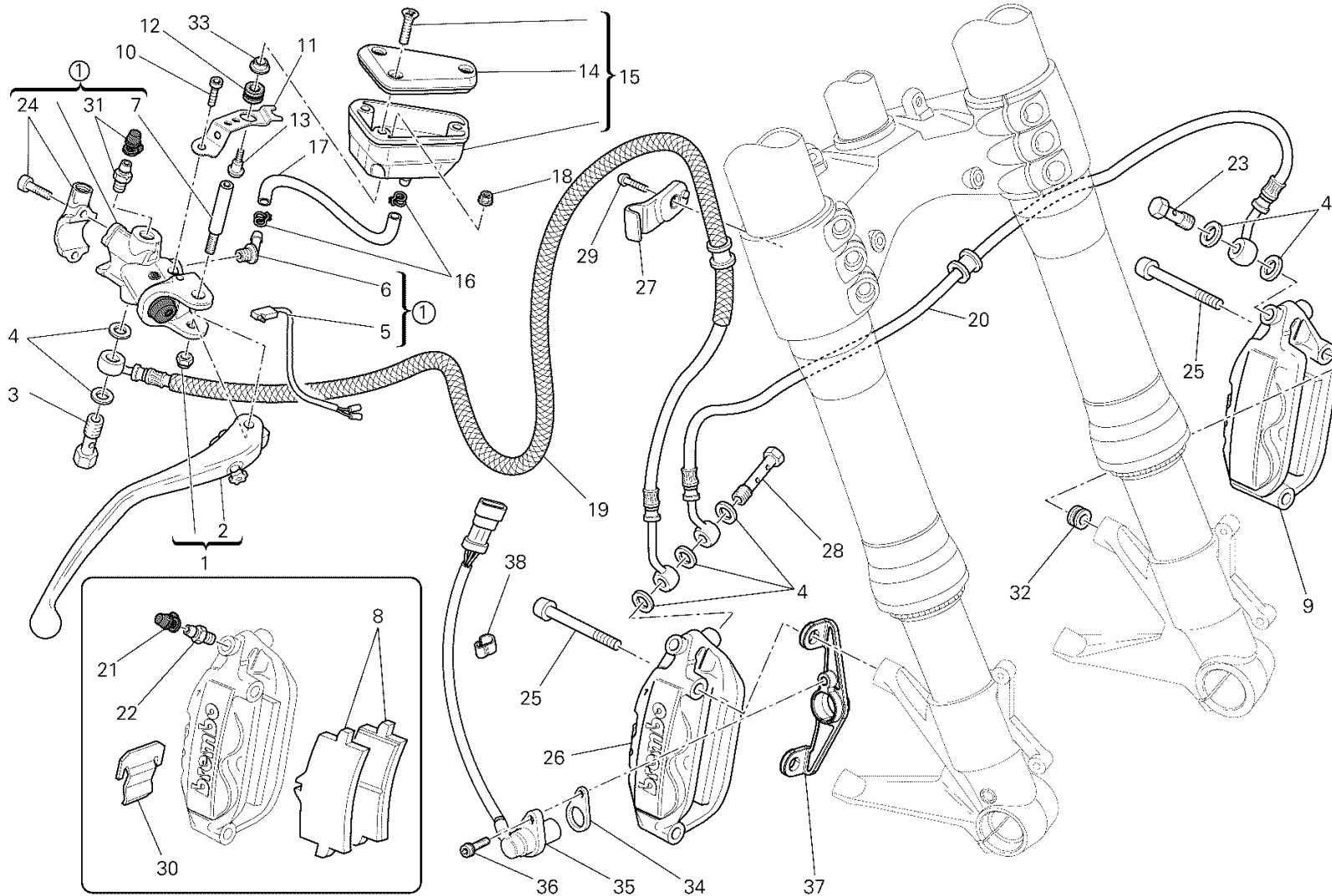
BRB00375

DRAWING 023 - CLUTCH MASTER CYLINDER [MOD:F1098S;XST:AUS,EUR,FRA,JAP,TWN]

GROUP FRAME



POS.	CODE	DESCRIPTION	QTY	START DATE	END DATE	VALIDITY	NOTES
1	63040483A	CLUTCH PUMP	1				
2	63140341A	CLUTCH LEVER	1				
3	18710021A	VALVE, BREATHER	1				
4	61240051A	DUST COVER	1				
5	77913971A	BOLT, BRAKE HOSE	1				
6	63240541A	CLUTCH CONTROL PIPE METAL PLAIED	1				
7	77910921A	SCREW	1				
8	037072020	DAMPER	1				
9	82919781A	BRACKET, BRAKE FLUID TANK	1				
10	77350623B	SCREW TCEIR M6X10	1				
11	89340081A	CLUTCH BRAKE PUMP COVER KIT	1				
12	58540101A	CLUTCH OIL TANK	1				
13	74941108B	NUT, SELF LOCKING M5	1				
14	74140431A	CLAMP	2				
15	87711381A	HOSE, OIL	1				
16	77913661AB	BOLT, BRAKE HOSE M10X1	1				
17	85250241A	WASHER 10X14X1	4				
18	62640561A	BOLT, LEVER	1				
19	62640661A	BRACKET, CLUTCH MASTER CYLINDER	1				
20	63140281A	FRONT CALIPER DRAIN SCREW	1				
21	53940361A	SWITCH, CLUTCH	1				
22	63140081A	JOINT, HOSE	1				
23	85212501A	SPACER	1				



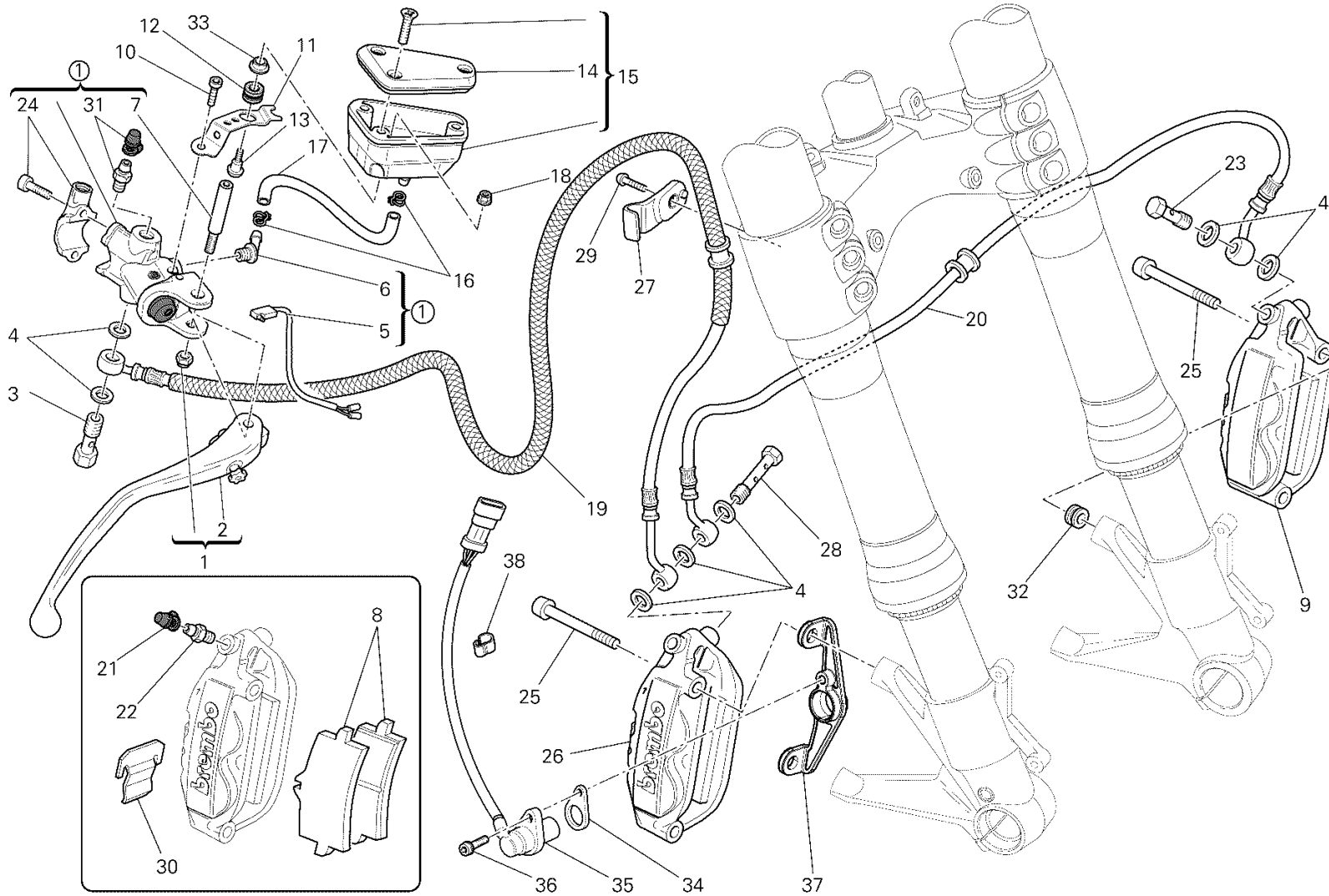
BRB00376

DRAWING 024 - FRONT BRAKE SYSTEM [MOD:F1098S;XST:AUS,EUR,FRA,JAP,TWN]

GROUP FRAME



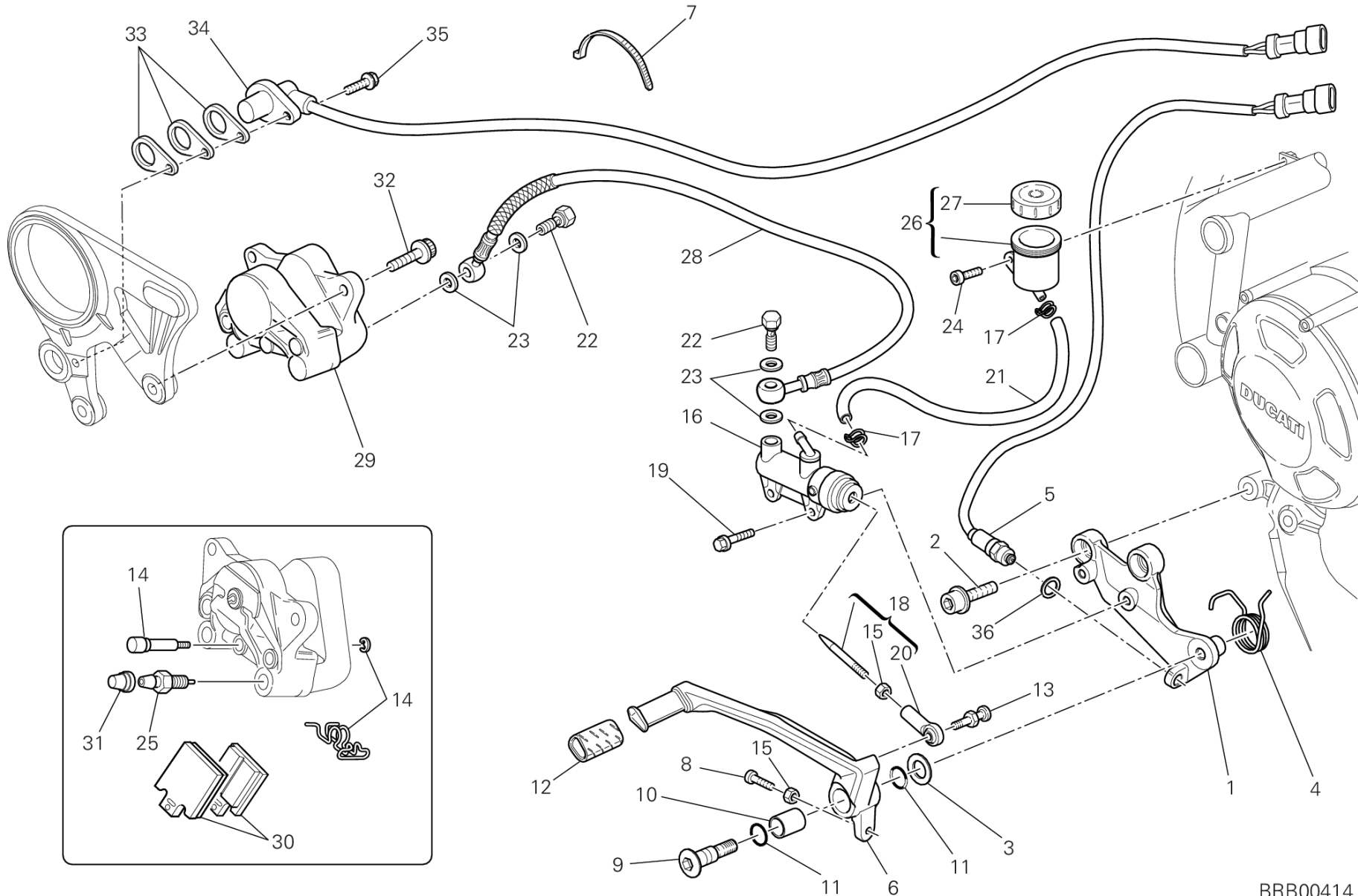
POS.	CODE	DESCRIPTION	QTY	START DATE	END DATE	VALIDITY	NOTES
1	62440572A	FRONT BRAKE PUMP	1				
2	63140331A	LEVER, FRONT BRAKE	1				
3	77914151A	BOLT, BRAKE HOSE	1				
4	85250241A	WASHER 10X14X1	7				
5	53940351A	FRONT BRAKE LIGHT SWITCH	1				
6	63140081A	JOINT, HOSE	1				
7	62640561A	BOLT, LEVER	1				
8	61340901A	PADS PAIR	2				
9	61040901C	LEFT BRAKE CALIPER	1				
10	77350623B	SCREW TCEIR M6X10	1				
11	82919791A	BRACKET, BRAKE FLUID TANK	1				
12	037072020	DAMPER	1				
13	77910921A	SCREW	1				
14	89340071A	COVER MASTER CYLINDER	1				
15	58540111A	RESERVOIR, BRAKE FLUID	1				
16	74140431A	CLAMP	2				
17	87711381A	HOSE, OIL	1				
18	74941108B	NUT, SELF LOCKING M5	1				
19	61841161A	PIPE	1				
20	61840751B	HOSE, FRONT BRAKE CALIPER-CALIPER	1				
21	61240051A	DUST COVER	2				
22	18710021A	VALVE, BREATHER	2				
23	77913971A	BOLT, BRAKE HOSE	1				
24	62640671A	BRACKET, MASTER CYLINDER	1				
25	77913311D	SCREW M 10 X 60	4				
26	61040911C	RIGHT BRAKE CALIPER	1				
27	83014791A	CLAMP, OIL HOSE	1				
28	77914651A	BOLT, BRAKE HOSE	1				
29	77510541A	SCREW TBEI M6X10	1				
30	61240371A	SPRING, PAD STOPPER	2				
31	63140281A	FRONT CALIPER DRAIN SCREW	1				
32	71313641A	SPACER	2				
33	85212501A	SPACER	1				
34	71311921A	SPACER	1				
35	55240372E	SENSOR, SPEED	1				



BRB00376



POS.	CODE	DESCRIPTION	QTY	START DATE	END DATE	VALIDITY	NOTES
36	77156658B	SCREW TCEIF M6X16	1				
37	83014771A	BRACKET, SENSOR SPEED	1				
38	75840601A	FAIRLEAD	5				



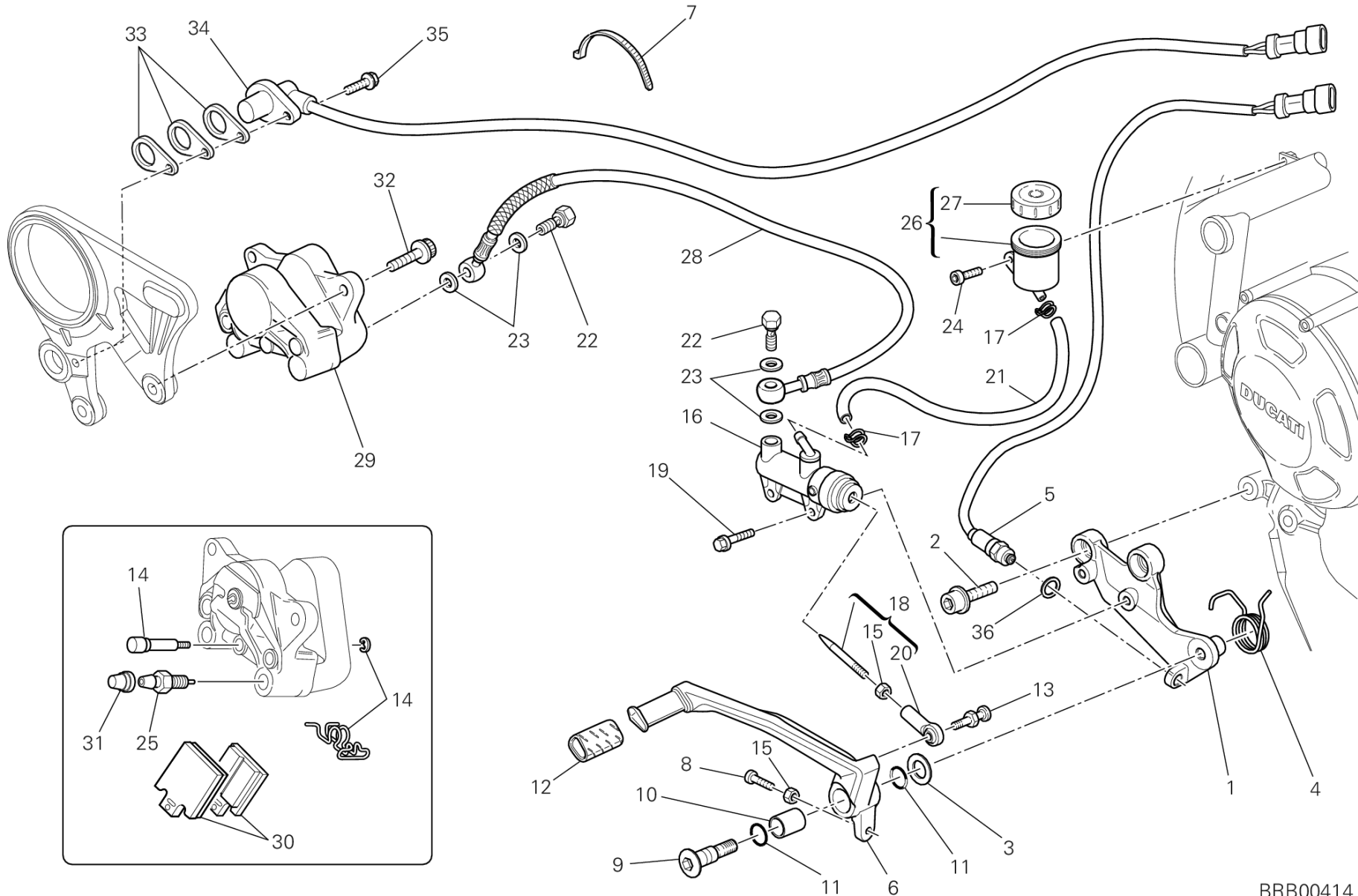
BRB00414

DRAWING 025 - REAR BRAKE SYSTEM [MOD:F1098S;XST:AUS,EUR,FRA,JAP,TWN]

GROUP FRAME



POS.	CODE	DESCRIPTION	QTY	START DATE	END DATE	VALIDITY	NOTES
1	82919841A	BRACKET, REAR MASTER CYLINDER	1				
2	77110431A	SCREW TCEIF M10X25	2				
3	85211511A	WASHER	1				
4	79912561A	SPRING	1				
5	53940031B	SWITCH, REAR BRAKE	1				
6	45710471A	PEDAL, BRAKE	1				
7	74140381A	CLAMP	3				
8	77912371B	SCREW	1				
9	82111701B	PIN PEDAL	1				
10	71210341A	BUSH	1				
11	88641161A	O-RING	2				
12	76410112A	COVER PEDAL	1				
13	82112731A	PIN	1				
14	61240161A	PAD PINS OVERHAUL KIT	1				
15	74750031A	NUT 6MM	2				
16	62540181B	REAR BRAKE PUMP	1				
17	74140431A	CLAMP	2				
18	11720611A	ROD, BRAKE	1				
19	77210631A	SCREW TEF M6X20	1				
20	18410102A	BALL JOINT	1				
21	87711391A	HOSE, OIL	1				
22	77913661AB	BOLT, BRAKE HOSE M10X1	2				
23	85250241A	WASHER 10X14X1	4				
24	77350628B	SCREW TCEIR M6X10	1				
25	63140161A	FRONT CALIPER DRAIN SCREW	1				
26	58540011A	RESERVOIR, BRAKE FLUID	1				
27	89340051A	COVER MASTER CYLINDER	1				
28	61940422B	REAR BRAKE HOSE	1				
29	61140291A	REAR BRAKE CALIPER	1				
30	61340381A	REAR BRAKE PADS SET	1				
31	61240081A	DUST PLUG	1				
32	77157238B	SCREW TCEIF M8X20	2				
33	71311921A	SPACER	1				
34	55240373E	SENSOR, SPEED	1				
35	77156658B	SCREW TCEIF M6X16	1				



BRB00414



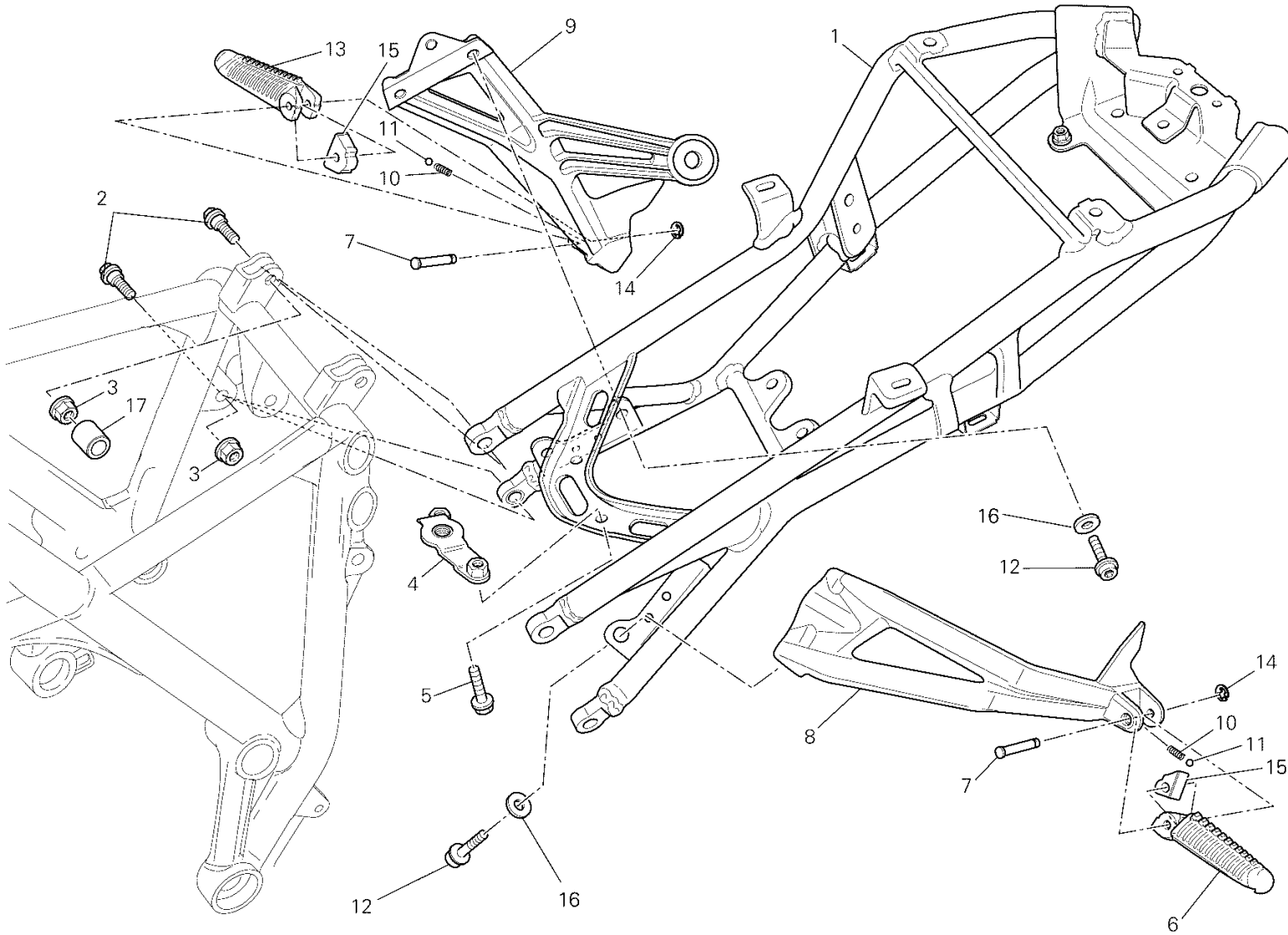
POS.	CODE	DESCRIPTION	QTY	START DATE	END DATE	VALIDITY	NOTES
36	42020008A	COPPER GASKET 11X8.2X1	1				

DRAWING 026 - WHEELS [MOD:F1098S;XST:AUS,EUR,FRA,JAP,TWN]

GROUP FRAME



POS.	CODE	DESCRIPTION	QTY	START DATE	END DATE	VALIDITY	NOTES
1	74810651A	NUT	1				
2	71311973A	LEFT SPACER	1				
3	49720012A	VALVE, TUBELESS TIRE	1				
4	77913991A	SCREW M8X20	10				
5	49241021A	DISC, FRONT BRAKE RH	1				
6	85212221A	WASHER 30X40X1	1				
7	50221251AB	REAR WHEEL	1				
8	70250451A	BEARING	2				
9	71410471A	INNER SPACER	1				
10	50121151AB	FRONT WHEEL	1				
11	81910601A	FRONT WHEEL SPINDLE	1				
12	49240891A	DISC, FRONT BRAKE LH	1				
13	75011391A	NUT	1				
14	85212211A	WASHER 48.5X65X0.5	1				
15	71413231AA	SPACER	1				
16	49720031A	VALVE, TUBELESS TIRE	1				
17	71311961A	RIGHT SPACER	1				
18	93040521A	SEAL RING 35X47.15X6.8	2				
19	75910222A	CLIP	1				



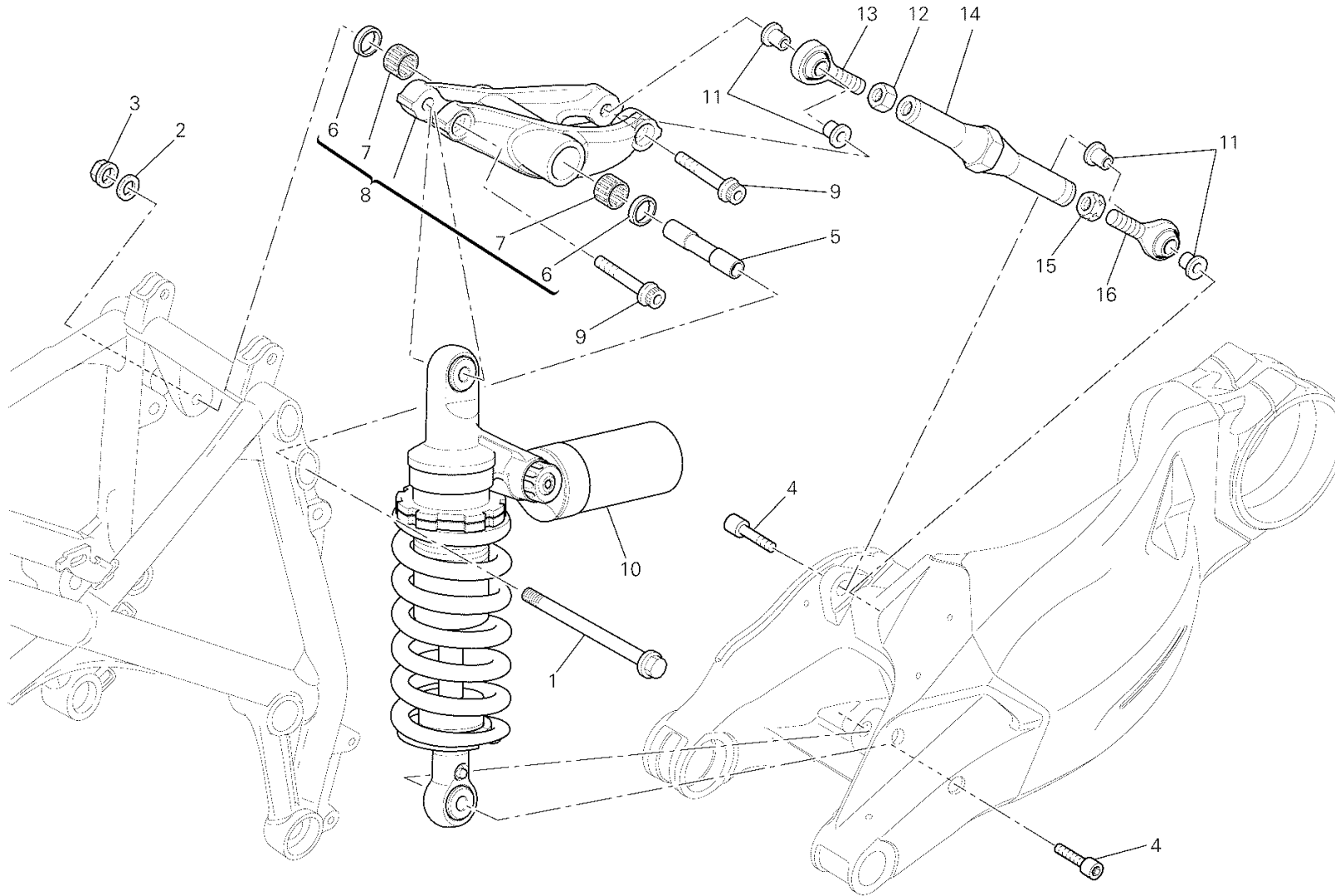
TEL00682

DRAWING 027 - REAR FRAME [MOD:F1098S;XST:AUS,EUR,FRA,JAP,TWN]

GROUP FRAME



POS.	CODE	DESCRIPTION	QTY	START DATE	END DATE	VALIDITY	NOTES
1	47017051AA	REAR FRAME COMP.	1				
2	77210873AB	SCREW	4				
3	74941128B	NUT M8	4				
4	83015431A	BRACKET, TANK	1				
5	77113691A	SCREW TCEIF M6X12	2				
6	46410551A	LEFT FOOTREST	1				
7	82110511AB	FOOTREST PIN	2				
8	82411561A	BRACKET, PILLION FOOTREST LH	1				
9	82411571A	BRACKET, PILLION FOOTREST RH	1				
10	79910241A	SPRING	2				
11	84740021A	BALL	2				
12	77157213B	SCREW TCEIF M8X16	6				
13	46410561A	RIGHT FOOTREST	1				
14	88450031A	CIRCLIP E-TYPE	2				
15	69610121A	BLOCK	2				
16	85212321A	WASHER 8.5X14X1.2	6				
17	87240651A	PLUG	2				



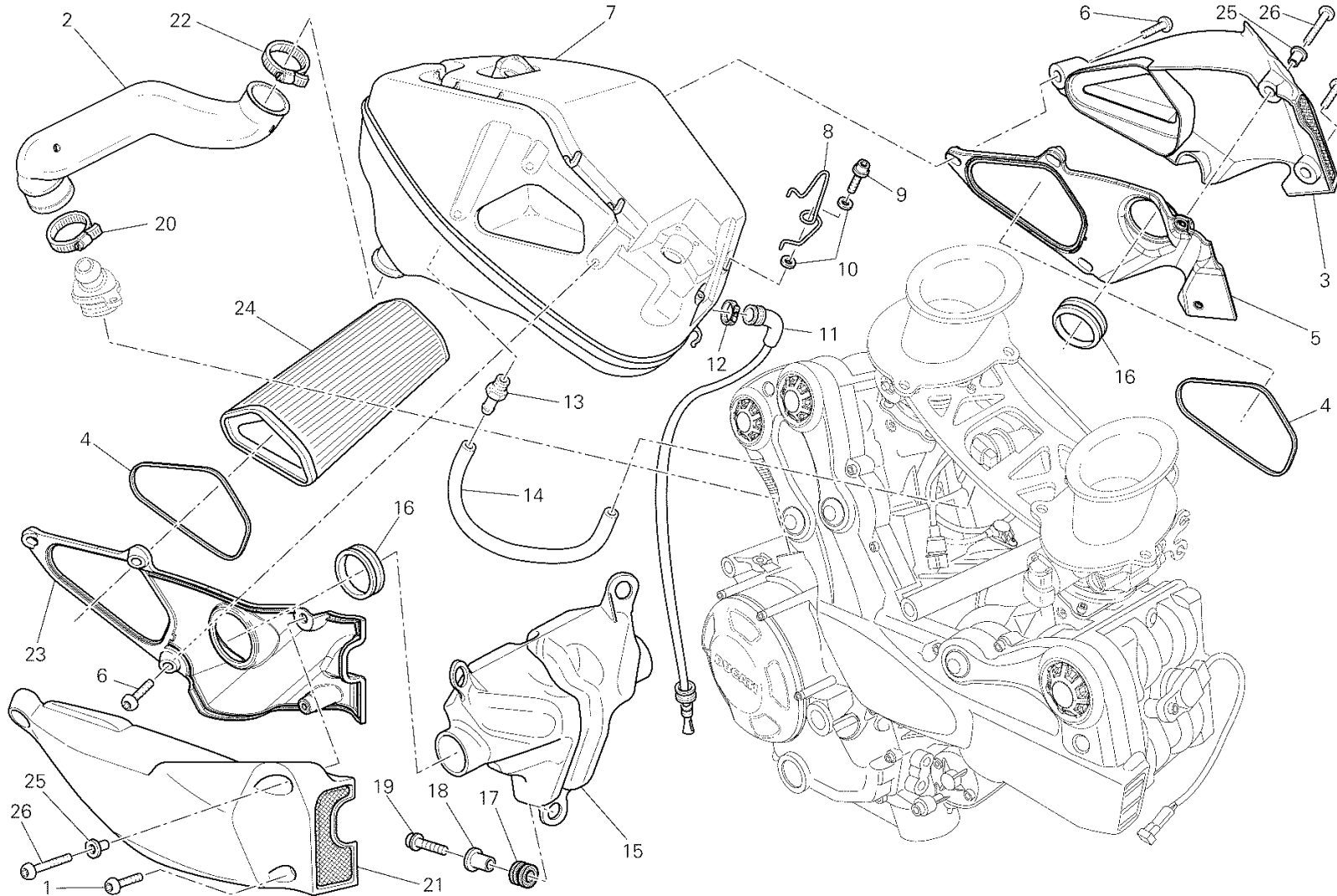
SOS00450

DRAWING 028 - REAR SHOCK ABSORBER [MOD:F1098S;XST:AUS,EUR,FRA,JAP,TWN]

GROUP FRAME



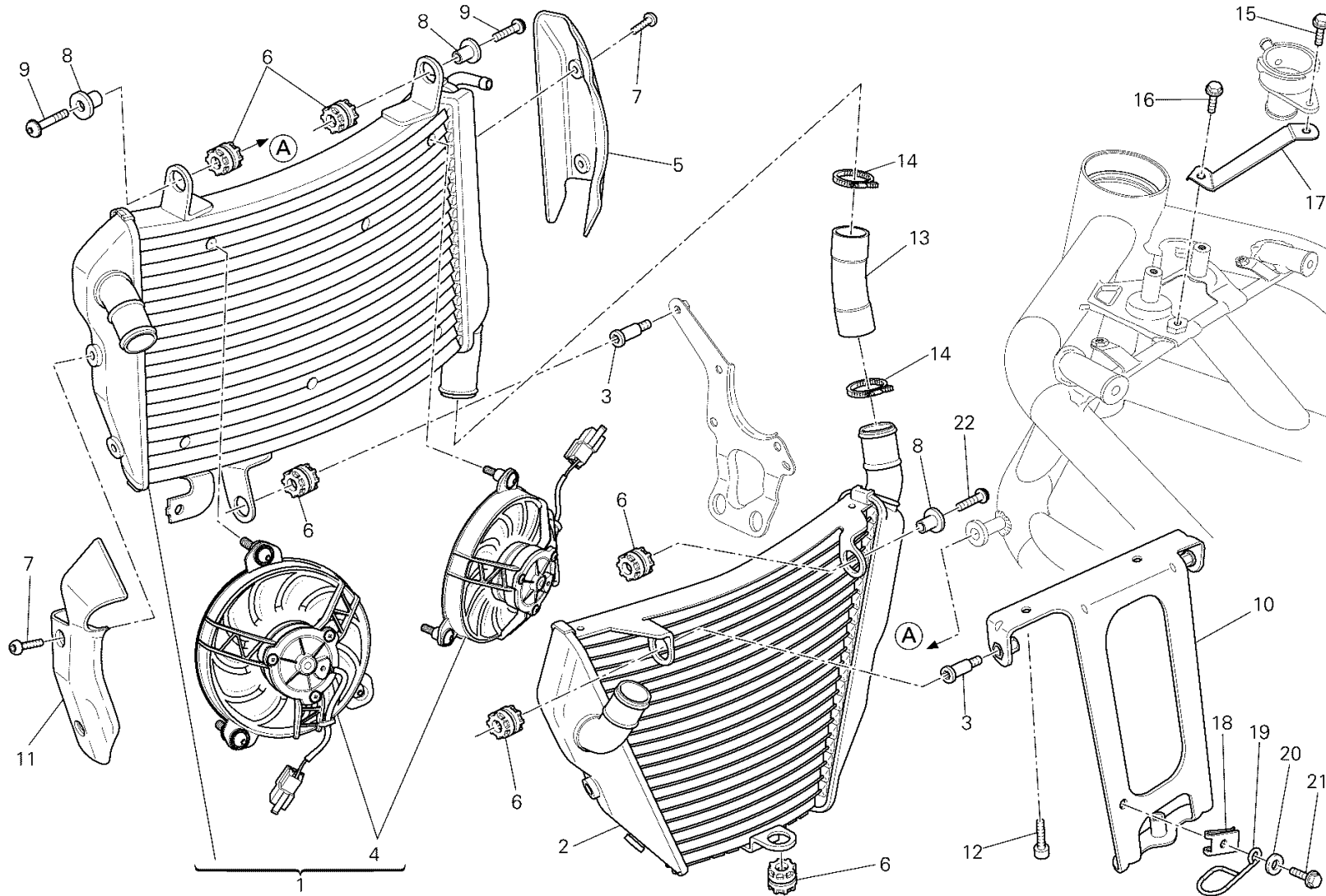
POS.	CODE	DESCRIPTION	QTY	START DATE	END DATE	VALIDITY	NOTES
1	77110311A	SCREW M10X1.25X127.5	1				
2	71312391A	WASHER	1				
3	74840371AB	NUT M10X1.25X10	1				
4	77915041A	SCREW	2				
5	71510031A	SPACER	1				
6	93040111A	OIL SEAL	2				
7	70140041A	BEARING, NEEDLE	2				
8	37220622A	LEVER SET, REAR CUSHION	1				
9	77159388B	SCREW TCEIF M10X50X1.25	2				
10	36520752A	REAR SHOCK ABSORBER	1				
11	71011321A	BUSH 10X18X11	4				
12	75010211A	NUT M12X1	1				
13	84840471A	BALL JOINT R.H.	1				
14	87511281A	ROD, REAR CUSHION LEVER	1				
15	75010221A	NUT M12X1	1				
16	84840481A	BALL JOINT L.H.	1				



RAF00398



POS.	CODE	DESCRIPTION	QTY	START DATE	END DATE	VALIDITY	NOTES
1	77211091A	SCREW TBEI M5X12	2				
2	87611022B	HOSE, DRAIN	1				
3	48420751B	AIR MANIFOLD EXTERNAL L.H.	1				
4	78810981A	SEAL, AIR DUCT	2				
5	48410771B	AIR MANIFOLD INTERNAL L.H.	1				
6	77210422A	SCREW	6				
7	44211393B	CASE, AIR CLEANER	1				
8	75810361A	FAIRLEAD	1				
9	77310051A	SCREW TCEIR M4X10	1				
10	85240211A	WASHER 4.7X10X1	2				
11	87720061B	HOSE, DRAIN	1				
12	74140631A	CLAMP	1				
13	81413111A	PRESSURE PICK-UP POINT	1				
14	93410101A	DUCT, AIR	1				
15	44211841A	RESONATOR, AIR INTAKE	1				
16	79110671A	GASKET	2				
17	76410901A	RUBBER PAD	3				
18	71611431A	SPACER 5.5X10X16	3				
19	77112261A	SCREW TCEIF M5X18	3				
20	74141861A	CLAMP 20-32 MM	1				
21	48420761B	AIR MANIFOLD EXTERNAL R.H.	1				
22	74141651A	CLAMP	1				
23	48410781B	AIR MANIFOLD INTERNAL R.H.	1				
24	42610201A	FILTER, AIR	1				
25	71614071A	SPACER 5.2X8.4X2	2				
26	77210861B	SCREW TBEI M5X18	2				



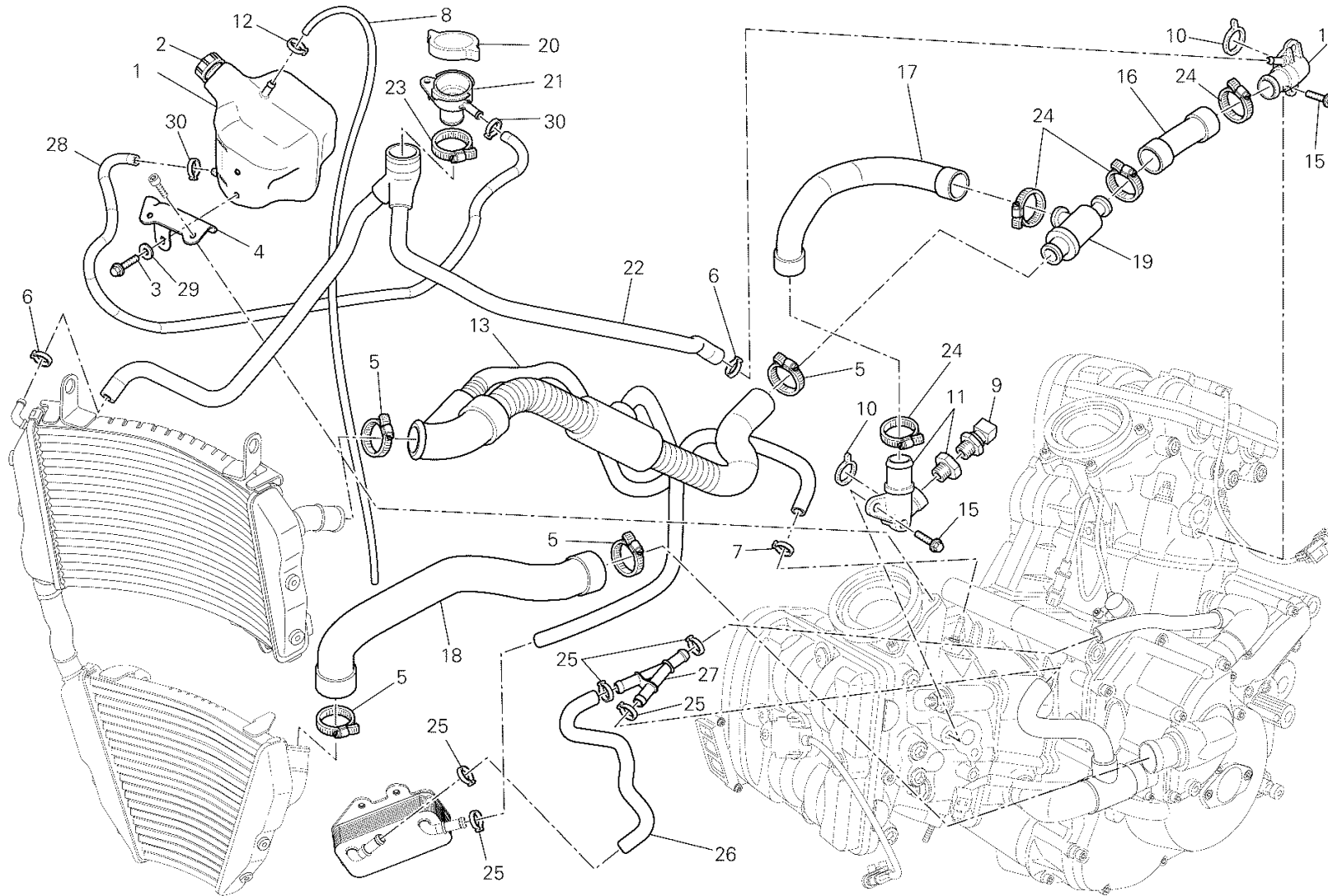
RAF00399

DRAWING 030 - WATER COOLER [MOD:F1098S;XST:AUS,EUR,FRA,JAP,TWN]

GROUP FRAME



POS.	CODE	DESCRIPTION	QTY	START DATE	END DATE	VALIDITY	NOTES
1	54840831A	RADIATOR, WATER UPPER	1				
2	54840841A	RADIATOR, WATER LOWER	1				
3	77912021C	SCREW, SPECIAL	1				
4	55040201A	ELECTRIC FAN	2				
5	46013661AB	COOLER COWLING R.H. BLACK	1				
6	76410241A	VIBRATION DAMPER PAD	6				
7	77510541A	SCREW TBEI M6X10	4				
8	71614191A	SPACER	3				
9	77240463C	SCREW TBEIF M6X25	2				
10	82927661A	BRACKET, RDTR SUP LOWER	1				
11	46013671AB	COOLER COWLING L.H. BLACK	1				
12	77150648B	SCREW TCEI M6X14	2				
13	80011702A	HOSE, RADIATOR	1				
14	74141901A	CLAMP 20-35 MM	2				
15	77210471B	SCREW TEF M5X12	1				
16	77210591A	SCREW TEF M6X10	1				
17	68410731A	BRACKET, RADIATOR FILLER	1				
18	85040381A	QUICK FASTENING	1				
19	88110231A	RING	1				
20	85250271A	WASHER 6.2X12X1	1				
21	77210611A	SCREW TEF M6X14	1				
22	77240483C	SCREW	1				



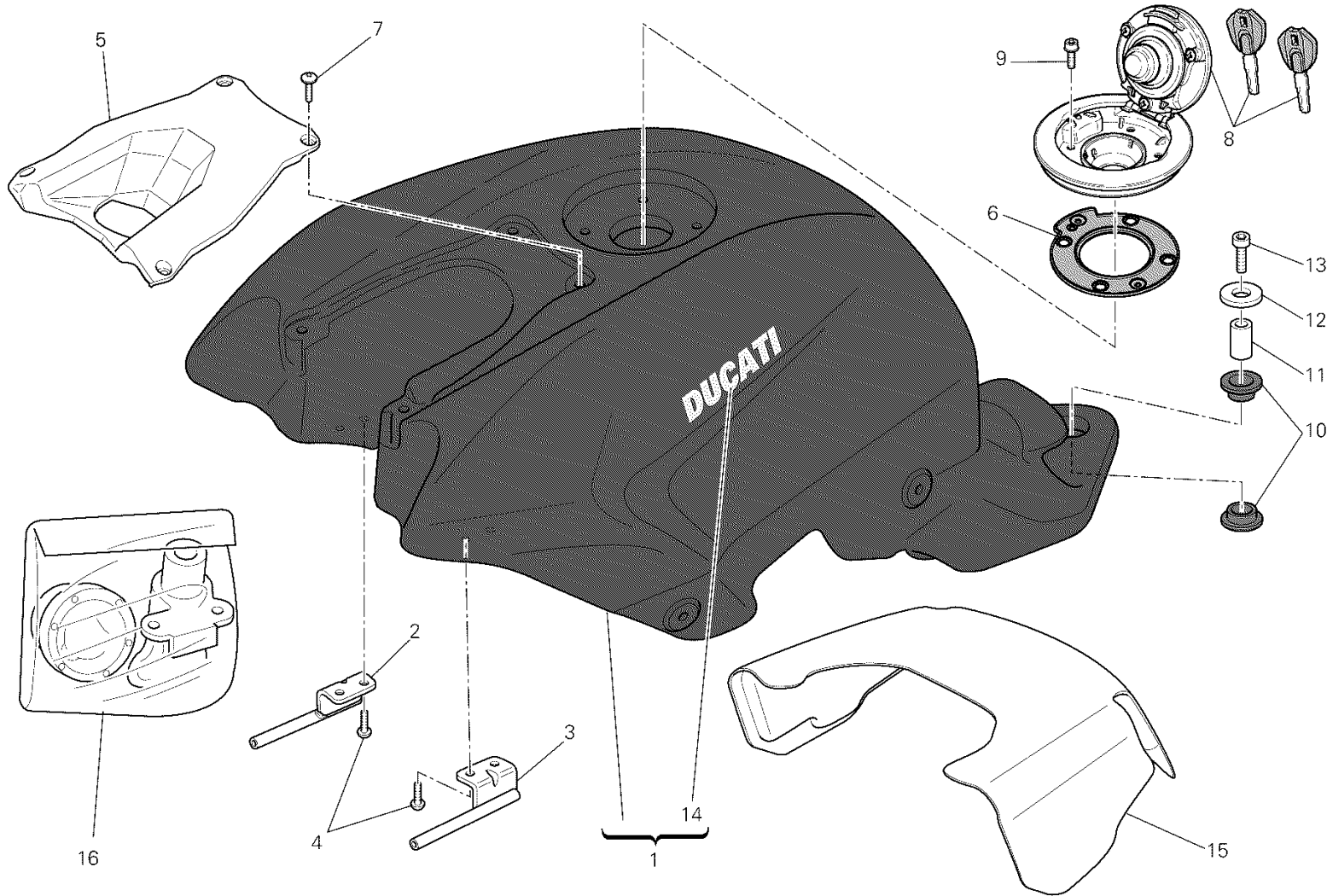
RAF00400

DRAWING 031 - COOLING CIRCUIT [MOD:F1098S;XST:AUS,EUR,FRA,JAP,TWN]

GROUP FRAME



POS.	CODE	DESCRIPTION	QTY	START DATE	END DATE	VALIDITY	NOTES
1	58510641A	TANK, WATER RESERVOIR	1				
2	89310143A	TANK CAP	1				
3	77210591A	SCREW TEF M6X10	2				
4	83014411A	BRACKET, WATER TANK	1				
5	74141901A	CLAMP 20-35 MM	4				
6	74141981A	CLAMP	2				
7	74140011A	CLAMP 12MM	1				
8	93410061A	BREATHER PIPE	1				
9	55240131A	WATER TEMPERATURE SENSOR	1				
10	88641031A	O-RING	2				
11	81412361C	JOINT, WATER HOSE HORIZONTAL	1				
12	8A0067610	CLAMP 11MM	1				
13	80011713A	SLEEVE	1				
14	81413261A	JOINT, WATER HOSE VERTICAL	1				
15	77210623B	SCREW	4				
16	80011722A	THERMOSTAT/PUMP HOSE VERTICAL	1				
17	80011731A	HOSE COOLING, THERMOSTAT HORIZONTAL HEAD	1				
18	80011691A	HOSE COOLING, PUMP COOLER	1				
19	55340041A	THERMO-SWITCH	1				
20	87240601A	RADIATOR CAP	1				
21	66840011A	SUPT, FILLER NECK	1				
22	80011772A	COOLER/CAP HOSE	1				
23	74141561A	CLAMP	1				
24	74141921A	CLAMP 16-27 MM	4				
25	74141301A	CLAMP	5				
26	80011761A	HOSE, WATER	1				
27	81413271A	THREE-WAYS UNION	1				
28	93410123A	BREATHER PIPE	1				
29	85211761A	WASHER 6.4X12.5X1.6	2				
30	74140041A	CLAMP	2				



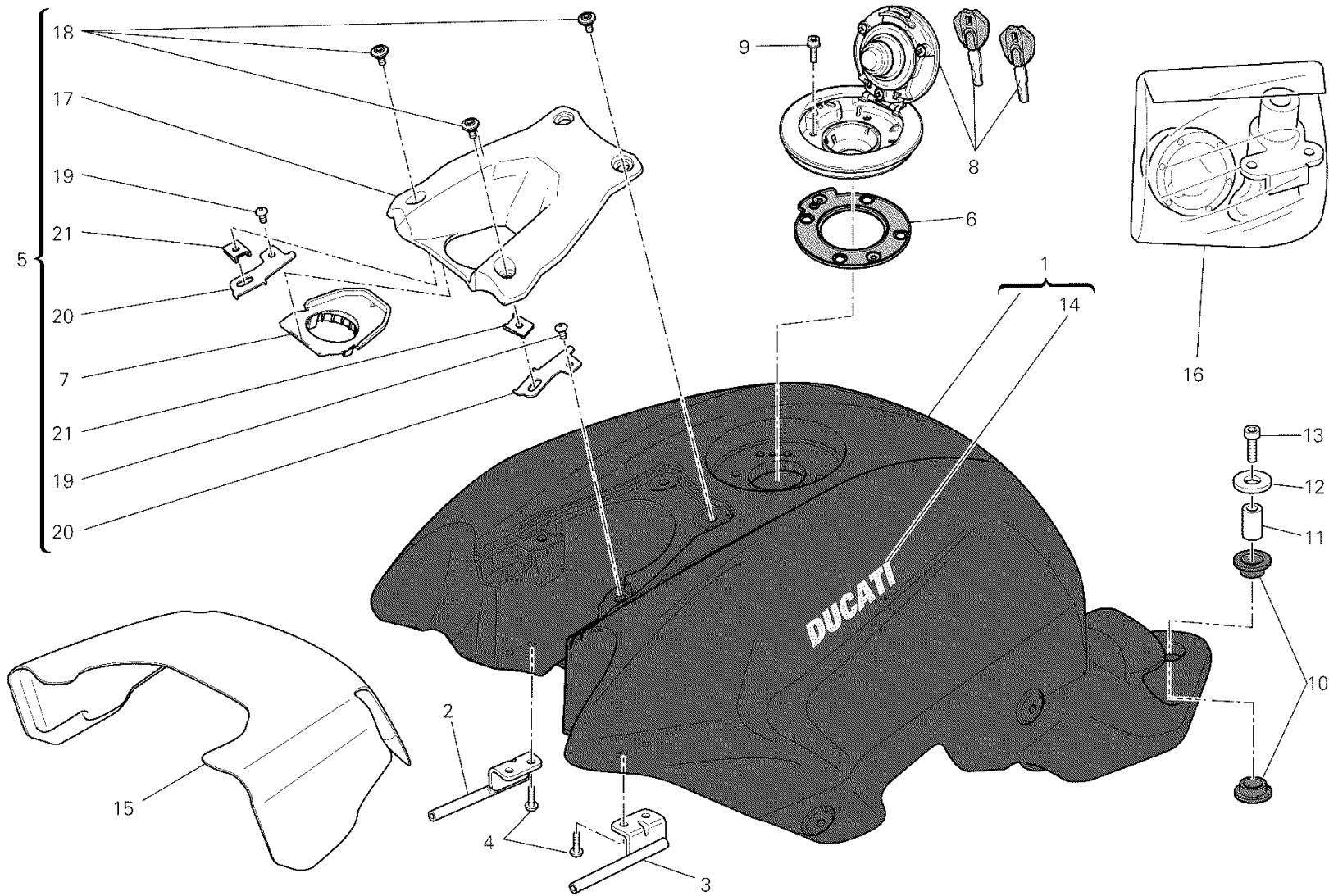
VST01064

DRAWING 032 - FUEL TANK [MOD:F1098S;XST:AUS,EUR,FRA,JAP]

GROUP FRAME



POS.	CODE	DESCRIPTION	QTY	START DATE	END DATE	VALIDITY	NOTES
1	58611721AA	FUEL TANK	1				ROSSO-RED-ROUGE-ROT-ROJO
	58611721CG	FUEL TANK	1				RACE TITANIUM
2	58710512A	BRACKET, FUEL TANK RIGHT	1				
3	58710522A	BRACKET FUEL TANK LEFT	1				
4	77210501C	SCREW TEF M6X12	4				
5	48012691A	COVER	1				
6	86640061A	GASKET, FUEL TANK CAP	1				
7	77510511B	SCREW TBEI M5X10	4				
8	89520201A	CAP SET, FUEL TANK	1				
9	77156408B	SCREW TCEIF M5X14	4				
10	76410011A	DAMPER	2				
11	71313301A	SPACER 8.2X12X24	1				
12	85210991A	WASHER	1				
13	77157288B	SCREW TCEIF M8X35	1				
14	43813651AA	STICKER "DUCATI"	2				for ROSSO-RED-ROUGE-ROT-ROJO
	43813651AK	STICKER "DUCATI"	2				for RACE TITANIUM
15	48610811A	INSULATING PANEL	1				
16	59821001A	LOCKS KIT	1				



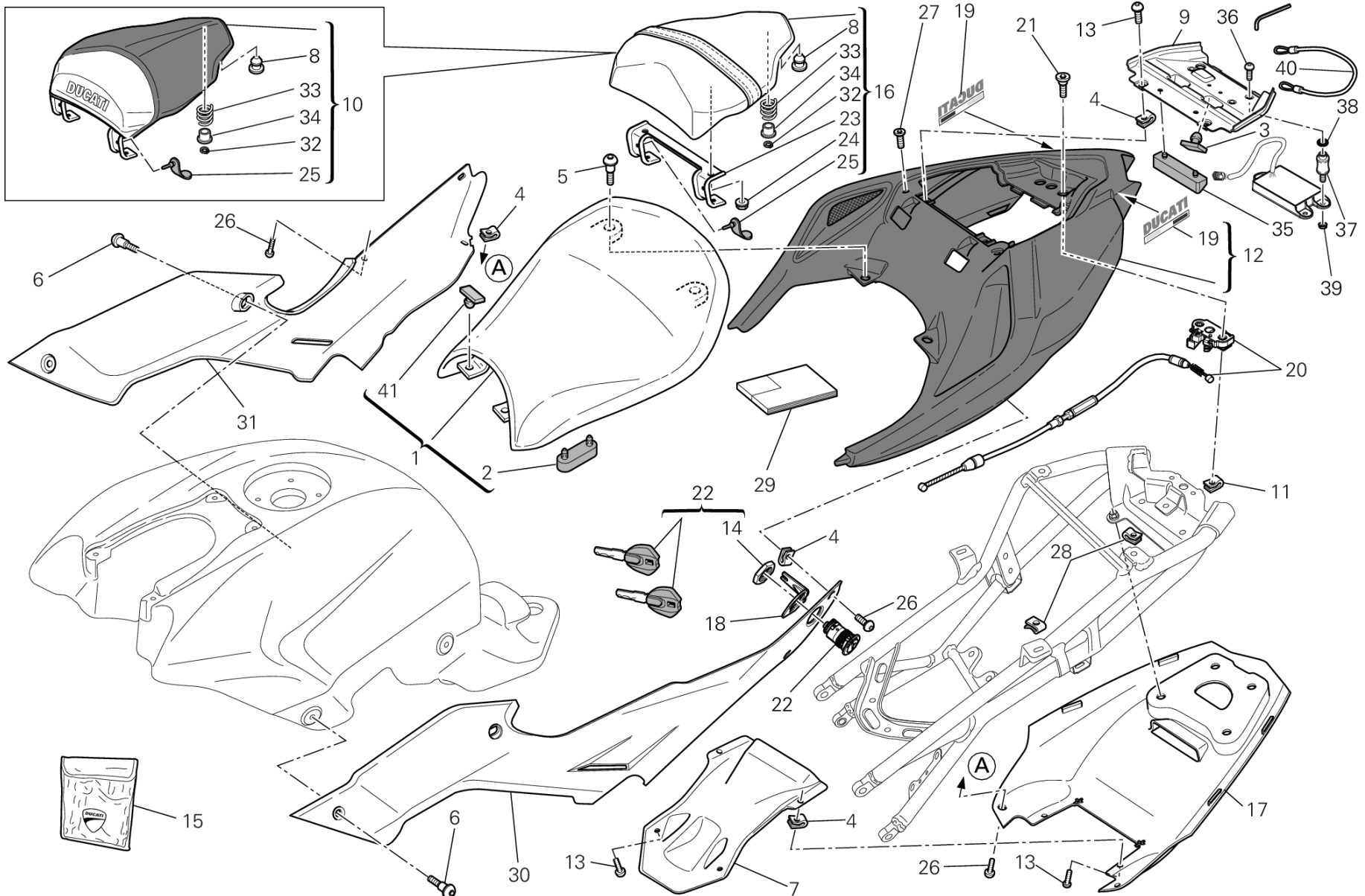
VST01105

DRAWING 032 - FUEL TANK [MOD:F1098S;XST:TWN]

GROUP FRAME

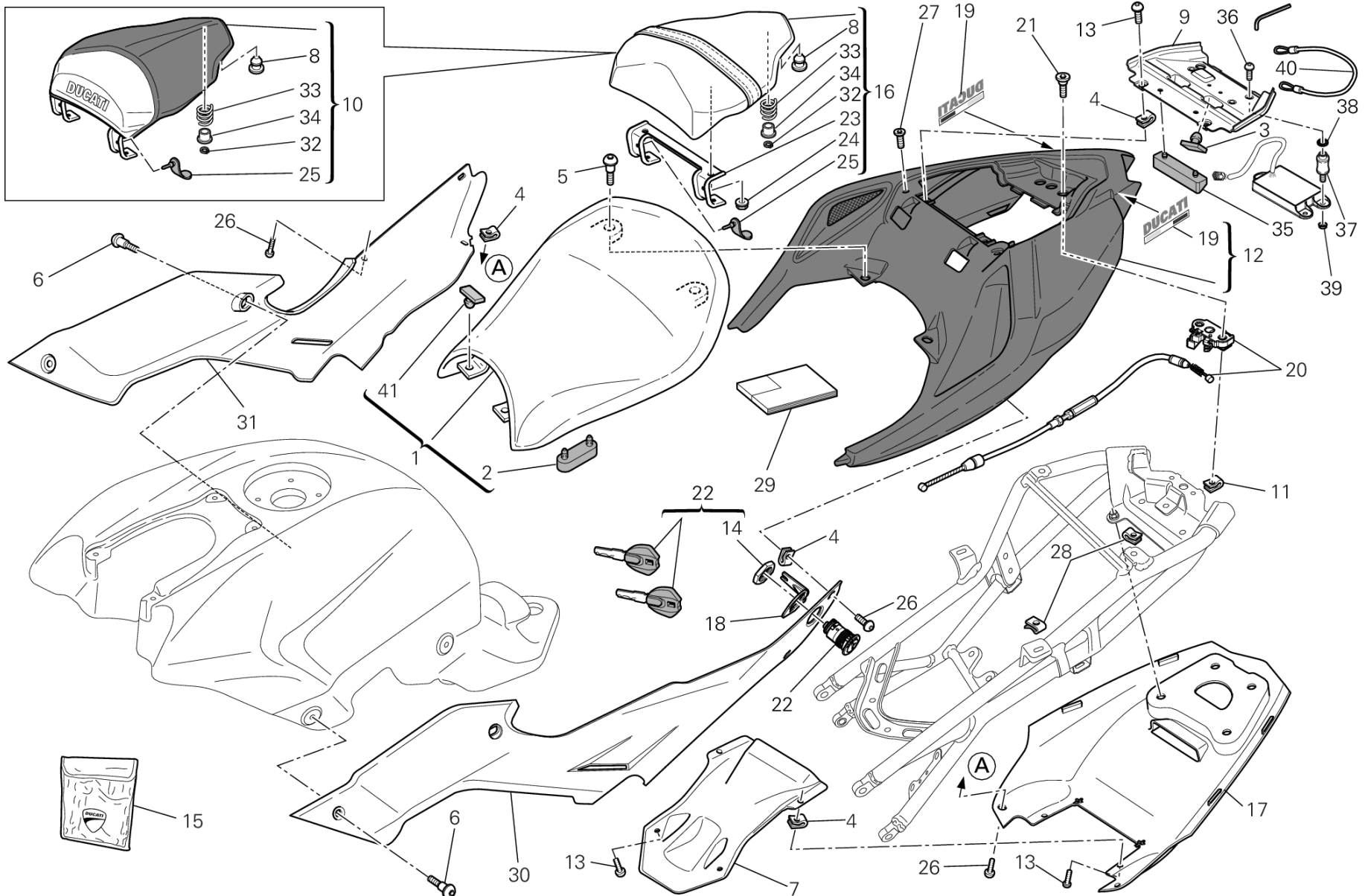


POS.	CODE	DESCRIPTION	QTY	START DATE	END DATE	VALIDITY	NOTES
1	58611861AA	TANK RED	1				ROSSO-RED-ROUGE-ROT-ROJO
	58611861CG	TANK	1				RACE TITANIUM
2	58710512A	BRACKET, FUEL TANK RIGHT	1				
3	58710522A	BRACKET FUEL TANK LEFT	1				
4	77210501C	SCREW TEF M6X12	4				
5	69926331A	COVER	1				
6	86640061A	GASKET, FUEL TANK CAP	1				
7	48015441A	COVER	4				
8	89520201A	CAP SET, FUEL TANK	1				
9	77156408B	SCREW TCEIF M5X14	4				
10	76410011A	DAMPER	2				
11	71313301A	SPACER 8.2X12X24	1				
12	85210991A	WASHER	1				
13	77157288B	SCREW TCEIF M8X35	1				
14	43813651AA	STICKER "DUCATI"	2				for ROSSO-RED-ROUGE-ROT-ROJO
	43813651AK	STICKER "DUCATI"	2				for RACE TITANIUM
15	48610811A	INSULATING PANEL	1				
16	59821001A	LOCKS KIT	1				
17	48015361A	COVER	1				
18	77210853B	SCREW TCEI M5X9	4				
19	77550251B	SCREW	2				
20	82716481AA	PLATE	2				
21	85040551A	QUICK FASTENING	2				



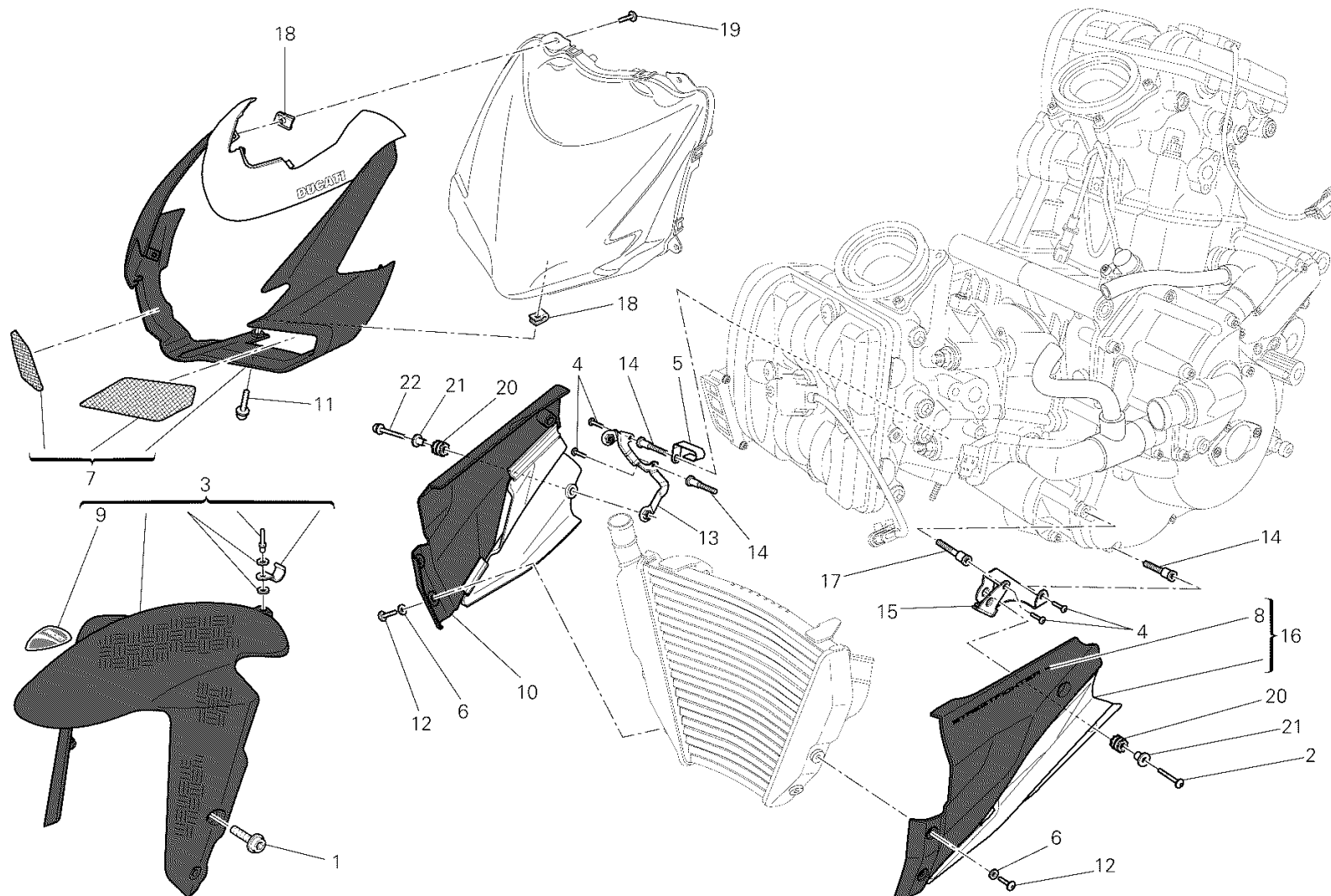


POS.	CODE	DESCRIPTION	QTY	START DATE	END DATE	VALIDITY	NOTES
1	59511002A	SEAT	1				
2	86611041A	CUSHION, SEAT	4				
3	86611181A	RUBBER PAD	2				
4	85040471A	QUICK FASTENING M5	10				
5	77210842A	SCREW TCEI M5X8.5	2				
6	77210853B	SCREW TCEI M5X9	4				
7	48330821B	COVER, TAIL GUARD	1				
8	86611071A	RUBBER PAD REAR	4				
9	48310813A	LOCKER	1				
10	24723424AA	COVER SEAT	1				ROSSO-RED-ROUGE-ROT-ROJO
	24723424CG	COVER SEAT	1				RACE TITANIUM
11	85040381A	QUICK FASTENING	2				
12	48320751AA	REAR FAIRING	1				ROSSO-RED-ROUGE-ROT-ROJO
	48320751CG	REAR FAIRING	1				RACE TITANIUM
13	77211091C	SCREW	4				
14	75011551A	NUT M22X1.5	1				
15	69720252A	TOOLS KIT	1				
16	59521012A	PILLION RIDER SEAT	1				
17	48310761A	CODONE INFERIORE	1				
18	82714821A	PLATE	1				
19	43810811A	EMBLEM DUCATI	2				for ROSSO-RED-ROUGE-ROT-ROJO
	43816101A	EMBLEM DUCATI	2				for RACE TITANIUM
20	59810131A	LOCK LATCH	1				
21	77914982A	SCREW TCPEI M6	2				
22	59820611A	SEAT LOCK	1				
23	83015641A	HOOK, SEAT	1				
24	74941118B	NUT 6MM	2				
25	76410541A	RUBBER PAD	4				
26	77211091A	SCREW TBEI M5X12	6				
27	77914992A	SCREW TCEI M5X9	2				
28	85040551A	QUICK FASTENING	14				
29	91371891F	OWNER'S MANUAL	1				I-ENG-F-D
	91371891G	OWNER'S MANUAL	1				ENG-E-F-J
	91371891H	OWNER'S MANUAL	1				E-P-GR
	91371891L	OWNER'S MANUAL	1				F-NL-CN





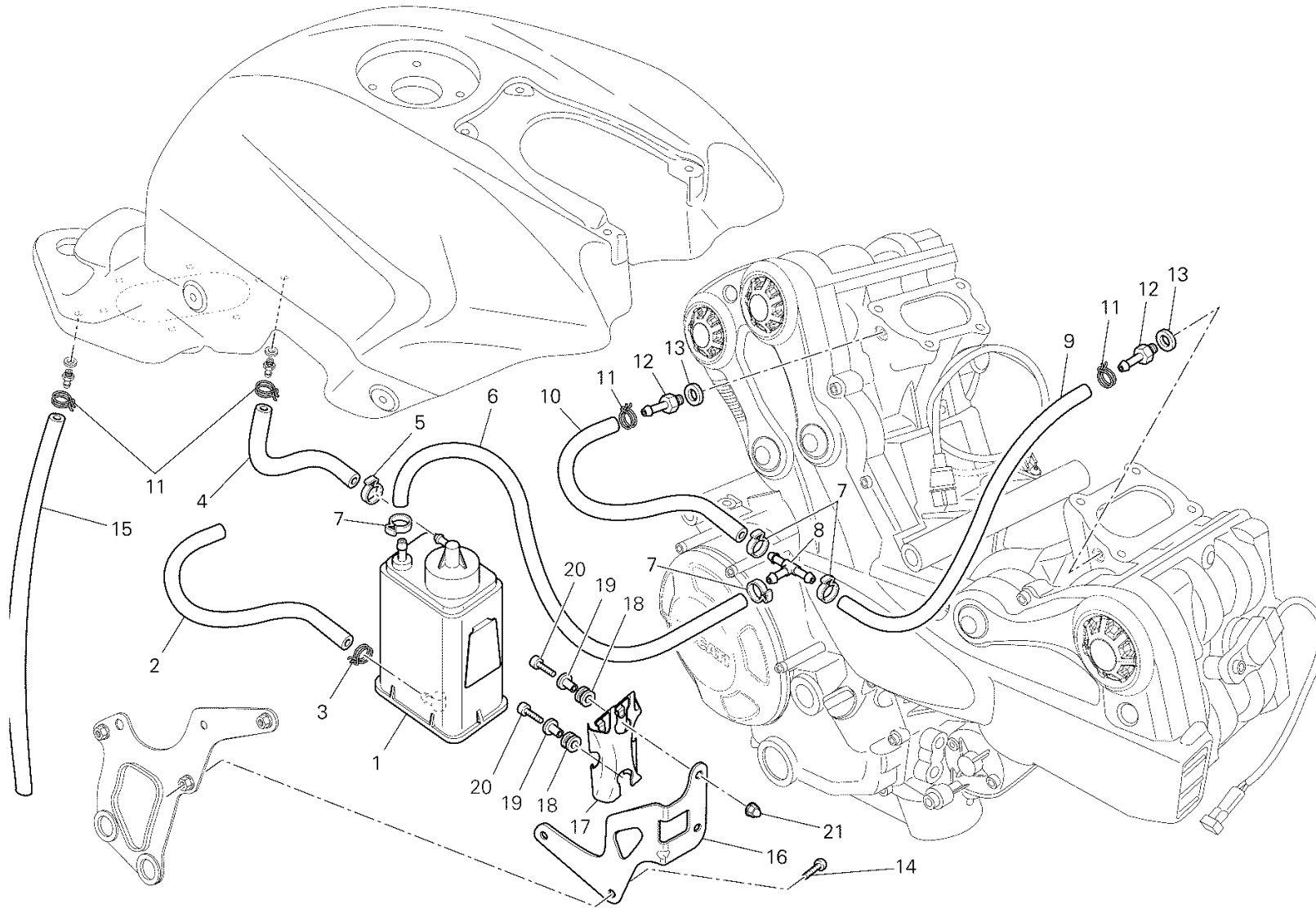
POS.	CODE	DESCRIPTION	QTY	START DATE	END DATE	VALIDITY	NOTES
	91371891M	OWNER'S MANUAL	1				S-FIN-DK-N
	91371891N	OWNER'S MANUAL	1				PL-CZ-SK-SLO
	91371891P	OWNER'S MANUAL	1				H-RO-BG-RUS
30	48211561A	COVER , FRAME LH	1				
31	48211571A	COVER , FRAME RH	1				
32	88440251A	CIRCLIP	2				
33	79911751A	SPRING	2				
34	84110371A	CUP, SPRING	2				
35	86611082A	CUSHION, BATTERY	1				
36	77211041A	SCREW TBEI M5X8	3				
37	70010601A	VIBRATION DAMPER	3				
38	85540011A	WASHER 7.4X12.5X0.8	3				
39	74850061A	NUT	3				
40	73210171A	ANTI-THEFT CABLE	1				
41	86610301A	PAD	2				



VST01065



POS.	CODE	DESCRIPTION	QTY	START DATE	END DATE	VALIDITY	NOTES
1	77210893B	SCREW TBEI M6X14	4				
2	77240463C	SCREW TBEIF M6X25	3				
3	56420791B	FRONT FENDER CARBON	1				
4	77510511B	SCREW TBEI M5X10	4				
5	83014941B	CLAMP, WIRE	1				
6	85610421A	WASHER, NYLON 6X12X0.5	4				
7	48120561AA	COWLING	1				ROSSO-RED-ROUGE-ROT-ROJO
	48120561CG	COWLING	1				RACE TITANIUM
8	43810871A	DECAL STREETFIGHTER S	2				for ROSSO-RED-ROUGE-ROT-ROJO
	43810881A	DECAL STREETFIGHTER S	2				for RACE TITANIUM
9	43814741A	EMBLEM DUCATI	1				
10	48022711AA	PUSH ROD R.H. RED	1				
	48022811CG	PUSH ROD R.H. RACE TITANIUM	1				
11	77240263C	SCREW	1				
12	77211021A	SCREW TBEIF M6X10	4				
13	82715311A	BRACKET,UNDER COVER,RH	1				
14	77916051A	SCREW, SPECIAL	3				
15	82715301A	BRACKET,UNDER COVER,LH	1				
16	48022701AA	PUSH ROD L.H. RED	1				
	48022801CG	PUSH ROD L.H. RACE TITANIUM	1				
17	77916181A	SCREW, SPECIAL M6X30	1				
18	85040471A	QUICK FASTENING M5	5				
19	77211091A	SCREW TBEI M5X12	4				
20	76410241A	VIBRATION DAMPER PAD	4				
21	71610031A	SPACER	4				
22	77240443C	SCREW	1				



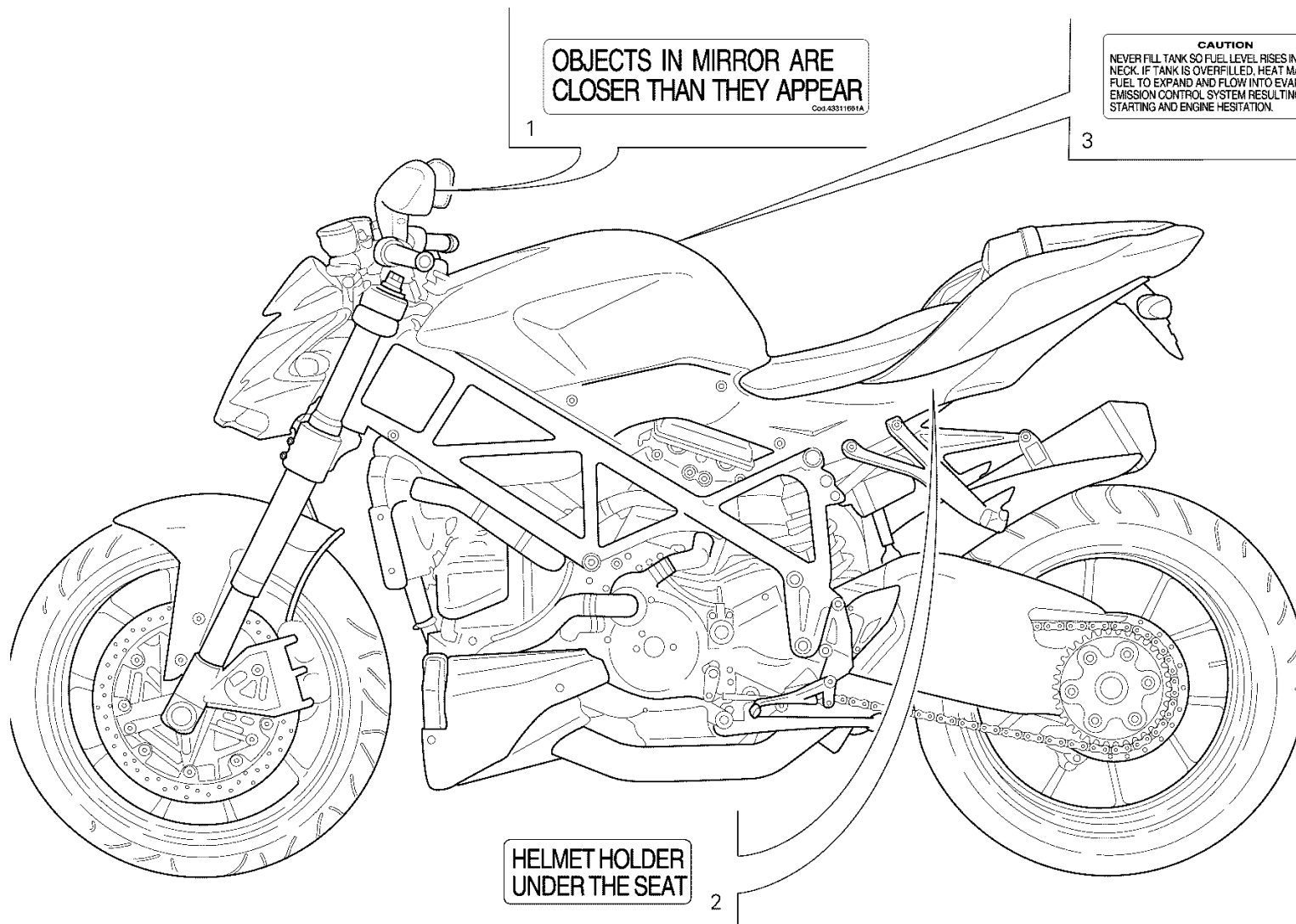
IMP00573

DRAWING 035 - CANISTER FILTER [MOD:F1098S;XST:TWN]

GROUP FRAME



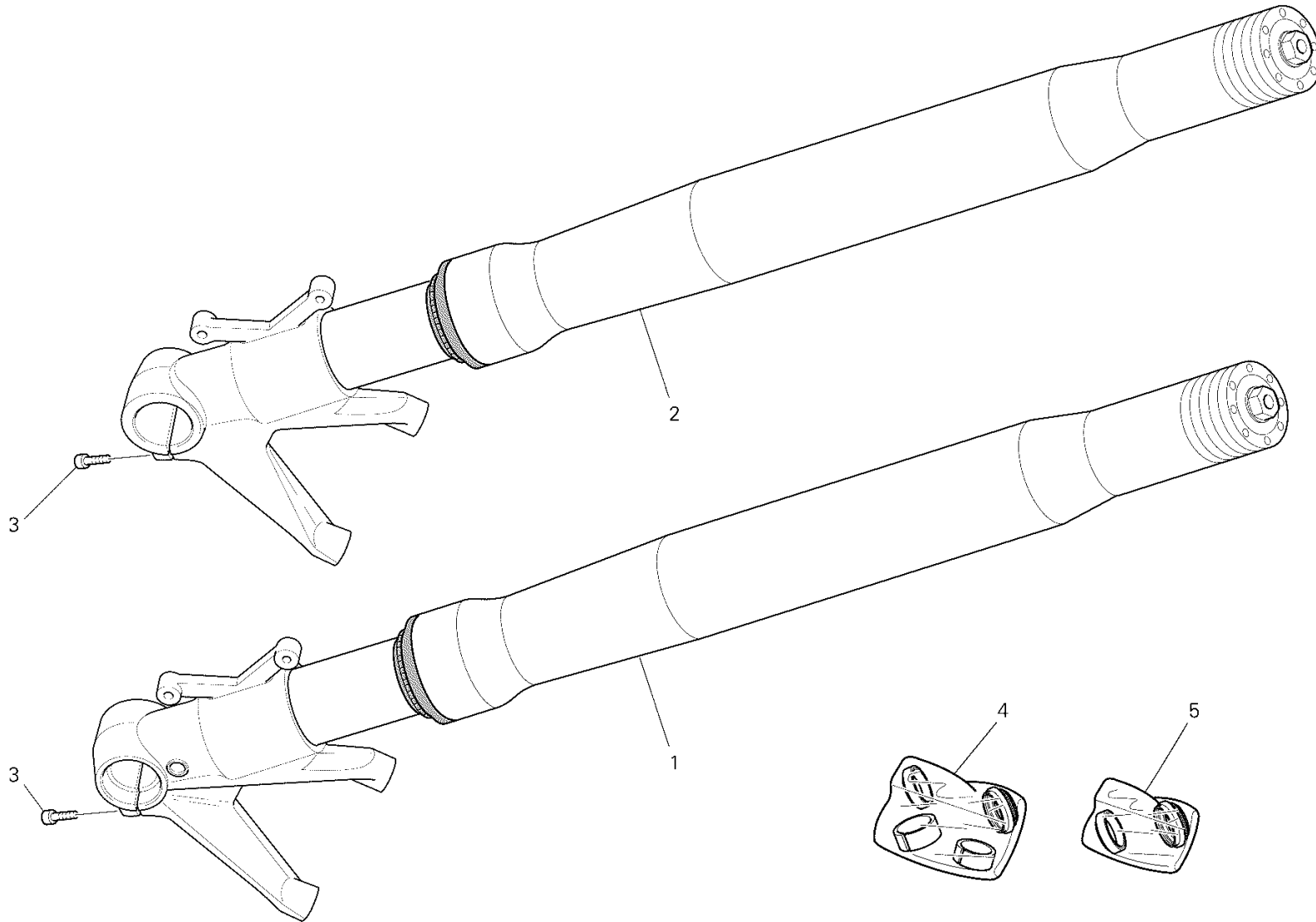
POS.	CODE	DESCRIPTION	QTY	START DATE	END DATE	VALIDITY	NOTES
1	42610071B	CANISTER FILTER	1				
2	59012451A	PIPE	1				
3	74140571A	CLAMP	1				
4	59013071B	HOSE 6X13X300	1				
5	74140631A	CLAMP	1				
6	59013501A	HOSE 4X10X175	1				
7	74140581A	CLAMP	4				
8	81411831A	THREE-WAYS UNION	1				
9	59013481A	HOSE 4X10X323	1				
10	59013491A	HOSE 4X10X280	1				
11	74140431A	CLAMP	4				
12	81411113B	NIPPLE, HOSE	2				
13	85250231A	GASKET	2				
14	77550211A	SCREW TBEI M6X16	2				
15	59013511A	HOSE 6X13X685	1				
16	83014651A	BRACKET CARBON CANISTER	1				
17	82711571A	PLATE	1				
18	76410291A	RUBBER PAD	2				
19	71610431C	SPACER	2				
20	77150648B	SCREW TCEI M6X14	2				
21	74910021A	NUT, CAP M6	2				



VST00833



POS.	CODE	DESCRIPTION	QTY	START DATE	END DATE	VALIDITY	NOTES
1	43311661A	LABEL WARNING MIRROR	2				
2	43311701A	LABEL, HELMET HOLDER	1				
3	43311641A	LABEL WARNING FUEL TANK	1				



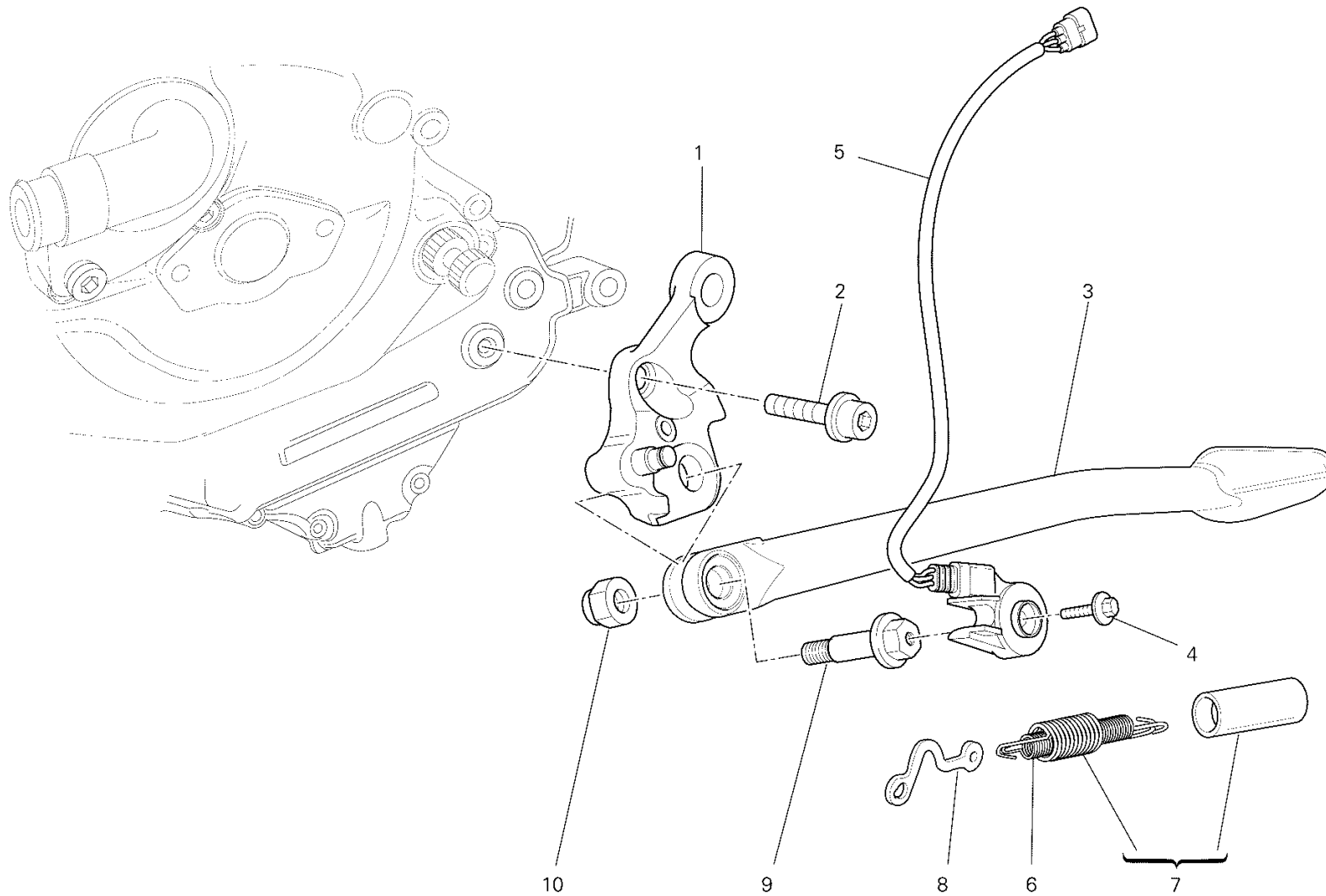
SOS00449

DRAWING 21A - FRONT FORK [MOD:F1098S;XST:AUS,EUR,FRA,JAP,TWN]

GROUP FRAME



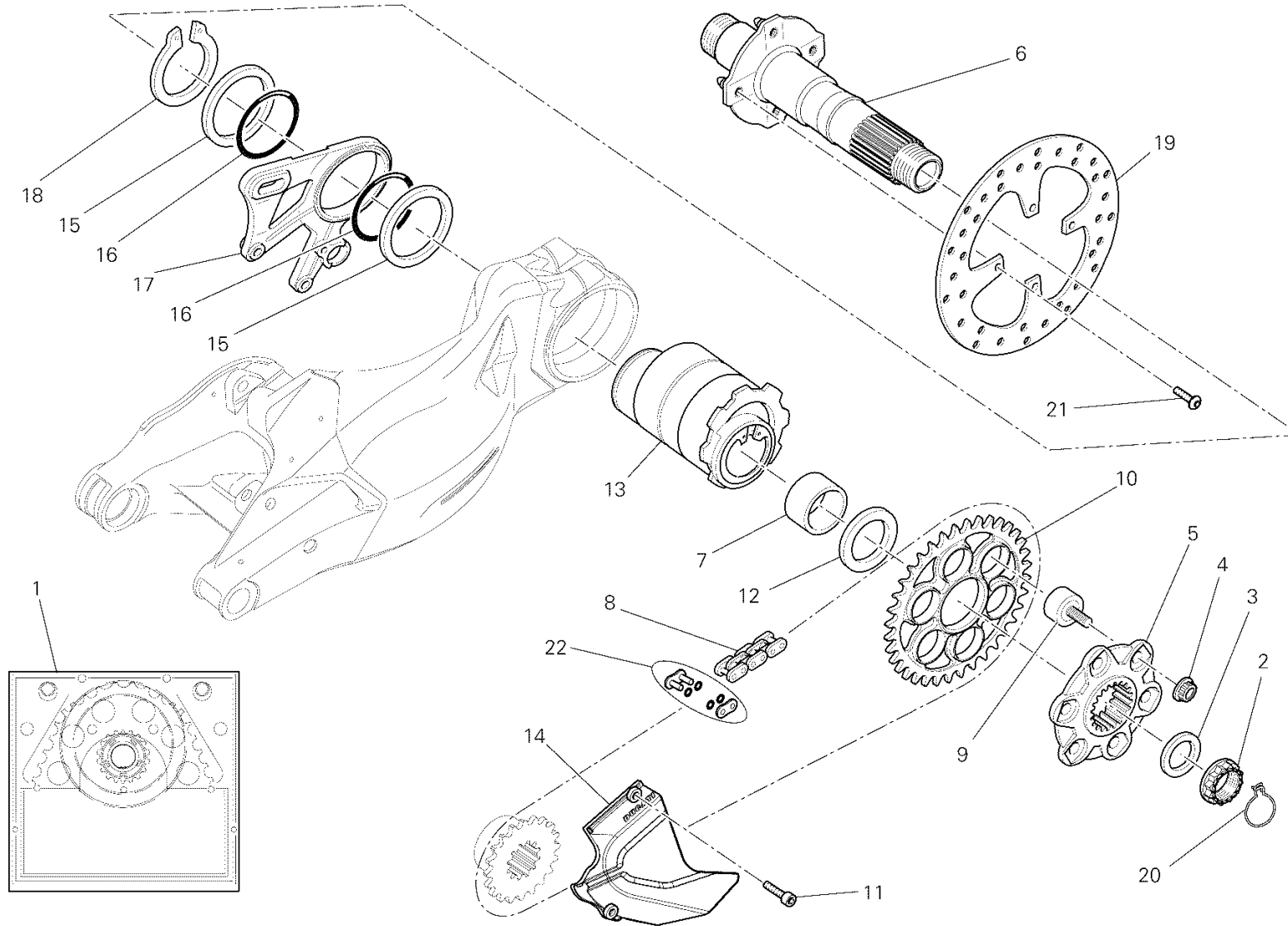
POS.	CODE	DESCRIPTION	QTY	START DATE	END DATE	VALIDITY	NOTES
1	34420172B	FORK LEG ASSY, LEFT	1				
2	34520172B	FORK LEG ASSY, RIGHT	1				
3	77157278B	SCREW TCEIF M8X30	4				
4	34920391A	FRONT FORK OVERHAUL SET	2				
5	34920401A	SEAL SET, FRONT FORK	2				



TEL00695



POS.	CODE	DESCRIPTION	QTY	START DATE	END DATE	VALIDITY	NOTES
1	55620631AA	PLATE	1				
2	77110431A	SCREW TCEIF M10X25	2				
3	55610621AB	SIDE STAND BLACK	1				
4	77940053A	SCREW	1				
5	53910234B	SWITCH, STAND	1				
6	79911581B	INNER SPRING	1				
7	79921591B	COMPLETE SPRING	1				
8	82912602A	PLATE	1				
9	82111032A	AXLE, SIDE STAND	1				
10	75010481A	NUT	1				



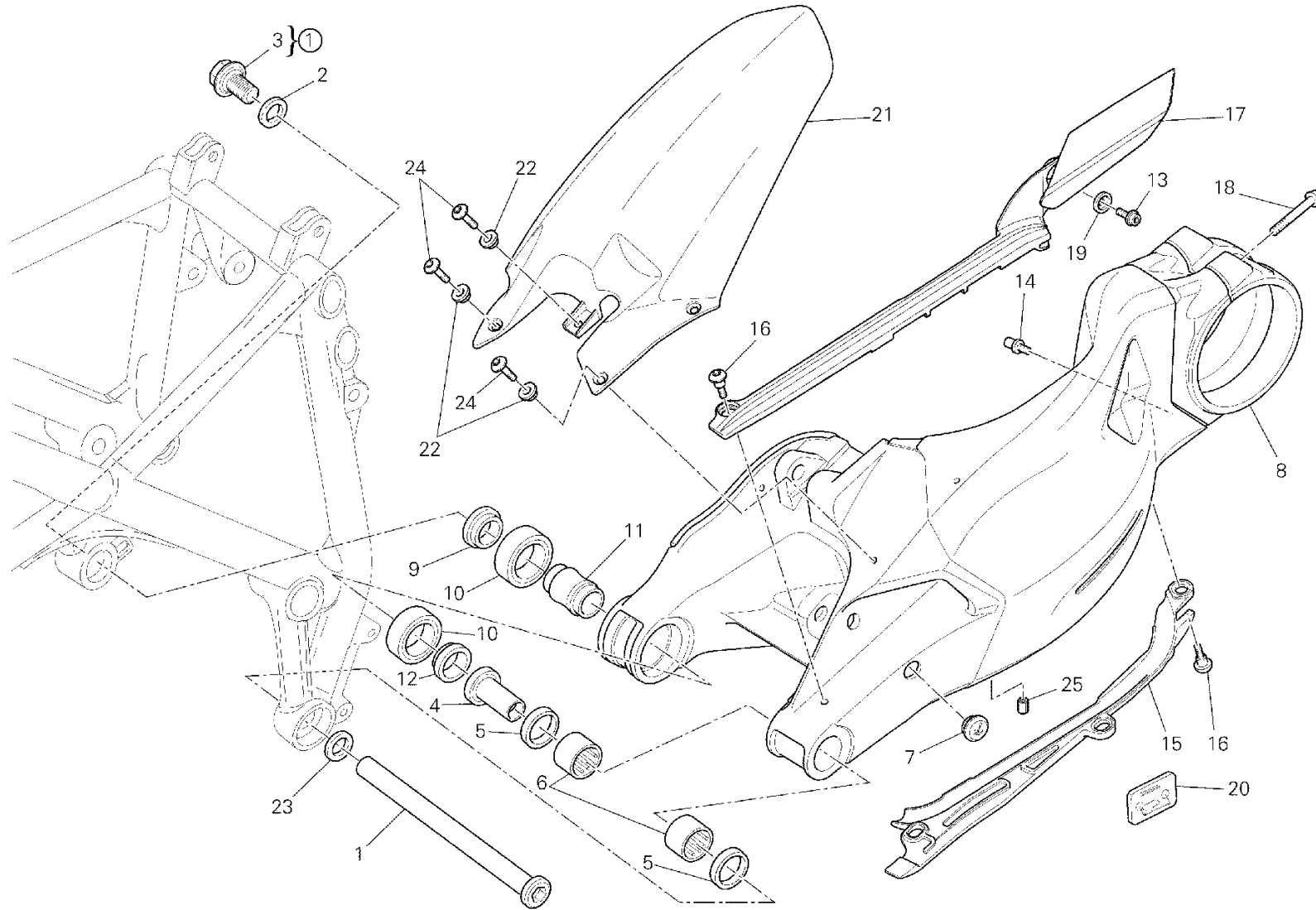
TEL00544

DRAWING 26A - REAR WHEEL SPINDLE [MOD:F1098S;XST:AUS,EUR,FRA,JAP,TWN]

GROUP FRAME



POS.	CODE	DESCRIPTION	QTY	START DATE	END DATE	VALIDITY	NOTES
1	67620741A	FINAL DRIVE KIT	1				
2	75011391A	NUT	1				
3	85212211A	WASHER 48.5X65X0.5	1				
4	74810461A	NUT, FLANGE M10X1	6				
5	16014201A	REAR SPROCKET FLANGE	1				
6	81920021A	REAR WHEEL SPINDLE	1				
7	88110541A	INNER SPACER	1				
8	67640741A	CHAIN	1				
9	70010571A	RUBBER CUSH DRIVE HUB	6				
10	49411331A	REAR SPROCKET T38	1				
11	77110391B	SCREW	2				
12	71410751A	SPACER	1				
13	75620131A	HUB	1				
14	46012551A	CHAIN PINION COVER	1				
15	85212171A	WASHER 85.5X101X1	2				
16	88641241A	O-RING 89.5X3	2				
17	82510362A	BRACKET, REAR CALIPER	1				
18	88440511A	CIRCLIP 85X3	1				
19	49210041A	REAR BRAKE DISC	1				
20	75910222A	CLIP	1				
21	77914881A	SCREW	4				
22	67740121A	CHAIN LINK	1				



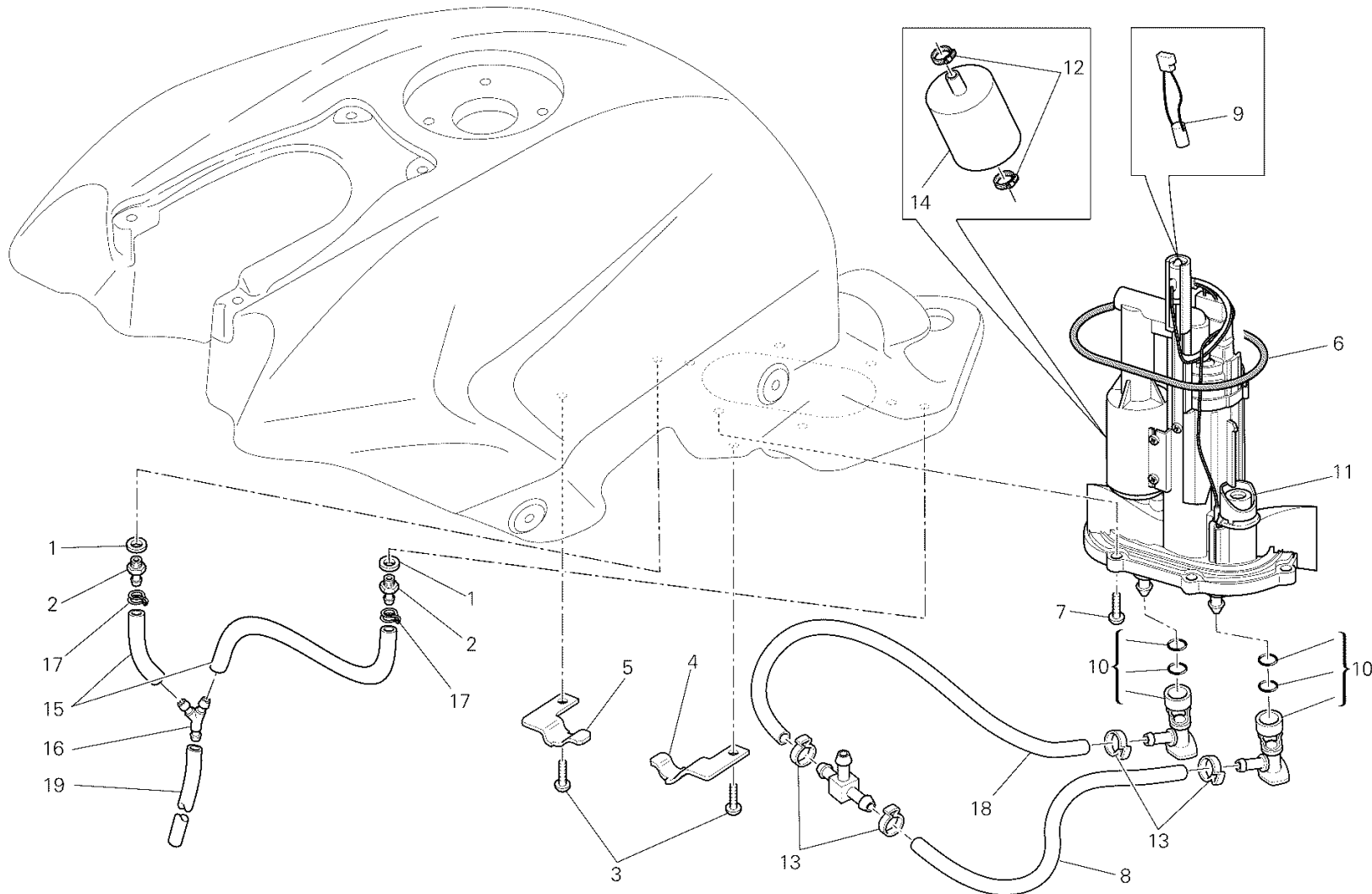
SOS00603

DRAWING 28A - SWING ARM [MOD:F1098S;XST:AUS,EUR,FRA,JAP,TWN]

GROUP FRAME



POS.	CODE	DESCRIPTION	QTY	START DATE	END DATE	VALIDITY	NOTES
1	36921233A	AXLE, REAR SWING ARM	1				
2	85212161A	WASHER	1				
3	77210782A	SCREW, SPECIAL	1				
4	71011091A	BUSH, LH	1				
5	93050121A	SEAL RING	2				
6	70140171A	BEARING, NEEDLE	2				
7	87210542A	CAP, SWINGARM COVER	1				
8	37021141BA	COMPLETE SWINGARM	1				
9	71210291A	RIGHT SPACER	1				
10	70250451A	BEARING	2				
11	71311871A	INNER SPACER	1				
12	71210301A	RIGHT SPACER	1				
13	77354878B	SCREW	1				
14	83210031C	PIN	1				
15	44710792A	LOWER CHAIN SLIDING SHOE	1				
16	77914401B	SCREW TBEI M6X15	4				
17	44710951A	UPPER CHAIN SLIDING SHOE	1				
18	77915031A	SCREW TCEI M12X1.25X40	2				
19	84110501A	RETAINER	1				
20	43313521A	STICKER, ADJUSTING CHAIN	1				
	43313521B	STICKER, ADJUSTING CHAIN	1				JAP
21	56510441B	REAR MUDGUARD	1				
22	71614011A	SPACER 6.2X8.5X14	4				
23	85211441A	WASHER 20.6X29X1.4	1				
24	77210882C	SCREW	4				
25	85041241A	INSERT	3				



VST00963



POS.	CODE	DESCRIPTION	QTY	START DATE	END DATE	VALIDITY	NOTES
1	88610131A	GASKET	2				
2	81411791A	JOINT, HOSE	2				
3	77510511A	SCREW TBEI M5X10	2				
4	83015551A	LEFT PLATE	1				
5	83015541A	RIGHT PLATE	1				
6	88650481A	O-RING 88.27X5.34	1				
7	77110441A	SCREW TCEIF M5X16	6				
8	59013601A	HOSE, FUEL	1				
9	55240482A	THERMISTOR	1				
10	81440101A	UNION, QUICK-COUPLING	2				
11	16023991A	FLANGE	1				
12	69923451A	CLAMPS KIT	1				
13	28740241B	CLAMP CLICK 16.8MM	4				
14	42540151A	FILTER, FUEL	1				
15	59013041A	HOSE, FUEL	1				
16	61610021A	THREE-WAYS UNION	1				
17	74140431A	CLAMP	2				
18	59013621A	PIPE	1				
19	59013051A	PIPE	1				



CODE	NO. TABLE	POS.	CODE	NO. TABLE	POS.	CODE	NO. TABLE	POS.	CODE	NO. TABLE	POS.
025147054	003	1	15021051A	003	2	21110701B	014	5	30310631BB	014	7
027291090	002	8	15021061A	003	27	21110701B	015	5	30310631BB	015	7
037049250	010	22	15820203A	006	5	22522861B	010	1	30310631BC	014	7
037072020	023	8	16010941A	013	10	24220882BC	011	13	30310631BC	015	7
037072020	024	12	16013674A	019	37	24321151BE	005	21	30310631BD	014	7
040009050	002	21	16014201A	26A	5	24321251B	005	1	30310631BD	015	7
040029125	002	31	16023991A	32A	11	24511081A	008	2	30410631AB	014	10
040029126	002	31	160Z0011A	012	13	24511091A	008	1	30410631AB	015	10
066013143	002	9	16210011C	004	7	24521071A	008	29	30410631AC	014	10
066013165	002	25	170Z0041A	004	17	24712871B	013	5	30410631AC	015	10
066016145	004	21	171Z0031A	008	13	24712881B	013	6	30410641BB	014	13
066549680	005	22	17210021B	003	10	24712901AB	009	19	30410641BB	015	13
067016145	003	7	17210033C	003	8	24713051AF	011	23	30410641BC	014	13
067016150	003	3	17210043C	003	5	24713331A	27A	13	30410641BC	015	13
067016155	003	19	17210053C	003	9	24713331A	27B	13	30410861A	014	13
067016170	003	26	17210081C	003	22	24713351A	020	26	30410861A	015	13
067049310	009	17	17210092C	003	21	24713451A	27A	20	30410871A	014	10
069191030	18A	17	17210103C	003	20	24713451A	27B	20	30410871A	015	10
075949280	009	15	17210113C	003	23	24721301AC	011	31	34120712AA	021	23
076592205	002	21	17212182A	003	18	24723424AA	033	10	34220571A	021	3
079913110	002	27	17212192A	003	24	24723424CG	033	10	34420172B	21A	1
11210121AB	006	8	173Z0021A	012	14	25120081A	011	29	34520172B	21A	2
11210121AC	006	8	174Z0021A	009	1	25440012A	005	4	34920391A	21A	4
11710882A	022	8	176Z0021A	012	10	25510104B	008	18	34920401A	21A	5
11720611A	025	18	18010081A	002	24	25510193A	013	7	36011002A	021	31
11721122A	004	22	180Z0031A	002	11	26440611A	011	1	36011022A	021	24
120Z0031B	007	5	180Z0041A	002	12	27040104A	012	1	36011362AA	021	16
120Z0041B	007	10	182Z0042A	002	18	276Z0011A	012	16	36420091A	021	29
12110781B	007	3	18410102A	025	20	28040161A	017	13	36520752A	028	10
12110791A	007	2	18710021A	023	3	28040161A	017	13	36921233A	28A	1
12120512A	007	4	18710021A	024	22	28240793B	017	11	37021141BA	28A	8
12221672A	007	1	19020203A	004	8	28240793B	017	11	37220622A	028	8
13510232A	017	7	19420431A	004	12	28340241A	017	15	38010145B	18A	11
13510232A	017	7	19540031C	004	29	28340241A	017	15	38940191A	18A	5
14010481B	017	1	19610011D	004	10	28611172E	18A	4	38940201A	18A	5
14010481B	017	1	198Z0011A	004	13	28620401B	18A	6	38940211A	18A	5
14621431B	006	1	20810321A	014	3	28620441A	01C	6	38940221A	18A	5
14710142A	008	3	20810321A	015	3	28642291A	018	13	38940241A	18A	5
14823061C	013	15	20910491A	014	16	28642291C	018	13	38940251A	018	19
14823071C	013	11	20910491A	015	16	28642291E	018	13	39040162A	27A	14
14823081C	013	14	20910501A	014	4	28642291F	018	13	39040162A	27B	14
14823091C	013	18	20910501A	015	4	28740241B	32A	13	39040211A	020	10
14910611A	003	25	21010721A	014	14	30122386BB	015	22	39040211A	27A	4
15020923A	003	28	21010721A	015	14	30122396BB	014	22	39040211A	27B	4



CODE	NO. TABLE	POS.	CODE	NO. TABLE	POS.	CODE	NO. TABLE	POS.	CODE	NO. TABLE	POS.
39040261A	020	20	46012862B	019	2	49411331A	26A	10	55240482A	32A	9
39040271A	020	21	46012931A	019	26	49720012A	026	3	55241321B	010	2
39040291A	020	22	46013311A	022	11	49720031A	026	16	55340041A	031	19
39110033A	27A	26	46013661AB	030	5	50121151AB	026	10	55610621AB	22A	3
39110033A	27B	26	46013671AB	030	11	50221251AB	026	7	55620631AA	22A	1
39520132C	018	23	46013921A	27B	30	51015701A	18A	20	56110261A	27A	8
39740071A	018	18	46014051A	019	45	51016941C	18A	1	56110261A	27B	8
40610972B	020	27	46023591A	019	36	51017761A	18A	2	56420791B	034	3
41760113A	014	20	46240461A	019	39	51410621A	018	15	56510441B	28A	21
42020008A	025	36	46320222A	010	12	51410631A	018	22	57012591B	019	11
42020064A	016	5	46320537A	003	14	51640042B	18A	18	57012741C	019	24
42540151A	32A	14	46320537A	004	15	51840051B	021	37	57112602A	019	14
42610071B	035	1	46410551A	022	12	52010182A	020	12	57311121B	019	28
42610201A	029	24	46410551A	027	6	52340222A	021	8	57311171D	019	28
43311641A	036	3	46410561A	022	5	52340232A	021	9	58510641A	031	1
43311661A	036	1	46410561A	027	13	52510372A	27A	22	58540011A	025	26
43311701A	036	2	47012132AA	022	1	52510372A	27B	22	58540101A	023	12
43313521A	28A	20	47017051AA	027	1	52910061B	27A	9	58540111A	024	15
43313521B	28A	20	48012691A	032	5	52910061B	27B	9	58611721AA	032	1
43810811A	033	19	48015361A	032	17	53010224A	020	9	58611721CG	032	1
43810871A	034	8	48015441A	032	7	53010224A	27A	3	58611861AA	032	1
43810881A	034	8	48022701AA	034	16	53010224A	27B	3	58611861CG	032	1
43813651AA	032	14	48022711AA	034	10	53010234A	020	24	58710512A	032	2
43813651AA	032	14	48022801CG	034	16	53010234A	27A	21	58710512A	032	2
43813651AK	032	14	48022811CG	034	10	53010234A	27B	21	58710522A	032	3
43813651AK	032	14	48120561AA	034	7	53910211B	002	6	58710522A	032	3
43814741A	034	9	48120561CG	034	7	53910234B	22A	5	59012451A	035	2
43816101A	033	19	48211561A	033	30	53940031B	025	5	59013041A	32A	15
44211393B	029	7	48211571A	033	31	53940302A	005	9	59013051A	32A	19
44211841A	029	15	48310761A	033	17	53940351A	024	5	59013071B	035	4
44440035A	009	20	48310813A	033	9	53940361A	023	21	59013481A	035	9
44710792A	28A	15	48320751AA	033	12	54040191A	018	3	59013491A	035	10
44710951A	28A	17	48320751CG	033	12	54140101A	18A	3	59013501A	035	6
44910531A	003	12	48330821B	033	7	54710011A	016	6	59013511A	035	15
45110171A	008	22	48410771B	029	5	54840831A	030	1	59013601A	32A	8
45110182A	008	9	48410781B	029	23	54840841A	030	2	59013621A	32A	18
45110461A	008	4	48420751B	029	3	54910901A	016	3	59020254A	017	20
45120241A	008	16	48420761B	029	21	54910911A	016	4	59020254A	017	20
45520181A	002	4	48610811A	032	15	55040201A	030	4	59320421A	010	11
45610461B	022	20	48610811A	032	15	55211111A	019	12	59340392A	018	10
45612031A	022	19	48610821A	005	23	55240121A	020	29	59511002A	033	1
45710471A	025	6	49210041A	26A	19	55240131A	031	9	59521012A	033	16
46012551A	26A	14	49240891A	026	12	55240372E	024	35	59810131A	033	20
46012751A	019	38	49241021A	026	5	55240373E	025	34	59820611A	033	22



CODE	NO. TABLE	POS.	CODE	NO. TABLE	POS.	CODE	NO. TABLE	POS.	CODE	NO. TABLE	POS.
59821001A	032	16	67620741A	26A	1	71011091A	28A	4	71413231AA	026	15
59821001A	032	16	67640741A	26A	8	71011271A	004	23	71510031A	028	5
59840291A	021	18	67740121A	26A	22	71011321A	028	11	71610031A	016	10
59840341A	021	39	68010131A	006	10	71011411A	010	28	71610031A	034	21
61040901C	024	9	68010131A	008	12	71011421A	10A	21	71610431C	035	19
61040911C	024	26	68050061A	013	12	71110891A	006	6	71610722A	008	20
61140291A	025	29	68410731A	030	17	71110951A	10A	7	71611281A	008	17
61240051A	023	4	69610121A	027	15	71111601A	005	13	71611431A	029	18
61240051A	024	21	69720252A	033	15	71111601A	011	14	71611441A	018	5
61240081A	025	31	69923451A	32A	12	71112191A	007	12	71611441A	019	22
61240161A	025	14	69926331A	032	5	71210291A	28A	9	71611541A	27A	2
61240371A	024	30	70010361A	012	12	71210301A	28A	12	71611541A	27B	2
61340381A	025	30	70010481B	020	13	71210341A	022	17	71611551A	27A	29
61340901A	024	8	70010541A	021	10	71210341A	025	10	71611551A	27B	29
61610021A	32A	16	70010571A	26A	9	71310141E	003	11	71614011A	018	25
61840751B	024	20	70010601A	033	37	71311281B	011	27	71614011A	28A	22
61841161A	024	19	70010631A	021	27	71311401A	10A	4	71614071A	029	25
61940422B	025	28	70140041A	028	7	71311871A	28A	11	71614121A	016	14
62440572A	024	1	70140051A	003	4	71311921A	024	34	71614121A	019	43
62540181B	025	16	70140171A	28A	6	71311921A	025	33	71614121A	021	43
62640561A	023	18	70140351A	012	11	71311961A	026	17	71614141A	019	18
62640561A	024	7	70240091A	011	11	71311973A	026	2	71614181A	27A	24
62640661A	023	19	70240102A	011	9	71312101A	021	41	71614181A	27B	24
62640671A	024	24	70240131A	010	19	71312391A	028	2	71614191A	030	8
63040483A	023	1	70240171A	004	20	71312661A	003	15	71614221A	019	7
63140081A	023	22	70240181A	012	15	71312921A	014	9	71614281A	018	28
63140081A	024	6	70240201A	10A	11	71312921A	015	9	720941616	010	17
63140161A	025	25	70240331A	010	21	71313301A	032	11	720941616	10A	5
63140281A	023	20	70240331A	10A	2	71313301A	032	11	73210171A	033	40
63140281A	024	31	70240581A	008	10	71313641A	024	32	73220281A	019	20
63140331A	024	2	70241231A	021	6	71313931A	003	13	735001542	002	15
63140341A	023	2	70250081A	010	6	71313933A	004	5	735002054	008	27
63240541A	023	6	70250081A	011	4	71314091A	008	24	735033380	010	9
65010092I	021	25	70250191A	10A	1	71314361A	019	34	735033380	011	17
65110112C	021	14	70250441A	003	29	71314431A	27B	32	735033380	10A	10
65240211A	021	30	70250451A	026	8	71314702A	27A	5	735033804	008	26
65420161A	021	20	70250451A	28A	10	71314702A	27B	5	73740251A	008	5
65620971A	021	26	70250511A	004	18	71319151A	002	29	74110121A	18A	23
66810014A	007	14	70250531A	004	14	71319191A	012	9	74110401A	18A	7
66810014A	011	16	70310131A	021	12	71319241A	27A	31	74110471A	019	30
66840011A	031	21	70350022A	013	2	71319241A	27B	34	74110482A	019	44
66910011E	014	6	70350062A	008	21	71319261A	004	27	74140011A	031	7
66910011E	015	6	706108120	004	11	71410471A	026	9	74140041A	031	30
67040381A	18A	12	71010611A	006	7	71410751A	26A	12	74140381A	025	7



CODE	NO. TABLE	POS.	CODE	NO. TABLE	POS.	CODE	NO. TABLE	POS.	CODE	NO. TABLE	POS.
74140381A	18A	15	74941118B	033	24	76410541A	033	25	77150648B	035	20
74140431A	023	14	74941128B	019	31	76410641A	019	19	77150652BB	004	28
74140431A	024	16	74941128B	027	3	76410641A	020	1	77150658B	017	2
74140431A	025	17	74950011B	27A	12	76410871A	014	8	77150658B	017	2
74140431A	035	11	74950011B	27B	12	76410871A	015	8	77150663B	011	20
74140431A	32A	17	75010071A	003	32	76410901A	029	17	77150663B	18A	9
74140571A	035	3	75010121D	006	14	76410901A	27A	18	77150670ZF	002	28
74140581A	035	7	75010211A	028	12	76410901A	27B	18	77150673B	011	3
74140631A	029	12	75010221A	028	15	76410971A	020	30	77150693B	005	5
74140631A	035	5	75010451A	004	25	76411051A	019	42	77150693B	011	19
74141301A	031	25	75010481A	22A	10	76411301B	018	9	77150713B	011	36
74141561A	031	23	75010571A	006	13	76610553B	010	16	77150723B	10A	14
74141651A	029	22	75011211A	012	3	76640191A	014	21	77150783B	005	3
74141861A	029	20	75011391A	026	13	76640191A	015	21	77150793B	005	11
74141891A	017	21	75011391A	26A	2	768351134	002	10	77150808B	10A	15
74141891A	017	21	75011551A	033	14	77052508B	011	6	77151250ZF	002	30
74141901A	030	14	75011601A	008	15	77110191A	022	30	77151298B	009	8
74141901A	031	5	75050011B	018	2	77110311A	028	1	77151363B	10A	22
74141921A	007	7	75050011B	020	14	77110391A	020	5	77151398B	010	10
74141921A	031	24	751913380	010	4	77110391A	021	28	77151398B	10A	17
74141931A	020	33	75620131A	26A	13	77110391A	27B	7	77156378B	020	7
74141981A	031	6	757941542	10A	9	77110391B	26A	11	77156398B	018	4
74750011AB	022	29	75810321A	020	11	77110431A	025	2	77156398B	27A	30
74750031A	021	1	75810361A	029	8	77110431A	22A	2	77156398B	27B	33
74750031A	025	15	75810392A	017	18	77110441A	32A	7	77156408B	019	21
74750101A	022	23	75810392A	017	22	77110461A	021	44	77156408B	032	9
74810241A	019	3	75840171A	017	16	77110471A	011	15	77156408B	032	9
74810351B	019	25	75840171A	017	3	77110491A	012	5	77156458B	018	8
74810361A	019	1	75840601A	024	38	77110518B	009	10	77156618B	019	27
74810401A	002	23	75910222A	026	19	77110518B	18A	21	77156628B	018	21
74810461A	26A	4	75910222A	26A	20	77110521A	012	6	77156638B	019	47
74810501A	010	14	764020002	003	17	77112261A	029	19	77156658B	024	36
74810651A	026	1	76410011A	019	33	77112331A	017	6	77156658B	025	35
74840021A	022	2	76410011A	032	10	77112331A	017	6	77156678B	022	14
74840241AB	021	11	76410011A	032	10	77113691A	018	12	77156688B	016	9
74840371AB	028	3	76410032B	004	6	77113691A	027	5	77156728B	018	14
74850061A	033	39	76410112A	022	18	77113731A	021	19	77157213B	027	12
74910021A	035	21	76410112A	025	12	77113741A	021	17	77157238B	025	32
74940021A	021	32	76410241A	016	11	77113781A	005	8	77157258B	019	29
74940041A	022	21	76410241A	030	6	77113791A	005	2	77157258B	021	7
74940081A	008	7	76410241A	034	20	77113801A	008	6	77157278B	021	13
74941108B	023	13	76410291A	035	18	77150438B	004	4	77157278B	21A	3
74941108B	024	18	76410501A	022	26	77150648B	011	5	77157288B	032	13
74941118B	019	15	76410511A	022	25	77150648B	030	12	77157288B	032	13



CODE	NO. TABLE	POS.	CODE	NO. TABLE	POS.	CODE	NO. TABLE	POS.	CODE	NO. TABLE	POS.
77159388B	028	9	77240483C	030	22	77910921A	023	7	78610941A	007	13
77159408B	021	34	77250341C	008	25	77910921A	024	13	78710111A	016	1
77210422A	029	6	77250381AB	019	17	77911092A	006	2	78810542A	012	4
77210461B	018	16	77251018B	27A	15	77911622A	009	13	78810831A	019	32
77210471B	030	15	77251018B	27B	15	77911871A	008	23	78810931A	013	9
77210501C	032	4	77253330ZF	011	2	77912021C	030	3	78810941A	013	8
77210501C	032	4	77310021A	021	46	77912033A	002	7	78810962A	017	9
77210501C	18A	19	77310051A	017	19	77912371B	025	8	78810962A	017	9
77210591A	030	16	77310051A	017	19	77912981A	021	2	78810972A	017	10
77210591A	031	3	77310051A	029	9	77913311D	024	25	78810972A	017	10
77210601A	009	16	77350393B	27A	19	77913661AB	023	16	78810981A	029	4
77210611A	020	6	77350393B	27B	19	77913661AB	025	22	78811063A	005	14
77210611A	030	21	77350618B	017	4	77913971A	023	5	79010151A	019	4
77210623B	031	15	77350618B	10A	13	77913971A	024	23	79110671A	029	16
77210631A	025	19	77350623B	023	10	77913991A	026	4	79120441A	007	6
77210772AB	022	7	77350623B	024	10	77914043B	006	9	79910241A	027	10
77210782A	28A	3	77350628B	025	24	77914151A	024	3	79910491A	002	1
77210842A	033	5	77354878B	28A	13	77914211A	014	23	79911581B	22A	6
77210852A	017	8	77355068B	019	35	77914211A	015	23	79911661B	022	3
77210852A	017	8	77440041A	020	19	77914401B	28A	16	79911751A	033	33
77210853B	032	18	77440061A	27A	28	77914651A	024	28	79912531A	004	1
77210853B	033	6	77440061A	27B	28	77914842B	022	24	79912561A	025	4
77210861B	029	26	77510171C	017	12	77914881A	26A	21	79912632A	019	13
77210873AB	027	2	77510171C	017	12	77914982A	033	21	79914821A	002	20
77210882C	28A	24	77510311B	010	25	77914992A	033	27	79914851A	014	19
77210893B	016	8	77510311B	10A	20	77915011A	005	24	79914851A	015	19
77210893B	019	8	77510331A	020	17	77915031A	28A	18	79914861A	014	18
77210893B	034	1	77510451A	27A	23	77915041A	028	4	79914861A	015	18
77211011B	27A	1	77510451A	27B	23	77915093A	013	3	79920772A	009	14
77211011B	27B	1	77510511A	32A	3	77915301A	017	5	79921591B	22A	7
77211021A	034	12	77510511B	022	6	77915471A	006	4	79940091A	019	23
77211041A	033	36	77510511B	032	7	77915911A	021	38	80005372A	18A	16
77211091A	029	1	77510511B	034	4	77916051A	034	14	80011691A	031	18
77211091A	033	26	77510541A	024	29	77916181A	034	17	80011702A	030	13
77211091A	034	19	77510541A	030	7	77940053A	22A	4	80011713A	031	13
77211091C	033	13	77550013C	020	25	77950302A	013	16	80011722A	031	16
77211101A	017	14	77550131A	27A	7	77950621A	10A	12	80011731A	031	17
77211101A	017	24	77550211A	010	29	78010512A	014	12	80011743A	007	8
77240253C	019	40	77550211A	035	14	78010512A	015	12	80011752A	007	9
77240263C	034	11	77550251B	032	19	78010721A	10A	6	80011761A	031	26
77240333C	27B	31	77750493C	011	24	78020011A	019	9	80011772A	031	22
77240443C	034	22	77840041A	009	2	78050012A	005	15	80811181A	021	42
77240463C	030	9	77910262A	011	10	78050012A	011	33	81411113B	035	12
77240463C	034	2	77910391A	002	3	78610922A	007	11	81411791A	32A	2



CODE	NO. TABLE	POS.	CODE	NO. TABLE	POS.	CODE	NO. TABLE	POS.	CODE	NO. TABLE	POS.
81411831A	035	8	82716481AA	032	20	84010051A	014	1	84010271A	015	1
81411881A	015	25	82912602A	22A	8	84010051A	015	1	84010281A	014	1
81412361C	031	11	82919741A	020	16	84010061A	014	1	84010281A	015	1
81413111A	029	13	82919781A	023	9	84010061A	015	1	84010291A	014	1
81413261A	031	14	82919791A	024	11	84010071A	014	1	84010291A	015	1
81413271A	031	27	82919801A	27A	16	84010071A	015	1	84010301A	014	1
81440101A	32A	10	82919801A	27B	16	84010081A	014	1	84010301A	015	1
81510221A	016	2	82919811A	27A	6	84010081A	015	1	84010311A	014	1
81510281A	009	12	82919811A	27B	6	84010091A	014	1	84010311A	015	1
81820091A	004	3	82919821A	020	15	84010091A	015	1	84010321A	014	1
81910601A	026	11	82919831A	020	23	84010101A	014	1	84010321A	015	1
81920021A	26A	6	82919841A	025	1	84010101A	015	1	84010331A	014	1
82110011A	002	26	82919853A	018	6	84010111A	014	1	84010331A	015	1
82110511AB	022	4	8291A682AA	018	7	84010111A	015	1	84010341A	014	1
82110511AB	027	7	82927661A	030	10	84010121A	014	1	84010341A	015	1
82111032A	22A	9	83012351A	011	35	84010121A	015	1	84010412B	014	2
82111701B	022	13	83014111A	020	28	84010131A	014	1	84010412B	015	2
82111701B	025	9	83014161A	020	2	84010131A	015	1	84010422B	014	2
82112221B	014	17	83014411A	031	4	84010141A	014	1	84010422B	015	2
82112221B	015	17	83014651A	035	16	84010141A	015	1	84010432B	014	2
82112231B	014	15	83014771A	024	37	84010151A	014	1	84010432B	015	2
82112231B	015	15	83014791A	024	27	84010151A	015	1	84010442B	014	2
82112681A	002	13	83014941B	008	28	84010161A	014	1	84010442B	015	2
82112731A	025	13	83014941B	034	5	84010161A	015	1	84010452B	014	2
82113471A	012	8	83015271A	021	33	84010171A	014	1	84010452B	015	2
82411541A	022	28	83015301A	016	7	84010171A	015	1	84010462B	014	2
82411551A	022	9	83015431A	027	4	84010181A	014	1	84010462B	015	2
82411561A	027	8	83015483A	27A	27	84010181A	015	1	84010472B	014	2
82411571A	027	9	83015483A	27B	27	84010191A	014	1	84010472B	015	2
82510362A	26A	17	83015491A	018	17	84010191A	015	1	84010482B	014	2
82610293A	002	16	83015501A	018	26	84010201A	014	1	84010482B	015	2
82711571A	035	17	83015541A	32A	5	84010201A	015	1	84010492B	014	2
82712981B	27A	10	83015551A	32A	4	84010211A	014	1	84010492B	015	2
82712981B	27B	10	83015561A	018	27	84010211A	015	1	84010502B	014	2
82714331A	005	25	83015641A	033	23	84010221A	014	1	84010502B	015	2
82714482A	017	25	83210031C	28A	14	84010221A	015	1	84010512B	014	2
82714821A	033	18	84010011A	014	1	84010231A	014	1	84010512B	015	2
82714931A	020	8	84010011A	015	1	84010231A	015	1	84010522B	014	2
82715301A	034	15	84010021A	014	1	84010241A	014	1	84010522B	015	2
82715311A	034	13	84010021A	015	1	84010241A	015	1	84010532B	014	2
82715381A	020	31	84010031A	014	1	84010251A	014	1	84010532B	015	2
82715431A	017	18	84010031A	015	1	84010251A	015	1	84010542B	014	2
82715431A	017	4	84010041A	014	1	84010261A	015	1	84010542B	015	2
82715441A	020	3	84010041A	015	1	84010271A	014	1	84010552B	014	2



CODE	NO. TABLE	POS.	CODE	NO. TABLE	POS.	CODE	NO. TABLE	POS.	CODE	NO. TABLE	POS.
84010552B	015	2	84010772B	015	2	85040671A	18A	14	85211951A	009	7
84010562B	014	2	84010782B	014	2	85041241A	28A	25	85212161A	28A	2
84010562B	015	2	84010782B	015	2	85041581A	019	5	85212171A	26A	15
84010572B	014	2	84010792B	014	2	85110011B	004	9	85212211A	026	14
84010572B	015	2	84010792B	015	2	85110041A	003	31	85212211A	26A	3
84010582B	014	2	84010802B	014	2	85110101A	006	12	85212221A	026	6
84010582B	015	2	84010802B	015	2	85110131A	008	14	85212321A	027	16
84010592B	014	2	84010812B	014	2	85140061A	021	22	85212501A	023	23
84010592B	015	2	84010812B	015	2	85210051A	002	14	85212501A	024	33
84010602B	014	2	84010822B	014	2	85210491B	021	35	85212641A	005	26
84010602B	015	2	84010822B	015	2	85210532A	002	2	85212641A	18A	10
84010612B	014	2	84010832B	014	2	85210721A	019	6	85212691A	006	3
84010612B	015	2	84010832B	015	2	85210941A	002	19	85240131A	017	16
84010622B	014	2	84010842B	014	2	85210991A	032	12	85240131A	017	23
84010622B	015	2	84010842B	015	2	85210991A	032	12	85240211A	029	10
84010632B	014	2	84010852B	014	2	85211041H	006	11	85241731A	27A	25
84010632B	015	2	84010852B	015	2	85211042A	006	11	85241731A	27B	25
84010642B	014	2	84010862B	014	2	85211042B	006	11	85250011C	27A	11
84010642B	015	2	84010862B	015	2	85211042C	006	11	85250011C	27B	11
84010652B	014	2	84010872B	014	2	85211042D	006	11	85250231A	011	30
84010652B	015	2	84010872B	015	2	85211042E	006	11	85250231A	015	20
84010662B	014	2	84110371A	033	34	85211042F	006	11	85250231A	017	3
84010662B	015	2	84110501A	28A	19	85211042G	006	11	85250231A	035	13
84010672B	014	2	84110511B	004	2	85211042I	006	11	85250231A	10A	16
84010672B	015	2	84740021A	027	11	85211042J	006	11	85250241A	002	5
84010682B	014	2	84820021A	021	4	85211042K	006	11	85250241A	005	16
84010682B	015	2	84840011A	021	15	85211042L	006	11	85250241A	011	32
84010692B	014	2	84840471A	028	13	85211042M	006	11	85250241A	019	10
84010692B	015	2	84840481A	028	16	85211042N	006	11	85250241A	023	17
84010702B	014	2	84850011A	022	16	85211141A	011	34	85250241A	024	4
84010702B	015	2	84850021A	022	22	85211351A	005	19	85250241A	025	23
84010712B	014	2	85040381A	019	46	85211441A	28A	23	85250261A	011	25
84010712B	015	2	85040381A	030	18	85211511A	022	15	85250261B	014	11
84010722B	014	2	85040381A	033	11	85211511A	025	3	85250261B	015	11
84010722B	015	2	85040431A	017	14	85211601B	018	11	85250271A	030	20
84010732B	014	2	85040431A	017	5	85211721A	009	11	85250401A	021	36
84010732B	015	2	85040471A	020	18	85211721A	011	7	85250421A	010	5
84010742B	014	2	85040471A	033	4	85211741A	008	8	85310031A	010	30
84010742B	015	2	85040471A	034	18	85211741A	009	9	85310031A	012	2
84010752B	014	2	85040471A	27A	17	85211761A	016	13	85350091A	18A	13
84010752B	015	2	85040471A	27B	17	85211761A	020	4	85350101A	018	20
84010762B	014	2	85040551A	018	1	85211761A	031	29	85540011A	033	38
84010762B	015	2	85040551A	032	21	85211861A	019	16	85550001B	020	32
84010772B	014	2	85040551A	033	28	85211951A	005	10	85550001B	18A	22



CODE	NO. TABLE	POS.	CODE	NO. TABLE	POS.	CODE	NO. TABLE	POS.	CODE	NO. TABLE	POS.
85610011A	003	6	88440511A	26A	18	887131805	01A	3	887651518	01A	5
85610311A	003	16	88450031A	022	10	887131806	01A	6	887651623	01A	14
85610421A	034	6	88450031A	027	14	887131821	01A	9	887651657	001	4
85610622A	008	19	88450111A	011	8	887131832	001	9	89310143A	031	2
85610642A	010	15	88450131A	005	18	887131886	001	20	89320062A	010	7
85610743A	013	4	88450341B	002	22	887131920	01A	8	89320131A	005	7
85610751A	012	17	88610131A	32A	1	887131980	01A	16	89340051A	025	27
85611481A	010	18	88610241A	010	27	887131994	01A	17	89340071A	024	14
86010041A	011	21	88610951A	011	22	887132011	01A	7	89340081A	023	11
86010051B	010	26	88640331A	009	4	887132069	01A	18	89410201A	009	3
86050061A	014	24	88640331A	010	23	887132090	01A	12	89520201A	032	8
86050061A	015	24	88640341A	009	18	887132092	001	6	89520201A	032	8
86610301A	033	41	88640371A	009	6	887132102	01A	4	8A0067610	031	12
86610981A	018	24	88640891A	017	17	887132103	001	7	91371891F	033	29
86611041A	033	2	88640891A	017	17	887132133	001	12	91371891G	033	29
86611071A	033	8	88641031A	031	10	887132409	01B	15	91371891H	033	29
86611082A	033	35	88641161A	022	27	887132442	001	2	91371891L	033	29
86611161A	021	45	88641161A	025	11	887132562	01B	13	91371891M	033	29
86611181A	033	3	88641181A	004	26	887132669	001	17	91371891N	033	29
86640061A	032	6	88641181A	010	13	887132676	001	1	91371891P	033	29
86640061A	032	6	88641241A	26A	16	887132834	01A	19	93010041B	021	5
87210532A	18A	8	88641321A	005	12	887132854	01B	8	93040022A	003	30
87210542A	28A	7	88641321A	009	5	887132855	01B	3	93040111A	028	6
87210581A	021	21	88641321A	010	8	887132856	01B	17	93040211A	005	20
87240601A	031	20	88641731A	004	24	887132857	01B	12	93040221A	010	20
87240651A	027	17	88650131A	010	3	887132858	01B	14	93040341A	005	6
87310051A	013	13	88650131A	10A	18	887132861	01A	15	93040351A	004	16
87511281A	028	14	88650141A	021	40	887132870	01A	10	93040521A	026	18
87511461B	010	24	88650481A	32A	6	887132877	01A	11	93041231A	10A	8
87511461B	10A	19	88650511A	013	1	887132878	001	5	93050051A	011	26
87611022B	029	2	887005665	001	10	887132906	001	18	93050062B	011	28
87711381A	023	15	887005749	001	14	887132951	01B	11	93050071A	013	17
87711381A	024	17	887130869	001	15	887133211	01B	5	93050121A	28A	5
87711391A	025	21	887130870	001	16	887133219	01A	20	93410061A	031	8
87720061B	029	11	887130944	001	19	887133220	01B	16	93410101A	029	14
88110121A	002	17	887131010	01A	2	887133334	001	11	93410123A	031	28
88110231A	030	19	887131058	01B	7	887133367	001	8	93783152A	011	18
88110341A	012	7	887131062	01B	9	887133394	001	21	938233075	005	17
88110541A	26A	7	887131068	01B	2	887133497	01A	1	942470014	011	12
88110581A	016	12	887131071	01B	10	887133521	01A	21	942470014	10A	3
88110781A	019	41	887131072	01B	1	887651000	001	13	979000252	01C	1
88120011A	004	19	887131074	01B	4	887651005	001	13	979000253	01C	2
88210031A	008	11	887131515	01B	6	887651006	001	13	979000254	01C	3
88440251A	033	32	887131749	01A	13	887651298	001	3	979000255	01C	4



CODE	NO. TABLE	POS.
979000256	01C	5



Ducati Motor Holding S.p.A.

Uffici Commerciali Amministrativi:

Via A. Cavalieri Ducati n. 3

40132 Bologna, Italy

Telefono 051 6413111

Fax 051 406580

Internet www.ducati.com